



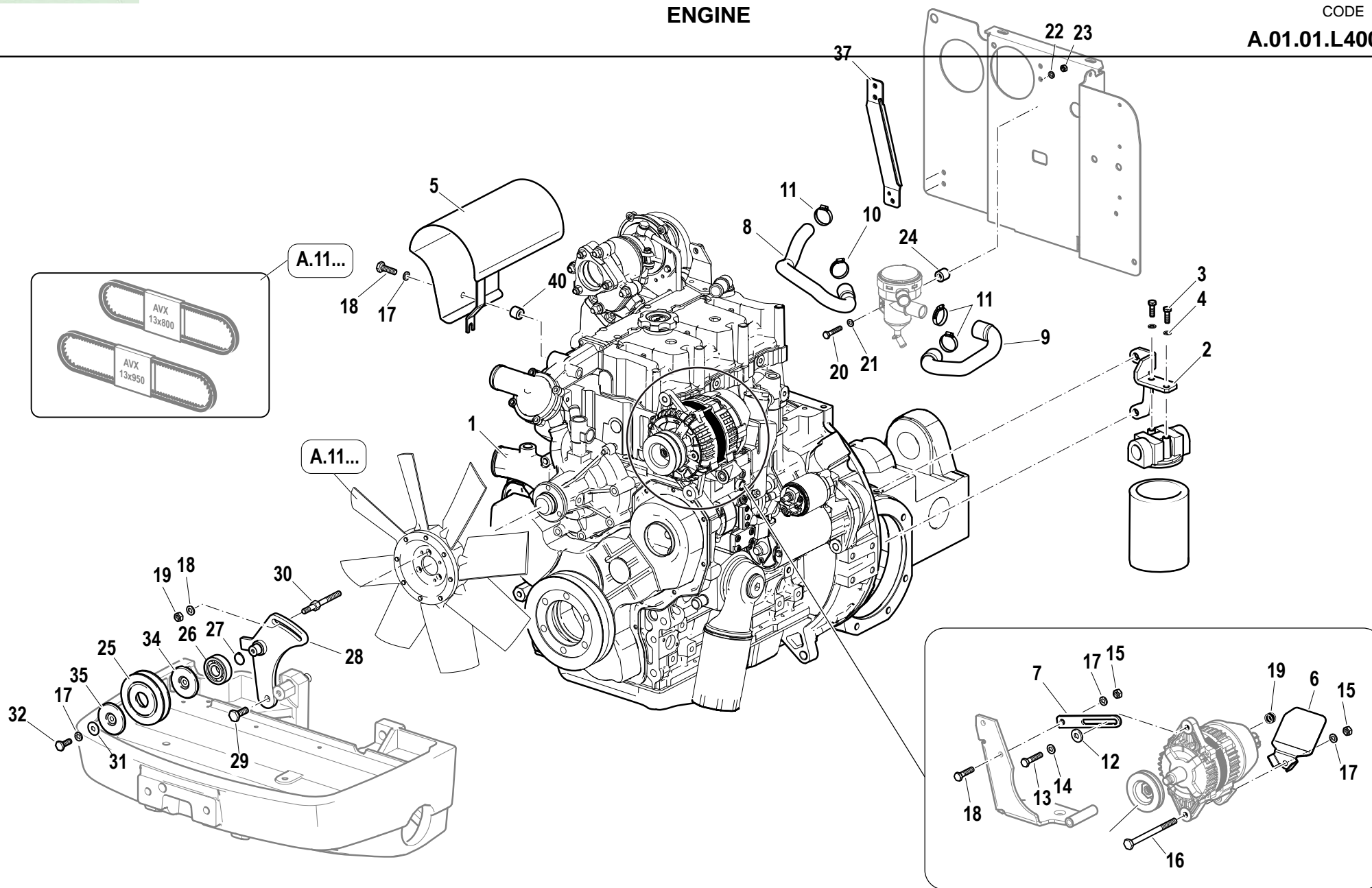
Code	Description	Notes
A.01.01.L40023_0	ENGINE	Power: 60 CV
A.02.01.L40023_0	ENGINE CONTROLS	
A.03.01.L40023_0	RADIATOR	
A.04.01.L40023_0	AIR FILTER	
A.05.01.L40023_0	FUEL TANK	
A.06.01.L40023_0	MUFFLER	
B.01.01.L40023_0	FRONT SUPPORT	
B.01.02.L40023_0	FRONT SUPPORT (CONFORT CAB.)	
B.01.03.L40023_0	FRONT SUPPORT	
B.02.01.L40023_0	BONNET	
B.03.01.L40025_0	FRONT MUDGUARDS	
B.03.02.L40025_0	FRONT MUDGUARDS (VERSION WITH CAB)	
B.04.01.L40025_0	BOARDS	
B.05.01.L40025_0	REAR MODGUARDS	
B.07.01.L40025_0	PLATES AND STICKERS	
B.07.02.L40025_0	PLATES AND STICKERS	
B.07.03.L40025_0	PLATES AND STICKERS	
B.08.01.L40025_0	DASHBOARD	
B.08.02.L40025_0	DASHBOARD	
B.08.03.L40025_0	DASHBOARD	
B.09.01.L40025_0	SEAT SUPPORT / GEAR LEVERS COVER	
B.09.02.L40025_0	SEAT SUPPORT / GEAR LEVERS COVER	
C.01.01.L40025_0	FRONT AXLE	
C.01.02.L40025_0	FRONT AXLE	
C.02.01.L40025_0	CENTRAL SECTION	
C.03.01.L40025_0	REAR AXLE	
D.01.01.L40025_0	FRONT TRANSMISSION	
D.02.01.L40023_0	CLUTCH	
D.03.01.L40023_0	CLUTCH CONTROLS	
D.04.01.L40025_0	BRAKE	
D.05.01.L40025_0	BRAKES CONTROLS	
D.06.01.L40025_0	PARKING BRAKE	
D.07.01.L40023_0	GEARS MAIN SHAFT / GEARS	
D.08.01.L40023_0	GEARS TRANSMISSION SHAFT / GEARS	



Code	Description	Notes
D.09.01.L40023_0	COUNTERSHAFT AND CORRESPONDING GEARS	
D.10.01.L40023_0	GEARBOX CONTROLS	
D.10.02.L40023_0	GEARBOX CONTROLS	
D.11.01.L40025_0	REAR TRANSMISSION	
D.12.01.L40023_0	REDUCTION GEARS	
D.13.01.L40023_0	DIFFERENTIAL LOCK	
D.14.01.L40023_0	POWER TAKE-OFF	
D.14.02.L40023_0	PTO WITH FRAME SLIDER AND HOOK	
D.15.01.L40023_0	POWER TAKE-OFF	
D.16.01.L40023_0	POWER TAKE-OFF CONTROLS	
D.16.02.L40023_0	POWER TAKE-OFF CONTROLS (VERSION WITH CAB)	
E.01.01.L40023_0	FRONT ELECTRICAL SYSTEM	
E.03.01.L40023_0	REAR ELECTRICAL SYSTEM	
E.03.02.L40023_0	REAR ELECTRICAL SYSTEM (VERSION WITH CAB)	
E.04.01.L40023_0	ENGINE ELECTRIC SYSTEM (SELF CLEANING SYSTEM)	
F.01.01.L40025_0	IMPIANTO IDRAULICO DOPPIA ASPIRAZIONE OLIO	
F.01.02.L40025_0	IMPIANTO IDRAULICO DOPPIA ASPIRAZIONE OLIO	
F.03.01.L40025_0	IMPIANTO IDRAULICO STERZO	
F.04.01.L40023_0	PTO /DIFFERENTIAL LOCK HYDR. SYSTEM	
L.01.01.L40023_0	RAISE/LOWER LIFT	
L.02.01.L40025_0	CONTROL VALVES	
L.02.02.L40025_0	CONTROL VALVES	
L.02.03.L40025_0	CONTROL VALVES	
L.02.04.L40025_0	CONTROL VALVES	
L.02.05.L40025_0	CONTROL VALVES	
L.02.06.L40025_0	CONTROL VALVES	
L.02.07.L40025_0	CONTROL VALVES	
L.02.08.L40025_0	CONTROL VALVES	
M.02.01.L40025_0	LEVERS DISTRIBUTORS	
T.01.01.L40025_0	IMPLEMENTS ATTACHMENT - STANDARD	
T.01.02.L40025_0	ATTACHMENT - ARMS WITH ADJUSTABLE HOOKS QUICK	
T.03.01.L40023_0	PULL HOOK - STANDARD	
T.03.03.L40023_0	SLIDER FRAME WITH EEC HOM. TOW HOOK	
T.03.04.L40023_0	SLIDER FRAME WITH CUNA TOW HOOK	



Code	Description	Notes
W.01.01.L40023_0	WHEELS AND TYRES 7.50-16	
W.01.02.L40023_0	WHEELS AND TYRES 250/80-18	
W.01.04.L40023_0	WHEELS AND TYRES 300/65-18	
W.01.05.L40023_0	WHEELS AND TYRES 260/70-R20	
W.01.06.L40023_0	WHEELS AND TYRES 11.5/80-15.3	
W.01.07.L40023_0	WHEELS AND TYRES 31x15.5-15	
W.01.08.L40023_0	WHEELS AND TYRES 31X15.50-15	
W.01.09.L40023_0	WHEELS AND TYRES 8.25-16	
W.01.10.L40023_0	WHEELS AND TYRES 320/65R18	
W.01.11.L40023_0	WHEELS AND TYRES 31x13.50-15	
Y.01.01.L20003_0	FRAME BF8B	
Y.01.02.L20003_0	FRONT GLASS	
Y.01.03.L20003_0	REAR GLASS	
Y.01.04.L20003_0	DOOR	
Y.01.05.L20003_0	UNDER-ROOF - AIR CONDITIONING - HEATING	
Y.01.05.L20003_1	UNDER-ROOF - AIR CONDITIONING - HEATING	
Y.01.06.L20003_0	TOP - AIR CONDITIONING - HEATING	
Y.01.06.L20003_1	TOP - AIR CONDITIONING - HEATING	
Y.01.07.L20003_0	TOP AND UNDER-ROOF FOR CAB	



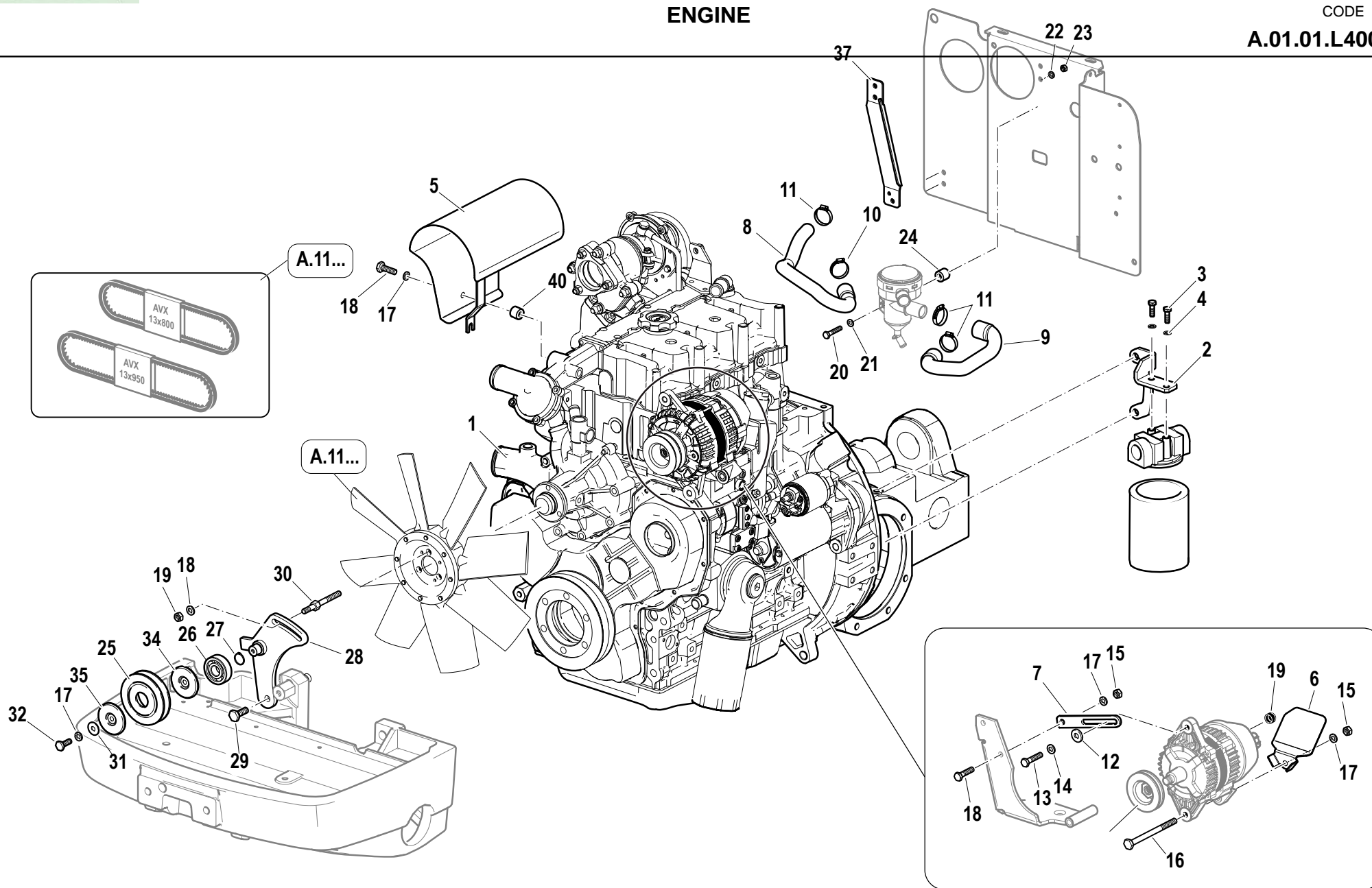
Pos.	Code	Q.ty	Description	Notes
11	30021125	3	CLAMP 16-27	
10	30021140	1	CLAMP 25-40	
20	31111097	2	SCREW TE M6X45 UNI 5737 8G	
32	31112148	1	SCREW TE M8X18 UNI 5739 8G	
18	31112151	4	SCREW TE M8X25 UNI 5739 8G	
13	31112152	1	SCREW TE M8X30 UNI 5739 8G	
16	31112174	1	SCREW TE M8X110 UNI 5737 8.8	
29	31112210	3	SCREW TE M10X20 UNI 5739	
3	31112212	2	SCREW TE M10X35 UNI 5739	
23	31211060	2	HEXAGONAL NUT M8	
15	31211080	4	NUT M8	
21	31411064	2	WASHER 6,4x12,5	
31	31411090	1	WASHER 9x24	
14	31421083	1	WASHER	
27	35111047	1	SEEGER RING I 47 DIN 472	
26	37112175	1	BEARING 6303-2RS (17X47X14)SKF	
1	41X70002	1	MOTORE VM D753TE3.22A	
36	56171996	1	SPACER D.14x8,5/13	
24	56172080	2	SPACER D.18x9/15	
6	561A0579	1	SHIELD	
7	561A0940Z	1	BRACKET	
2	561A2954	1	STAF.FIX FILT.ASP.K60 V65 grz	
33	561A3003	1	STAFFA FISS.PREF.POMP.ELET.V65	
30	563A0265	1	SCREW M8x90	
35	563A2103	1	SCOD.PARAPOLV.EST.TEND.55-65	
34	563A2926	1	SCOD.PARAP.INT.TEND.65-75	
25	563A2927	1	PULLEY	
9	580A0788	1	PIPE	
19	58170866	1	NUT COVER	
8	58177400	1	OIL PIPE	
5	590A0359	1	GUARD	
28	590A2929F	1	BRACKET	
22	F0843570000	2	WASHER 6	
17	F0843643060	8	WASHER 8	

SERIAL

ENGINE
Power: 60 CV

CODE REV

A.01.01.L40023_0



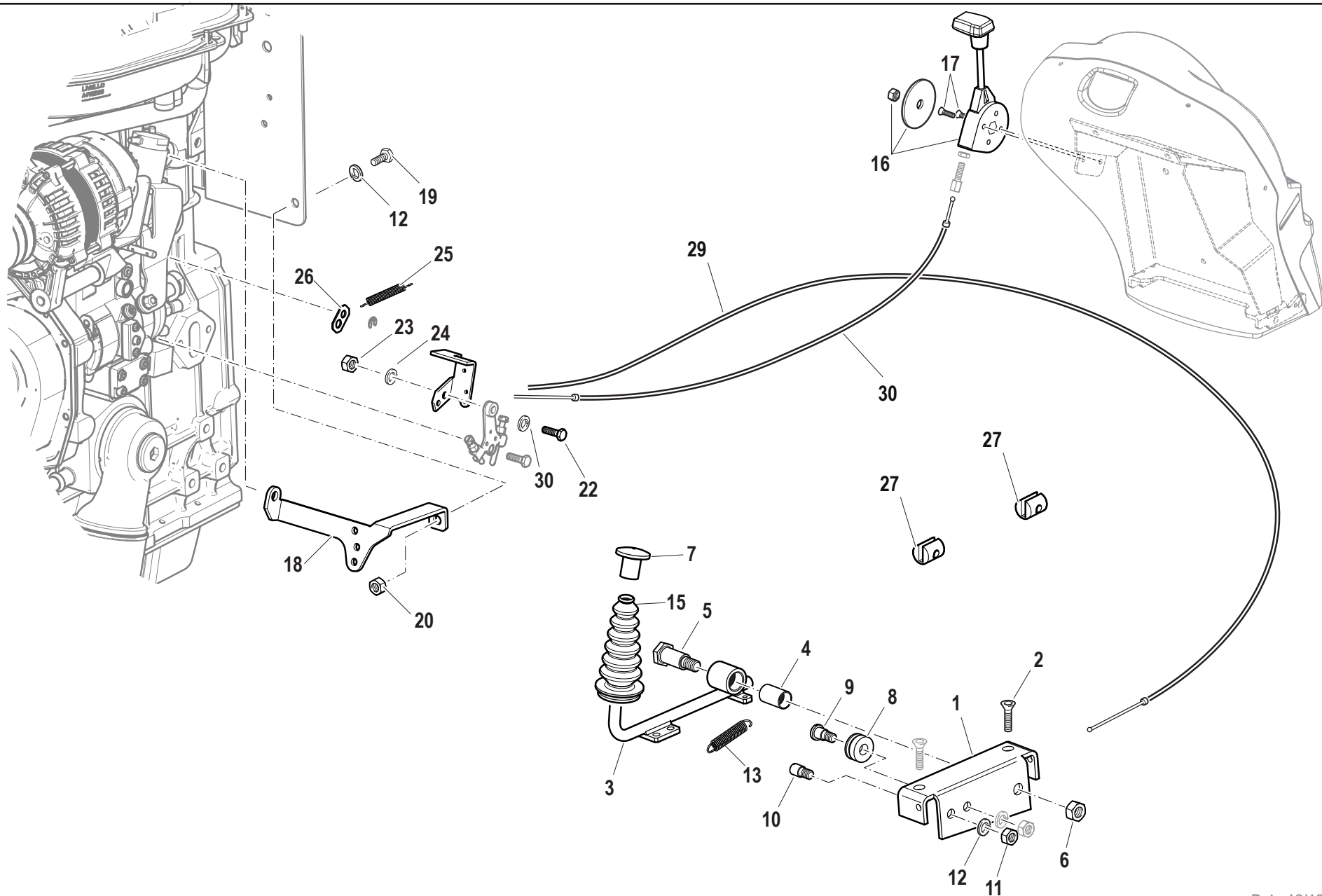
Pos.	Code	Q.ty	Description	Notes
12	F0843711000	1	WASHER D.24x8,5/4	
4	F0843755000	2	WASHER 10 DIN 128-B	

SERIAL

ENGINE
Power: 60 CV

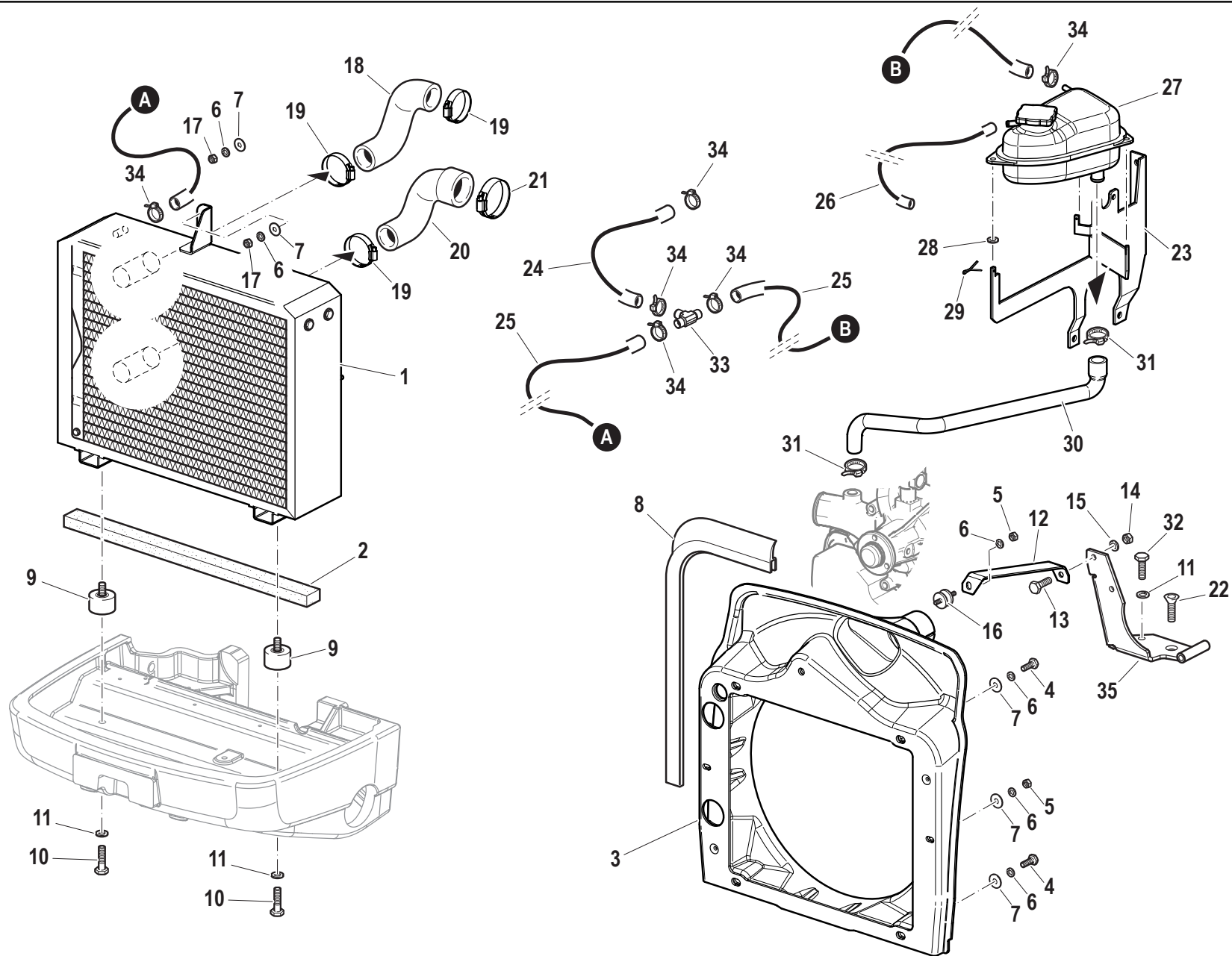
CODE REV

A.01.01.L40023_0



A.02.01.L40023_0.ai

Pos.	Code	Q.ty	Description	Notes
1	59077107	1	BRACKET	
2	31132565	2	SCREW TSVEI M8x16 UNI 5933	
3	59077101	1	ACCEL. PEDAL	
4	30030016	1	BUSHING 14x25	
5	56377112	1	SCREW M10x41,5	
6	31241101	1	SELFLOCK NUT M10	
7	57377110	1	FOOT REST	
8	57377106	1	PULLEY	
9	56375436	1	HINGE PIN	
10	56177648	1	GUIDE PIN	
11	31231080	2	NUT M8	
12	F0843643060	2	WASHER 8	
13	58073227	2	SPRING	
15	55277307	1	BELLOWS	
16	P238106000000	1	ACCELERATOR	
17	31132562	2	SCREW TSVEI M6X16 UNI 5933	
18	561A3316	1	BRACKET	
19	31112090	1	SCREW TE M6X16 UNI 5739 8G	
20	31211080	1	NUT M8	
21	561A3001	1	BRACKET	
22	31112093	1	SCREW TE M6X20	
23	31211060	1	HEXAGONAL NUT M8	
24	F0843570000	1	WASHER 6	
25	560A0494	1	PLATE	
26	580A0495	1	RESTORING SPRING	
27	561A3106	2	TERMINAL	
28	580A3114	1	CABLE	
29	580A3097	1	CABLE	
30	31411064	1	WASHER 6,4x12,5	



Pos.	Code	Q.ty	Description	Notes
1	581A2354	1	RADIATOR	
2	F0256910009	1	FOAM PROFILE 5X15	
3	573A1150	1	DUCT	
4	F0862129000	4	SCREW M6X18 UNI 5739 8.8	
5	31211060	2	HEXAGONAL NUT M8	
6	F0843570000	6	WASHER 6	
7	31411066	6	WASHER 6,6x18	
8	F0256809050	1	GASKET	
9	581A2792	2	SILENT-BLOCK	
10	31112210	2	SCREW TE M10X20 UNI 5739	
11	F0843755000	2	WASHER 10 DIN 128-B	
12	561A0083	1	FIXING BRACKET	
13	31112151	1	SCREW TE M8X25 UNI 5739 8G	
14	31211080	1	NUT M8	
15	F0843643060	1	WASHER 8	
16	30010250	1	SILENT BLOCK	
17	F0814545000	2	NUT M6	
18	55174632	1	SLEEVE	
19	30021150	3	CLAMP 35-50	
20	55177639	1	SLEEVE	
21	30021160	1	CLAMP 40-60	
23	561A3004	1	RETAINER	
24	580A0606	1	PIPE R6 (8x14) L=160	
25	58075873	2	VENT HOSE	
26	F0256112009	1	PIPE	
27	58093053	1	CUP	
28	F0824022000	3	SPECIAL GASKET D.8,4X12/1	
29	F0810510000	3	SPLIT PIN A2,0X20 UNI 1336	
30	580A1040	1	PIPE	
31	30021125	2	CLAMP 16-27	
33	58170339	1	PIPE FITTING	
34	30021116	6	CLAMP 5,6-16 W2	

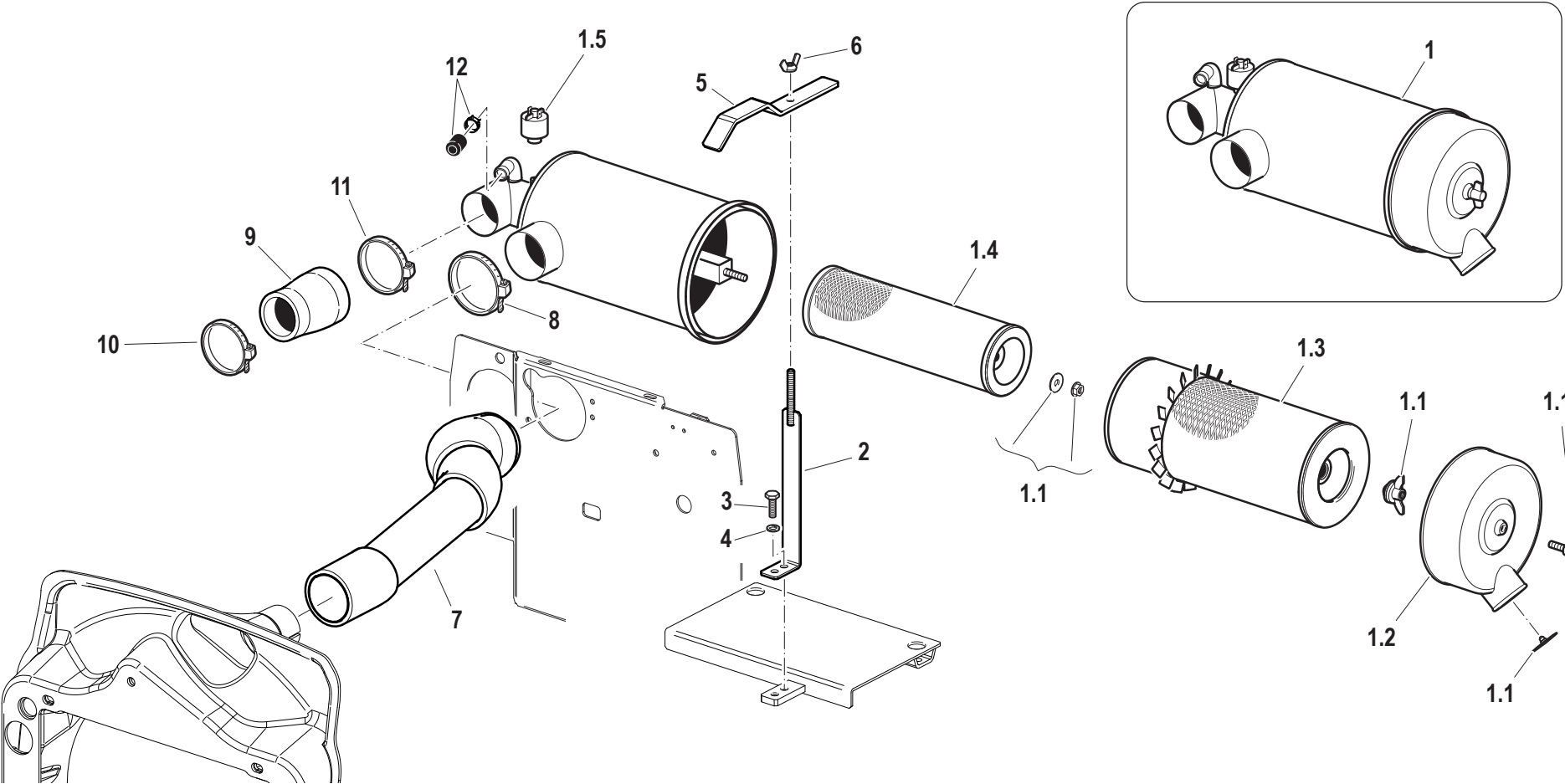
SERIAL

RADIATOR

CODE REV

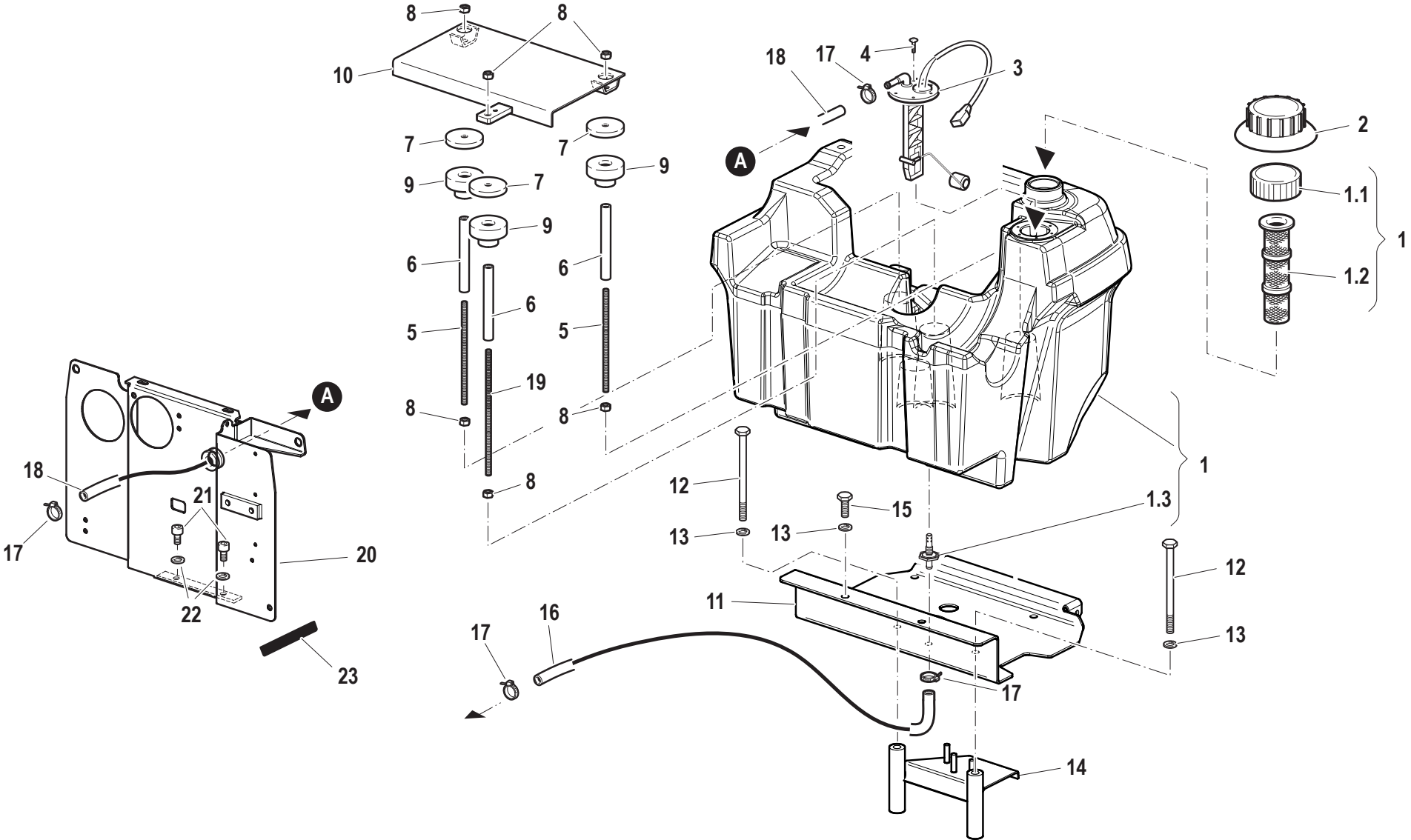
A.03.01.L40023_0

AIR FILTER



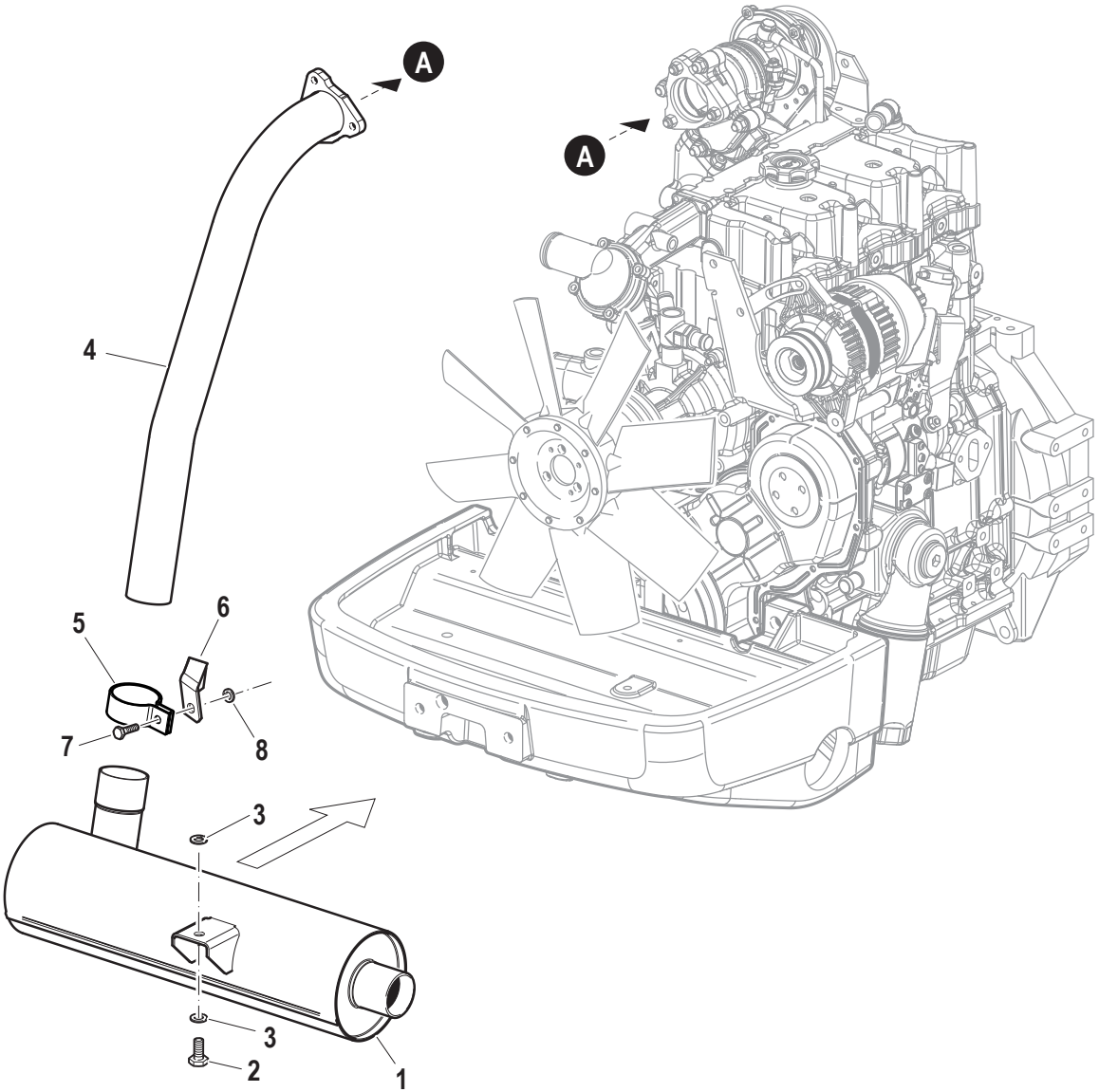
Pos.	Code	Q.ty	Description	Notes
1	58176755	1	AIR FILTER	
1,1	59900353	1	KIT	
1,2	59900347	1	COVER	
1,3	58171028	1	CARTOUCHE	
1,4	58171027	1	CARTOUCHE	
1,5	58175122	1	DIGITAL INSTRUMENT	
2	590A0080	1	ROD	
3	31112149	1	SCREW TE M8X12 UNI 5739 8G	
4	F0843643060	1	WASHER 8	
5	561A0081	1	FIXING BRACKET	
6	31200501	1	NUT M8	
7	561A3009N	1	SUCTION PIPE	
8	30021180	1	CLAMP 60-80	
9	55174760	1	SLEEVE	
10	30021170	1	CLAMP 50-70	
11	30021180	1	CLAMP 60-80	
12	580A3010	1	SLEEVE	
13	59901340	1	RUBBER PLUG	

FUEL TANK



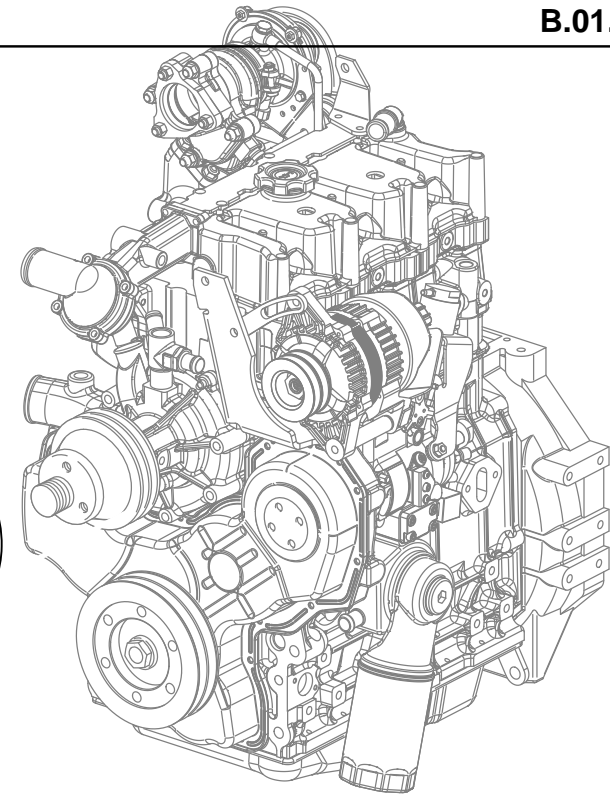
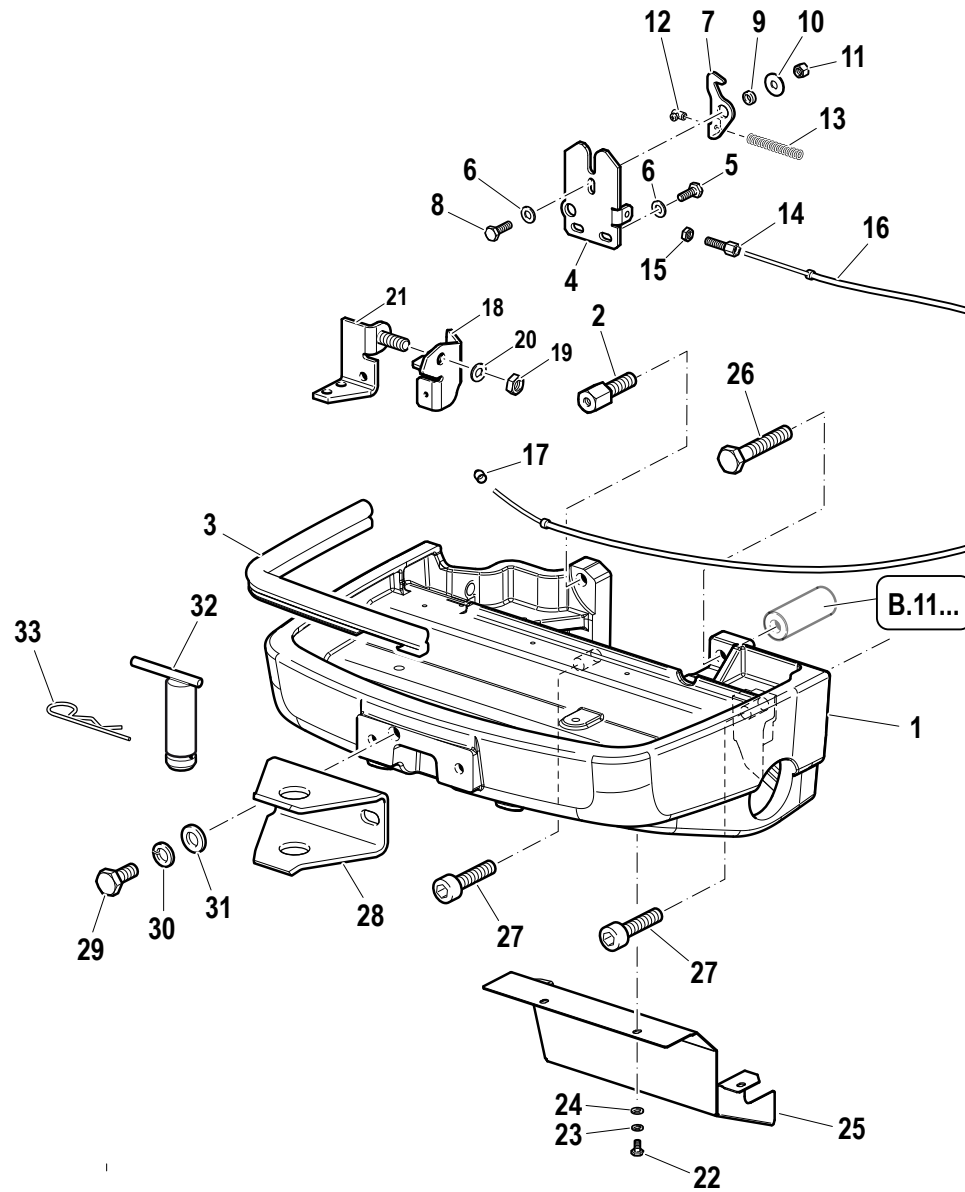
Pos.	Code	Q.ty	Description	Notes
1	552A2272	1	FUEL TANK	
1,1	F0849500001	1	TANK COVER	
1,2	F0849500002	1	FILTER	
2	57371900	1	LINING	
3	58170238	1	ONTROL	
4	F0861867050	6	SCREW M4,2X19 DIN 7981	
5	56077608	2	ROD M8x195	
6	56176696	3	SPACER D.14x9/155,5	
7	56176814	3	SPACER D.55x8/4	
8	31211080	6	NUT M8	
9	58076752	3	STOPPER	
10	59076685	1	BATTERY SUPPORT	
11	590A2945F	1	SUPPORT	
12	31112224	2	SCREW TE M10X130 UNI 5737	
13	F0843755000	4	WASHER 10 DIN 128-B	
14	590A2942	1	BRACKET	
15	31112210	2	SCREW TE M10X20 UNI 5739	
16	580A3013	1	PIPE	
17	30021116	4	CLAMP 5,6-16 W2	
18	580A0607	1	PIPE	
19	56174635	1	ROD	
20	590A2996	1	DIVISION	
21	31112146	2	SCREW TE M8X22 UNI 5739 8G	
22	F0843696000	2	WASHER D.24x8/6	
23	F0256808000	1	FLAT BAND	

MUFFLER



Pos.	Code	Q.ty	Description	Notes
1	58179707	1	EXHAUST SILENCER	
2	31112208	1	SCREW TE M10X16 UNI 5739	
3	F0843755000	2	WASHER 10 DIN 128-B	
4	590A0031	1	EXHAUST	
5	58175121	1	COLLAR	
6	561A0102	1	FIXING BRACKET	
7	31111151	1	SCREW TE M8X16 UNI 5739 8G	
8	F0843643060	1	WASHER 8	

FRONT SUPPORT



Pos.	Code	Q.ty	Description	Notes
1	511A1146	1	SUPPORT	
2	563A0264	1	SMALL COLUMN M14x46	
3	28177274	1	GASCKET RIF.182400153.945	
4	56179625	1	FIXING BRACKET	
5	31112150	2	SCREW TE M8X20 UNI 5739 8G	
6	31411084	3	WASHER 8,4x17	
7	56174658	1	HOOD HOOK	
8	31112151	1	SCREW TE M8X25 UNI 5739 8G	
9	56174659	1	SPACER D.14x9/4,7	
10	31411090	1	WASHER 9x24	
11	31241080	1	HEXAGON SELFLOCK NUT M8	
12	58048002	1	CLAMPING SCREW	
13	F0831065000	1	SPRING	
14	56177656	1	REGISTER	
15	31231080	1	NUT M8	
16	58074831	1	CABLE	
17	58177111	1	SLEEVE	
18	561A1144	1	LEVER	
19	31241081	1	HEXAGON SELFLOCK NUT	
20	31411084	1	WASHER 8,4x17	
21	590A1145	1	LEVER BEARING	
22	31112082	6	SCREW TE M6X12 UNI 5739 8G	
23	F0843570000	6	WASHER 6	
24	31411064	4	WASHER 6,4x12,5	
25	590A0021	1	SHIELD	
26	F0864335020	1	SCREW M14X120 UNI 5737	
27	F0864290010	2	SCREW M14X50 UNI 5931	
28	561A0297	1	SPACER D.30x15/80	
29	56174873	1	TOW HOOK	
30	31112328	2	SCREW TE M14X35 UNI 5739	
31	F0843921030	2	WASHER 14	
32	31411150	2	WASHER 15x28	
33	59075283	1	PIN	
34	F0851497000	1	SPLIT PIN	

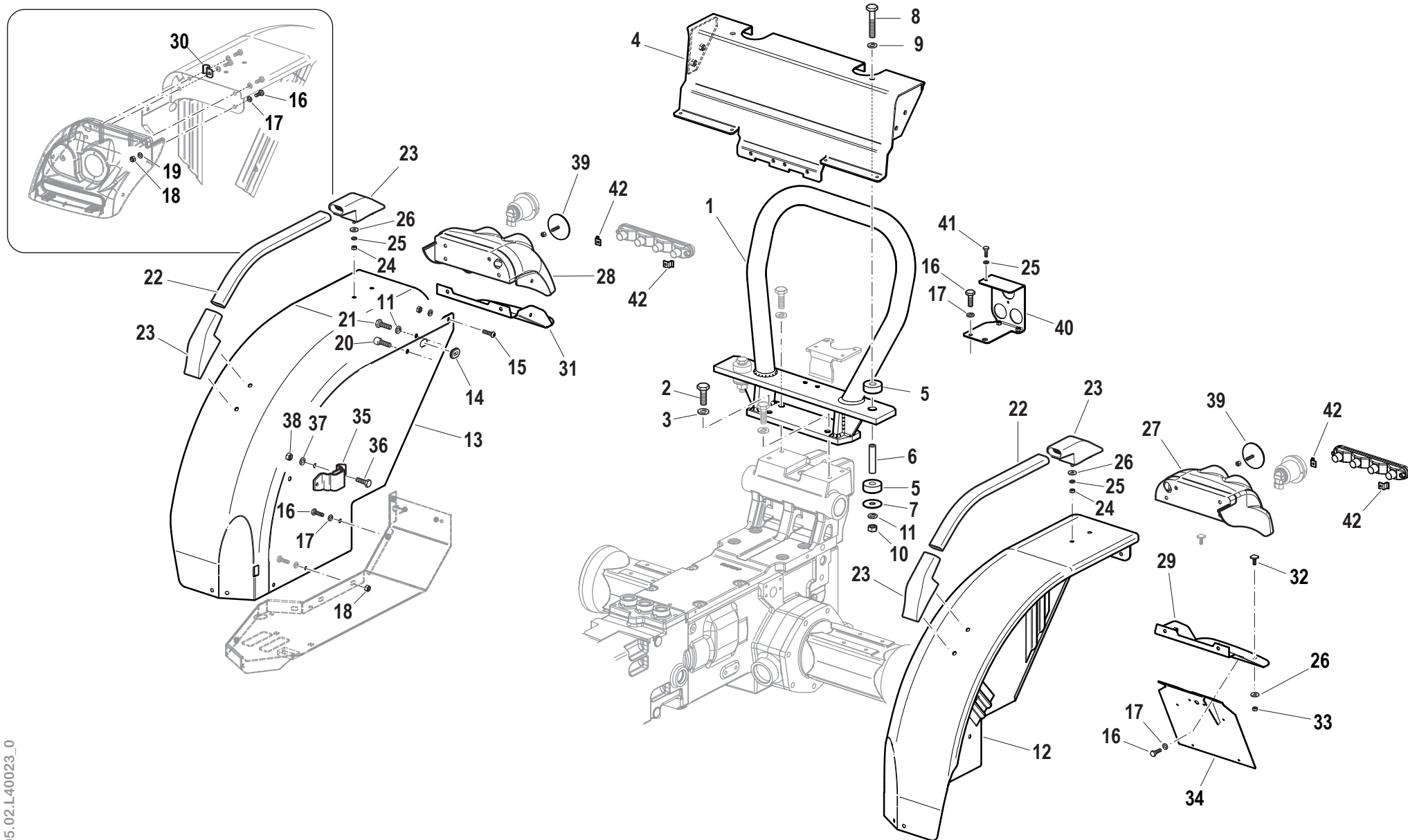
SERIAL

FRONT SUPPORT

CODE REV

B.01.01.L40023_0

FRONT SUPPORT (CONFORT CAB.)



Pos.	Code	Q.ty	Description	Notes
1	511A1146	1	SUPPORT	
2	563A0264	1	SMALL COLUMN M14x46	
3	28177274	1	GASCKET RIF.182400153.945	
4	56179625	1	FIXING BRACKET	
5	31112150	2	SCREW TE M8X20 UNI 5739 8G	
6	31411084	3	WASHER 8,4x17	
7	56174658	1	HOOD HOOK	
8	31112151	1	SCREW TE M8X25 UNI 5739 8G	
9	56174659	1	SPACER D.14x9/4,7	
10	31411090	1	WASHER 9x24	
11	31241080	1	HEXAGON SELFLOCK NUT M8	
12	58048002	1	CLAMPING SCREW	
13	F0831065000	1	SPRING	
14	56177656	1	REGISTER	
15	31231080	1	NUT M8	
16	58074831	1	CABLE	
17	58177111	1	SLEEVE	
18	561A1144	1	LEVER	
19	31241081	1	HEXAGON SELFLOCK NUT	
20	31411084	1	WASHER 8,4x17	
21	590A1145	1	LEVER BEARING	
22	31112082	6	SCREW TE M6X12 UNI 5739 8G	
23	F0843570000	6	WASHER 6	
24	31411064	4	WASHER 6,4x12,5	
25	590A0021	1	SHIELD	
26	F0864335020	1	SCREW M14X120 UNI 5737	
27	F0864290010	2	SCREW M14X50 UNI 5931	
28	561A0268	1	SPACER D.30x15/52	
29	56174873	1	TOW HOOK	
30	31112328	2	SCREW TE M14X35 UNI 5739	
31	F0843921030	2	WASHER 14	
32	31411150	2	WASHER 15x28	
33	59075283	1	PIN	
34	F0851497000	1	SPLIT PIN	

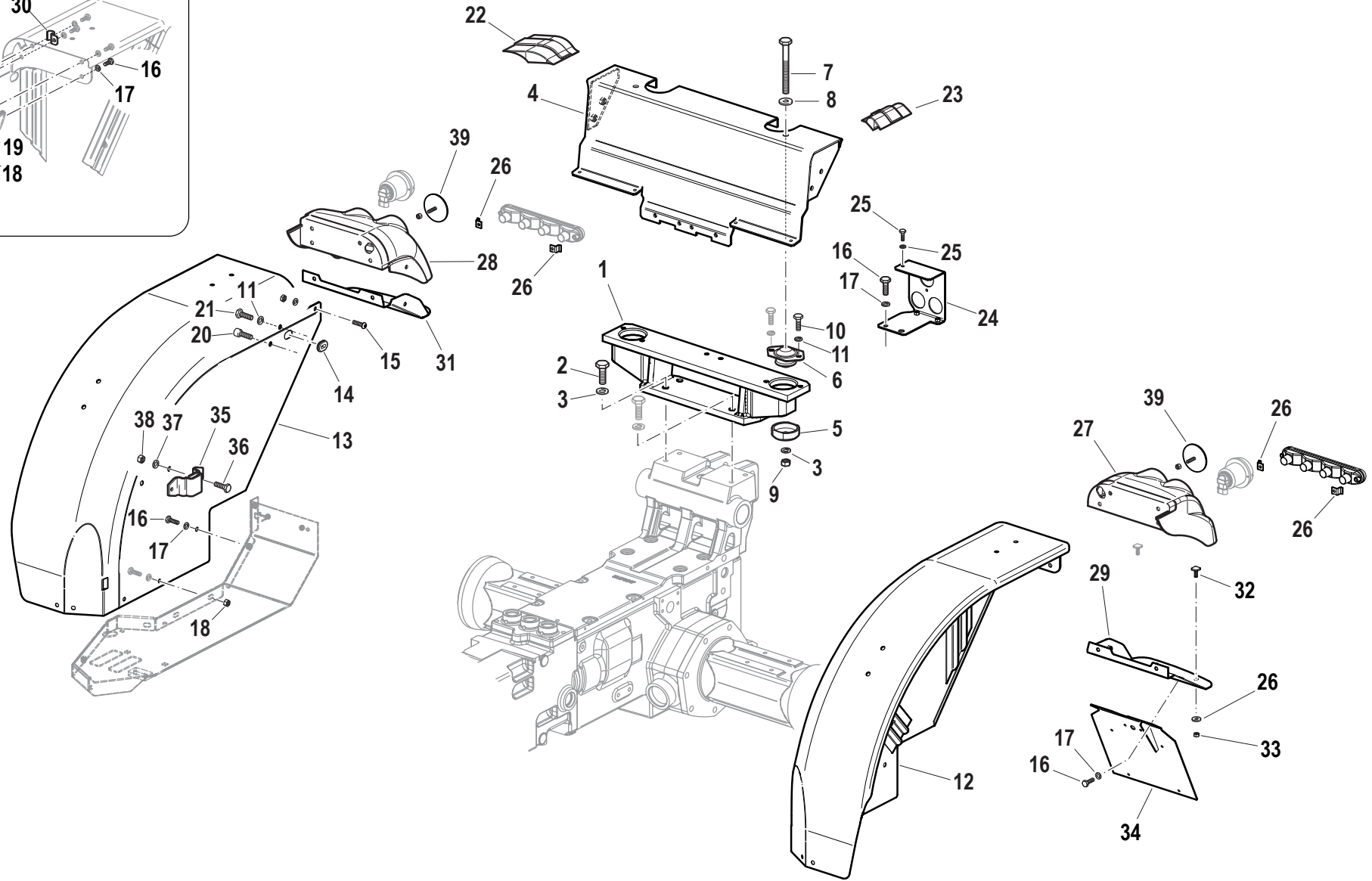
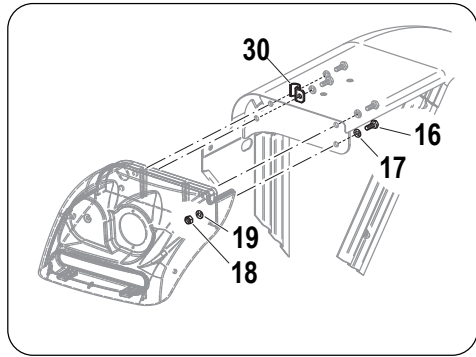
SERIAL

FRONT SUPPORT (CONFORT CAB.)

CODE REV

B.01.02.L40023_0

FRONT SUPPORT



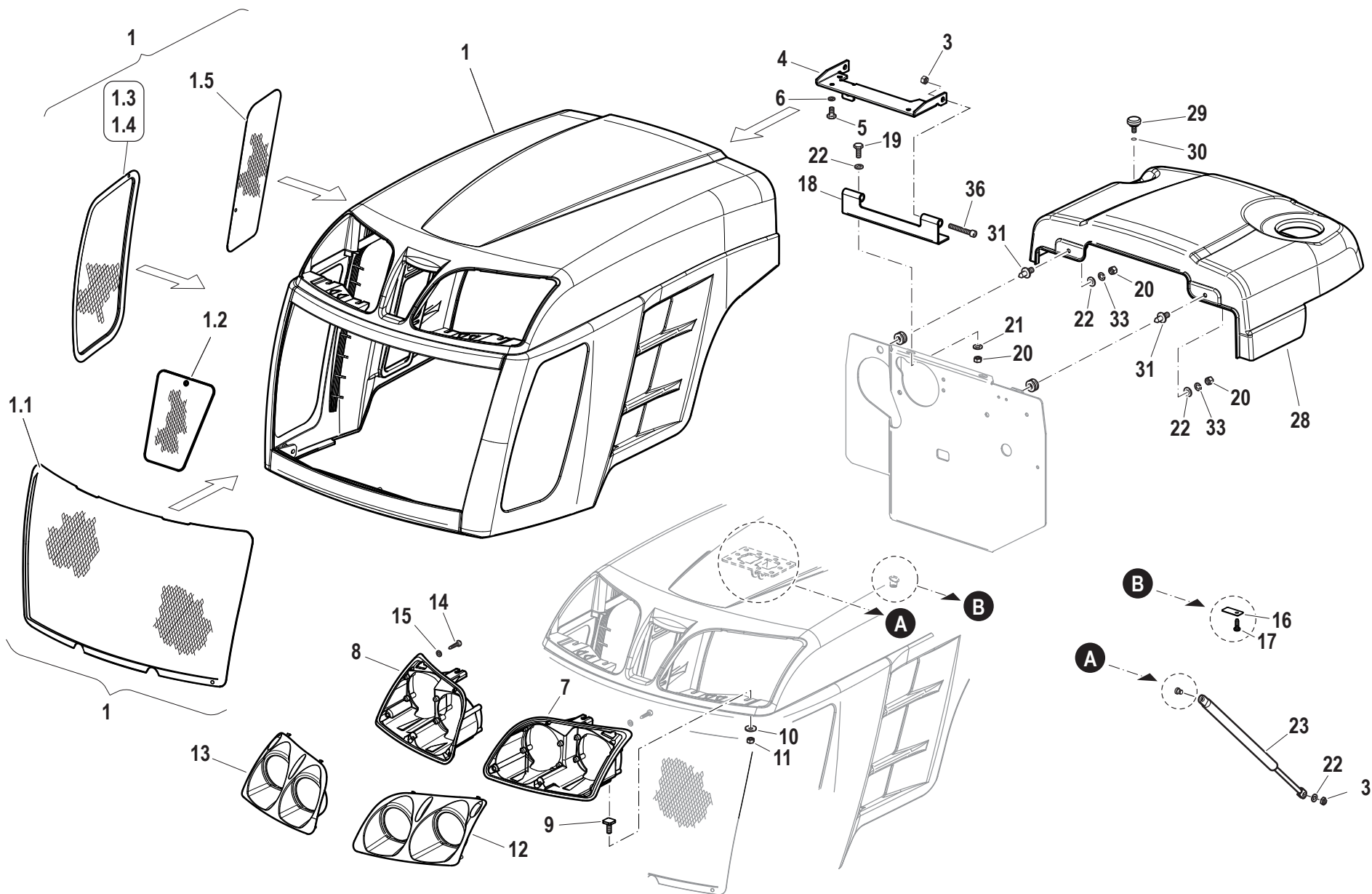
Pos.	Code	Q.ty	Description	Notes
1	511A1146	1	SUPPORT	
2	563A0264	1	SMALL COLUMN M14x46	
3	28177274	1	GASCKET RIF.182400153.945	
4	56179625	1	FIXING BRACKET	
5	31112150	2	SCREW TE M8X20 UNI 5739 8G	
6	31411084	3	WASHER 8,4x17	
7	56174658	1	HOOD HOOK	
8	31112151	1	SCREW TE M8X25 UNI 5739 8G	
9	56174659	1	SPACER D.14x9/4,7	
10	31411090	1	WASHER 9x24	
11	31241080	1	HEXAGON SELFLOCK NUT M8	
12	58048002	1	CLAMPING SCREW	
13	F0831065000	1	SPRING	
14	56177656	1	REGISTER	
15	31231080	1	NUT M8	
16	58074831	1	CABLE	
17	58177111	1	SLEEVE	
18	F0851497000	1	SPLIT PIN	
19	31241081	1	HEXAGON SELFLOCK NUT	
20	31411084	1	WASHER 8,4x17	
21	590A1145	1	LEVER BEARING	
22	31112082	6	SCREW TE M6X12 UNI 5739 8G	
23	F0843570000	6	WASHER 6	
24	31411064	4	WASHER 6,4x12,5	
25	590A0021	1	SHIELD	
26	F0864335020	1	SCREW M14X120 UNI 5737	
27	F0864290010	2	SCREW M14X50 UNI 5931	
28	561A0297	1	SPACER D.30x15/80	
29	56174873	1	TOW HOOK	
30	31112328	2	SCREW TE M14X35 UNI 5739	
31	F0843921030	2	WASHER 14	
32	31411150	2	WASHER 15x28	
33	59075283	1	PIN	

SERIAL

FRONT SUPPORT

CODE REV

B.01.03.L40023_0



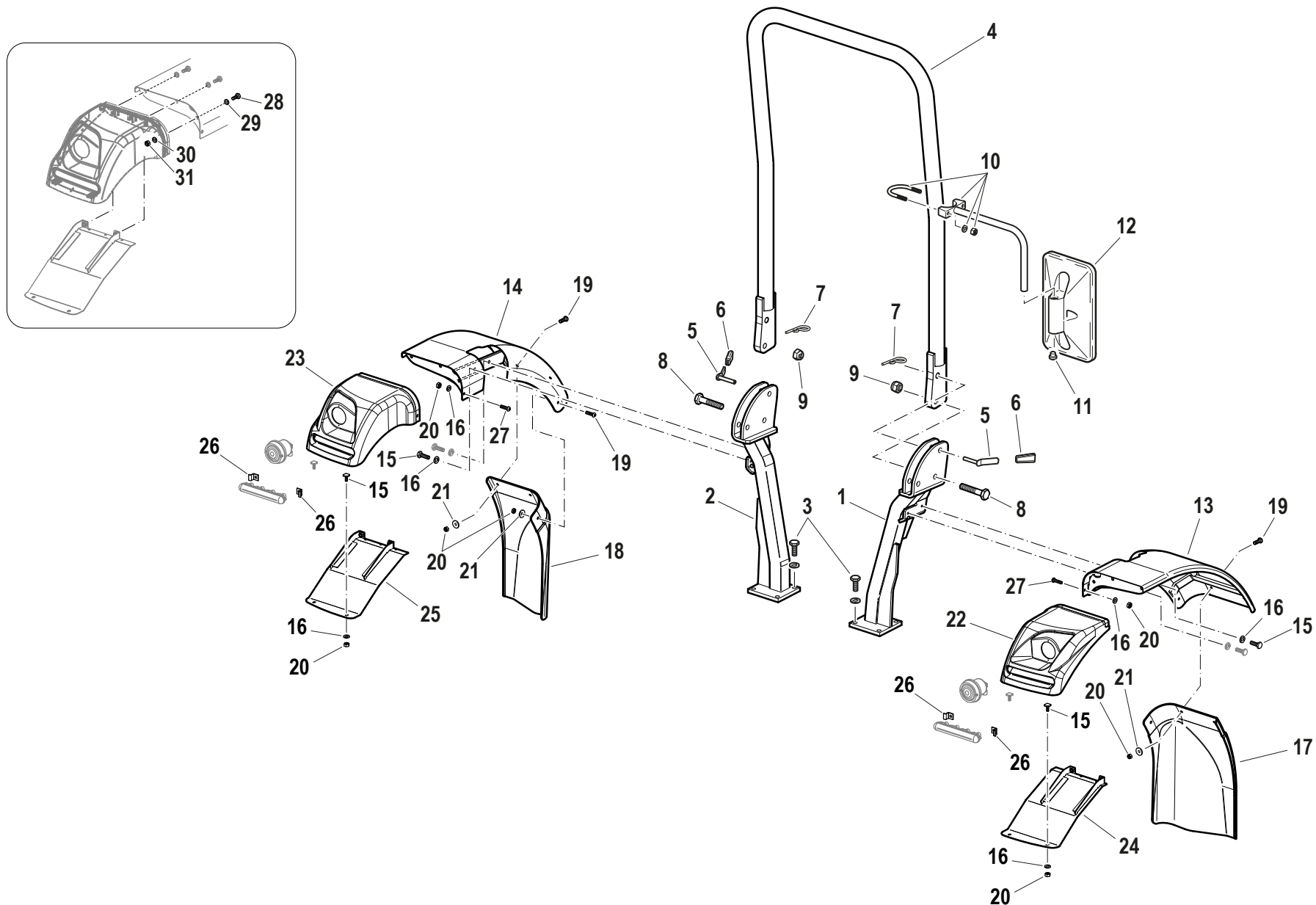
Pos.	Code	Q.ty	Description	Notes
1	59079983V	1	COMPLETE HOOD	
1.1	56079984N	1	FRONT GRILL	
1.2	56079987N	1	GRILLE	
1.2	56079985N	1	FRONT GRILL	
1.3	56079986N	1	FRONT GRILL	
1.5	56079988N	2	SIDE GRILL	
3	31241081	3	HEXAGON SELFLOCK NUT	
4	561A2957	1	CERN.SUPP.INTERR.COFANO V65	
5	31111091	4	SCREW E M6X14 UNI 5739 8G	
6	F0843570000	4	WASHER 6	
7	55279802	1	FRONT GRILLE	
8	55279803	1	FRONT GRILLE	
9	58079929	4	SCREW M6x16 CH.14	
10	31411064	6	WASHER 6,4x12,5	
11	F0814547000	6	SELFLOCK NUT M6	
12	55279866	1	COVER	
13	55279867	1	COVER	
14	31510090	4	RIBBED SCREW TC 2,9x13 U/6954	
15	31413042	4	WASHER 3,2	
16	56179997	4	CONTROL PLATE	
17	F0861830100	4	RIBBED SCREW 3,9X13AB DIN7981	
18	561A0084	1	HOOD HINGE	
19	31112150	2	SCREW TE M8X20 UNI 5739 8G	
20	31211080	4	NUT M8	
21	F0843643060	2	WASHER 8	
22	31411084	5	WASHER 8,4x17	
23	581A0376	1	GAS SPRING	
28	573A3126V	1	COVER	
29	56174835	1	KNOB	
30	35211060	1	SEEGER RING E 6 UNI 7434	
31	561A3068	2	PIN	
33	F0843643060	2	WASHER 8	
36	31152088	2	SCREW TCEI M8X55 UNI 5931	

SERIAL

BONNET

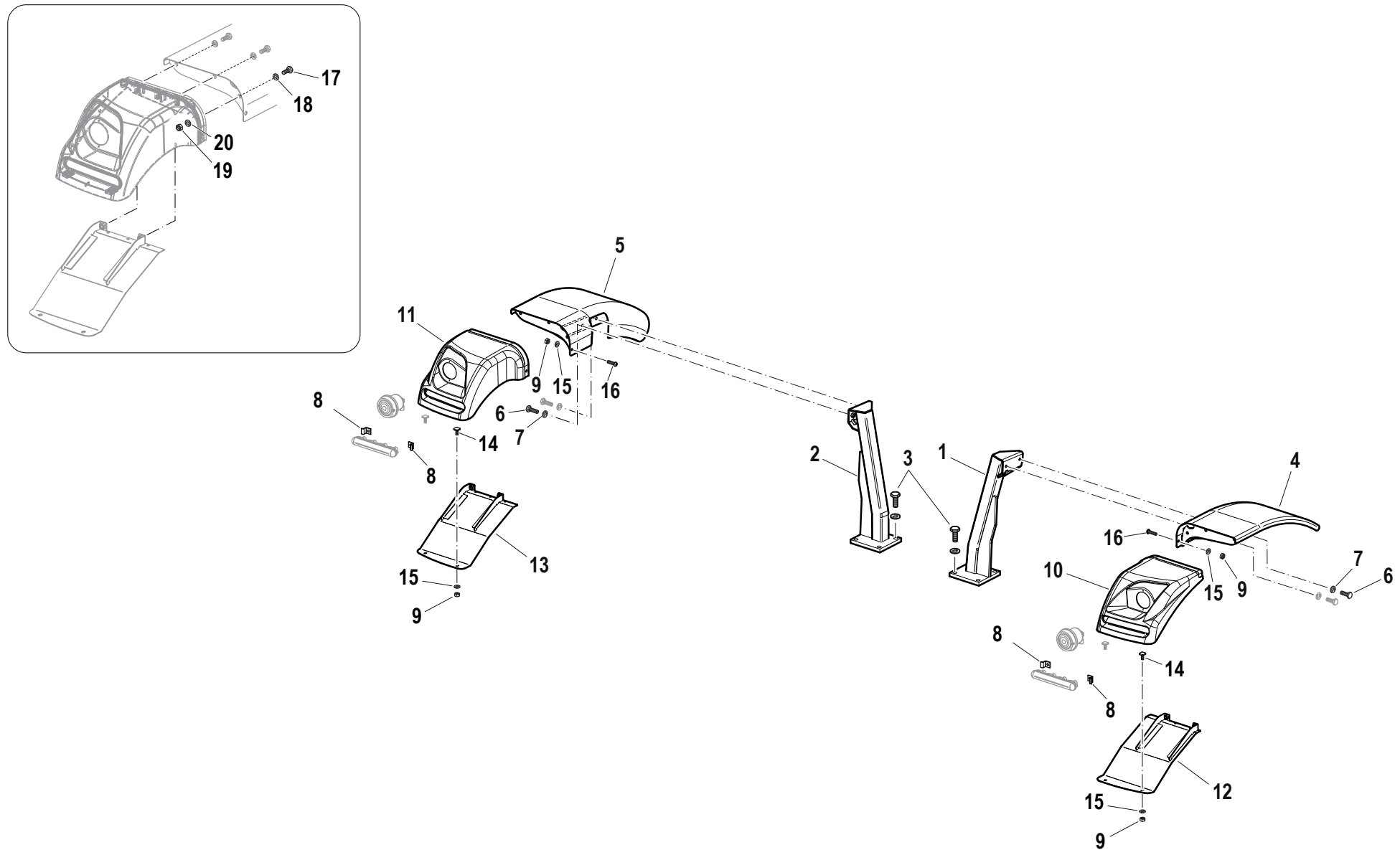
CODE REV

B.02.01.L40023_0

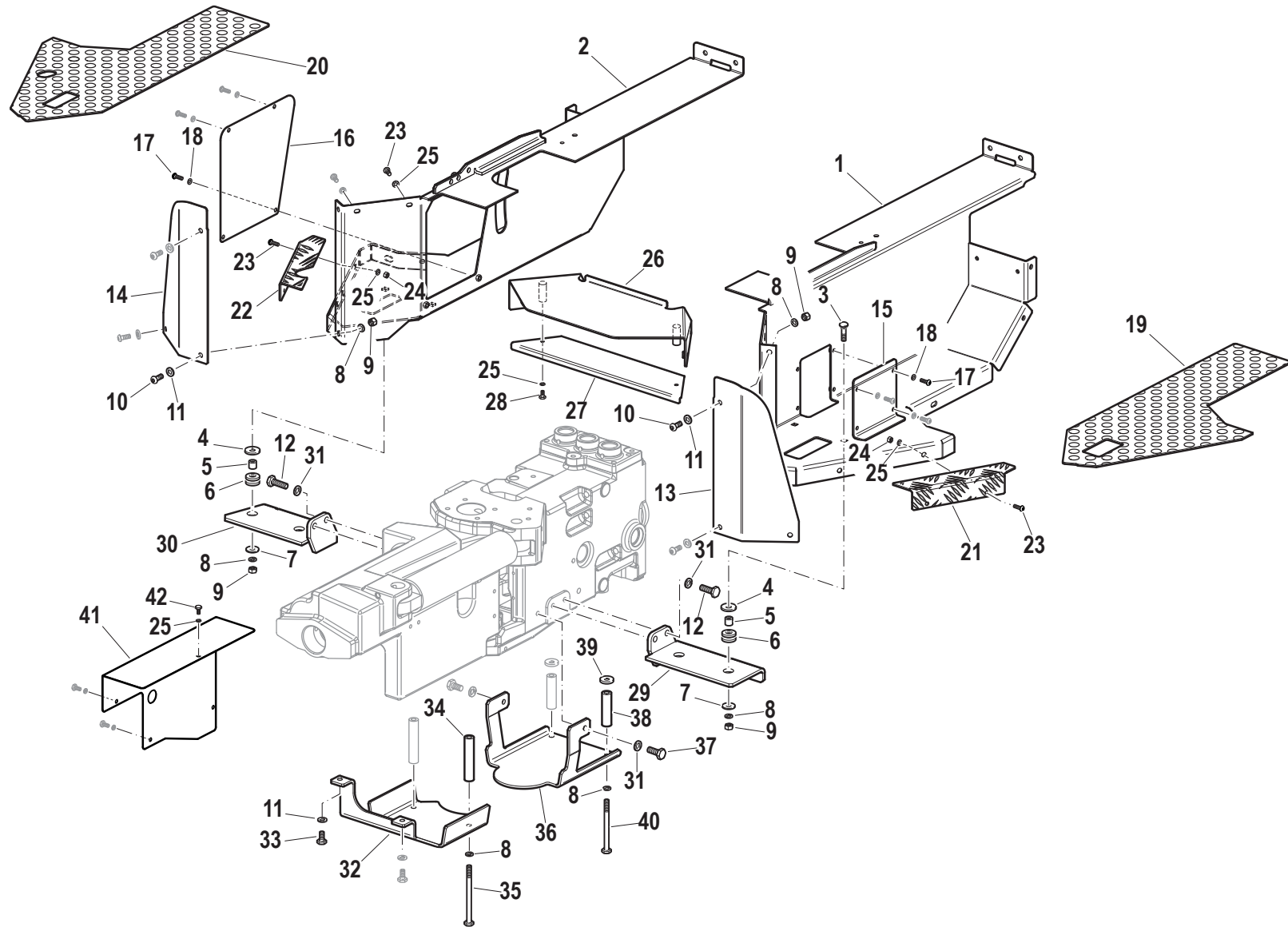


Pos.	Code	Q.ty	Description	Notes
1	59079844	1	LEFT SUPPORTING COLUMN	
2	59079845	1	RIGHT SUPPORTING COLUMN	
3	31112272	8	SCREW TE M12X30 UNI 5739	
4	590A2254	1	ARCO DI SICUR.ANT.K60-V65-L60	
5	59076690	2	HINGE PIN	
6	P917280000000	2	GRIP	
7	P439149000000	2	SPLIT PIN 3,5x72	
8	F0864377000	2	SCREW M16X70 UNI 5737	
9	F0814794000	2	SELFLOCK NUT M16 CL.6	
10	561A2371	1	TERMINAL	
11	590A2372	1	TERMINAL	
12	580A2365	1	REAR VIEW MIRROR	
13	590A1992V	1	LEFT FRONT FENDER	
14	590A1993V	1	RIGHT FRONT FENDER	
15	58079929	8	SCREW M6x16 CH.14	
16	31411064	8	WASHER 6,4x12,5	
17	57379953	1	WING EXTENSION	
18	57379954	1	WING EXTENSION	
19	31121006	6	SCREW TBCEI M6X16 ISO 7380	
20	F0814547000	6	SELFLOCK NUT M6	
21	31411066	12	WASHER 6,6x18	
22	55279804	1	LAMP HOLDER	
23	55279805	1	LAMP HOLDER	
24	590A0849	1	GUARD	
25	590A0848	1	GUARD	
26	56177045	8	RETAINER	
27	F0862479020	2	SCREW M8X16 7380	
28	31111151	6	SCREW TE M8X16 UNI 5739 8G	
29	31411084	6	WASHER 8,4x17	
30	F0843643060	6	WASHER 8	
31	31211080	6	NUT M8	

FRONT MUDGUARDS (VERSION WITH CAB)



Pos.	Code	Q.ty	Description	Notes
1	590A0063	1	WING HOLDER	
2	590A0064	1	WING HOLDER	
3	31112272	8	SCREW TE M12X30 UNI 5739	
4	590A2002V	1	LEFT FRONT FENDER	
5	590A2003V	1	RIGHT FRONT FENDER	
6	31112150	4	SCREW TE M8X20 UNI 5739 8G	
7	F0843643060	4	WASHER 8	
8	56177045	8	RETAINER	
9	F0814547000	8	SELFLOCK NUT M6	
10	55279804	1	LAMP HOLDER	
11	55279805	1	LAMP HOLDER	
12	590A0849	1	GUARD	
13	590A0848	1	GUARD	
14	58079929	8	SCREW M6x16 CH.14	
15	31411064	8	WASHER 6,4x12,5	
16	F0862479020	2	SCREW M8X16 7380	
17	31111151	6	SCREW TE M8X16 UNI 5739 8G	
18	31411084	6	WASHER 8,4x17	
19	31211080	6	NUT M8	
20	F0843643060	6	WASHER 8	



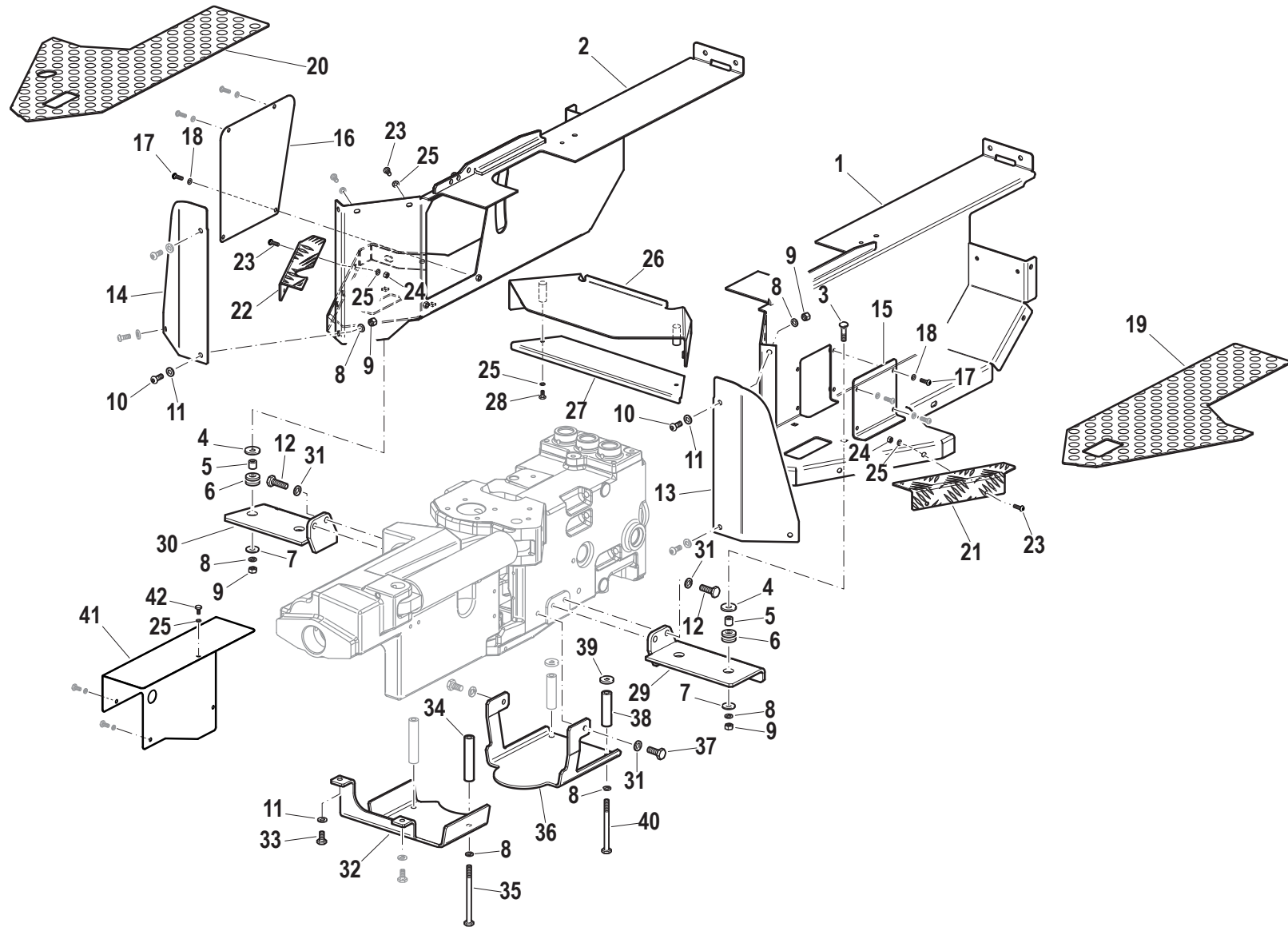
Pos.	Code	Q.ty	Description	Notes
1	590A0325V	1	LEFT FOOTBOARD	
2	590A2940V	1	PEDAL	
3	580A0361	4	SCREW M8x35 8.8	
4	P236331000000	4	SPACER D.30x11/6	
5	56171996	4	SPACER D.14x8,5/13	
6	55175174	4	BLOCK	
7	31411090	4	WASHER 9x24	
8	F0843643060	14	WASHER 8	
9	31211080	4	NUT M8	
10	31112150	4	SCREW TE M8X20 UNI 5739 8G	
11	31411084	4	WASHER 8,4x17	
12	31112219	4	SCREW TE M10X25 UNI 5739	
13	561A0099V	1	FRONT DEFLECTOR	
14	561A0100V	1	FRONT DEFLECTOR	
15	561A0202V	1	COVER	
16	561A2624V	1	COVER	
17	F0862479034	8	SCREW M6X12 7380	
18	31411064	8	WASHER 6,4x12,5	
19	573A0629	1	FOOTREST COVER	
20	573A0630	1	FOOTREST COVER	
21	572A0591	1	ANGULAR	
22	572A0590	1	ANGULAR	
23	31121006	8	SCREW TBCEI M6X16 ISO 7380	
24	31211060	4	HEXAGONAL NUT M8	
25	F0843570000	6	WASHER 6	
26	590A0096V	1	FRONT COVER	
27	561A0336	1	GUARD	
28	31112082	2	SCREW TE M6X12 UNI 5739 8G	
29	59079658	1	SUPPORT	
30	59079654	1	SUPPORT	
31	F0843755000	4	WASHER 10 DIN 128-B	
32	560A0337	1	SHIELD	
33	31111151	2	SCREW TE M8X16 UNI 5739 8G	
34	560A0362	2	SPACER D.18x10/85	

SERIAL

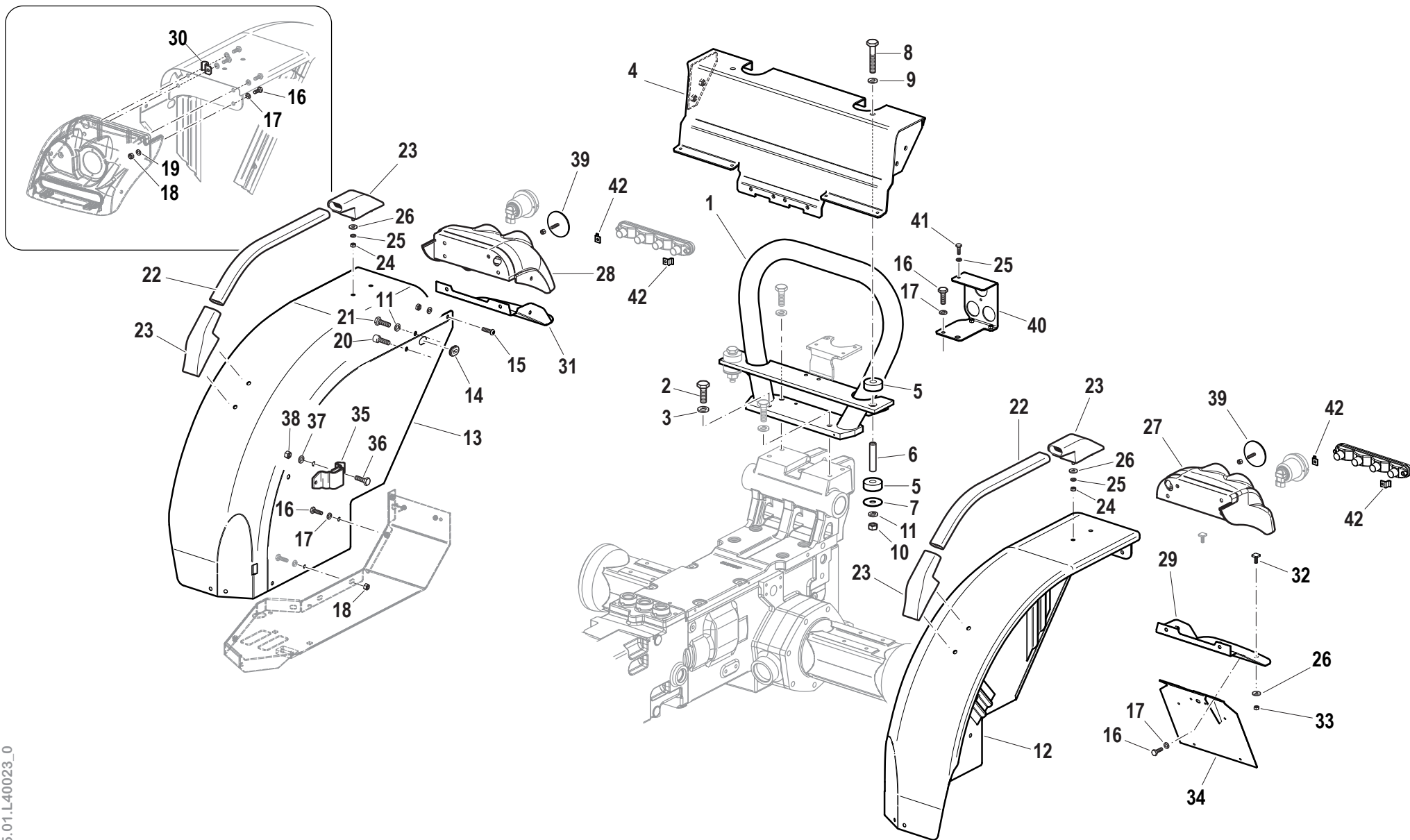
BOARDS

CODE REV

B.04.01.L40025_0



Pos.	Code	Q.ty	Description	Notes
35	F0863079000	2	SCREW M8X105 UNI 5737	
36	560A0338	1	SHIELD	
37	31112208	2	SCREW TE M10X16 UNI 5739	
38	560A0363	2	SPACER D.18x10/64	
39	F0843813000	1	SPACER D.20x10,5/4	
40	31111164	2	SCREW TE M8X90 UNI 5737 8G	



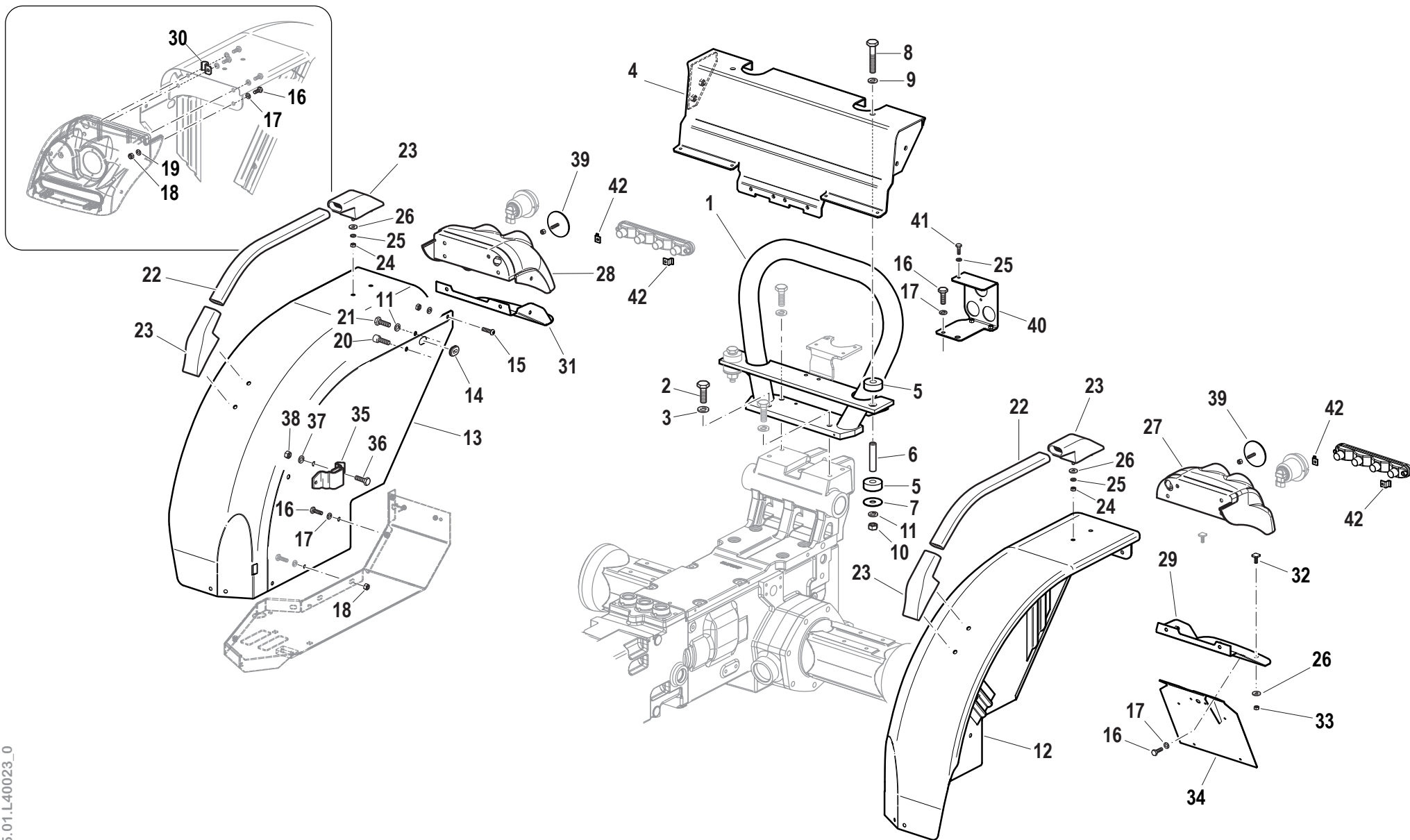
Pos.	Code	Q.ty	Description	Notes
1	59079837	1	SAFETY ROLL BAR	
2	31112264	4	SCREW TE M12X35 UNI 5739	
3	F0843843060	4	WASHER 12	
4	59079897V	1	CROSS MEMBER	
5	581A0660	4	SILENT-BLOCK	
6	561A0433	2	SPACER D.16x12/47	
7	561A0432	2	WASHER 45x11/3	
8	31112216	2	SCREW TE M10X65 UNI 5737	
9	31411104	2	WASHER 10,5x18	
10	31211100	2	NUT M10	
11	F0843755000	2	WASHER 10 DIN 128-B	
12	590A1997V	1	PAR.POS.SX(A1997)VERDE GM2RSAR	
13	590A1996V	1	PAR.POS.DX(A1996)VERDE GM2RSAR	
14	58171901	2	CABLE GLAND 15,5-24-32-2	
15	F0862495010	2	SCREW M8X16 UNI 5931	
16	31111151	8	SCREW TE M8X16 UNI 5739 8G	
17	F0843643060	8	WASHER 8	
18	31211080	6	NUT M8	
19	31411084	6	WASHER 8,4x17	
20	31152098	2	SCREW TCEI M10X20 UNI 5931	
21	31112210	2	SCREW TE M10X20 UNI 5739	
22	561A0025	2	MUDGUARD HANDLE	
23	55072935	4	SUPPORT	
24	31211060	8	HEXAGONAL NUT M8	
25	F0843570000	8	WASHER 6	
26	31411066	8	WASHER 6,6x18	
27	55279806	1	LAMP HOLDER	
28	55279807	1	LAMP HOLDER	
29	590A0057	1	COVER	
30	F0825414000	1	CABLE GLAND 7-15-18,5-2,5	
31	590A0058	1	COVER	
32	58079929	8	SCREW M6x16 CH.14	
33	F0814547000	8	SELFLOCK NUT M6	
34	590A0059	1	LICENCE PLATE HOLD	

SERIAL

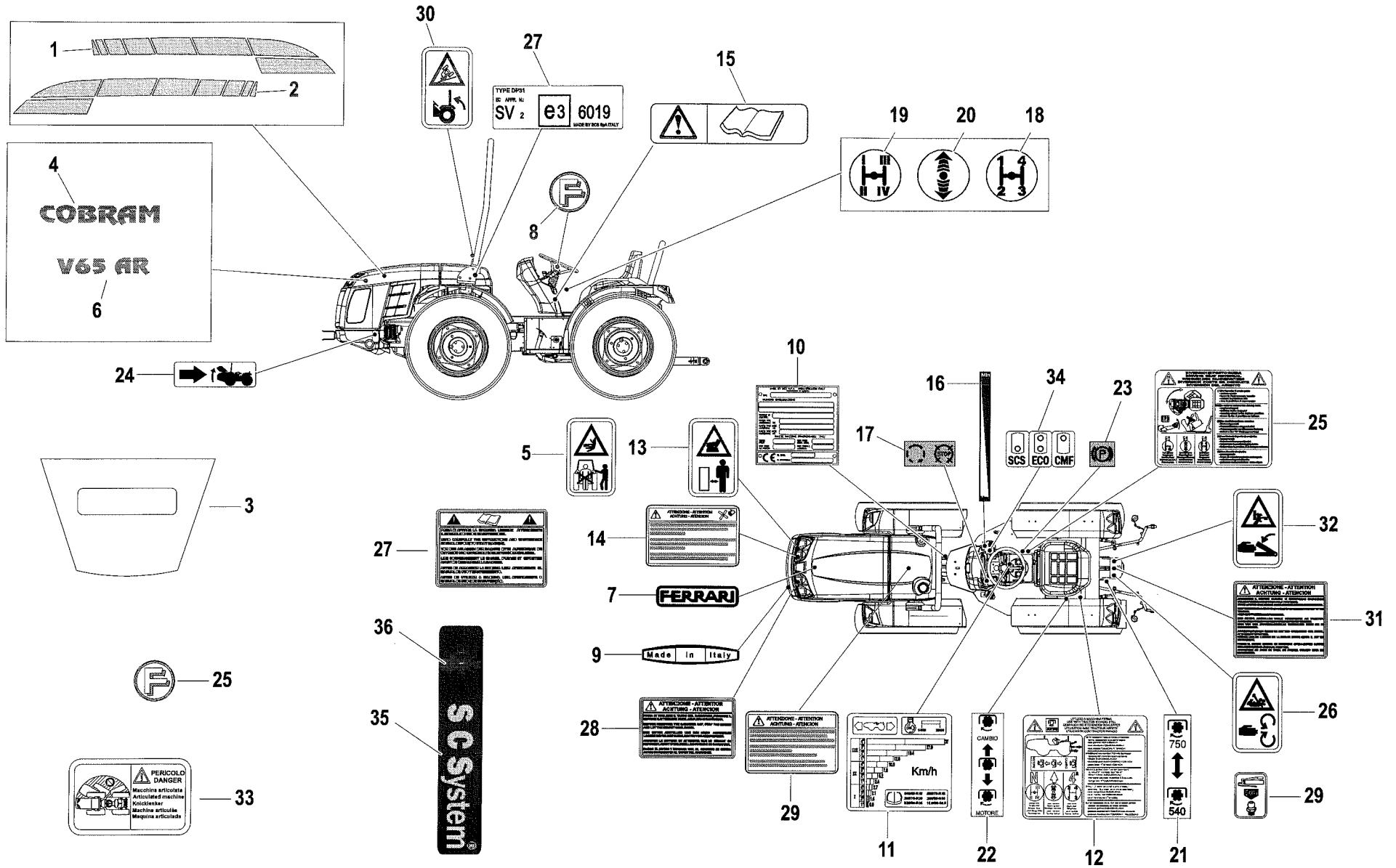
REAR MODGUARDS

CODE REV

B.05.01.L40025_0

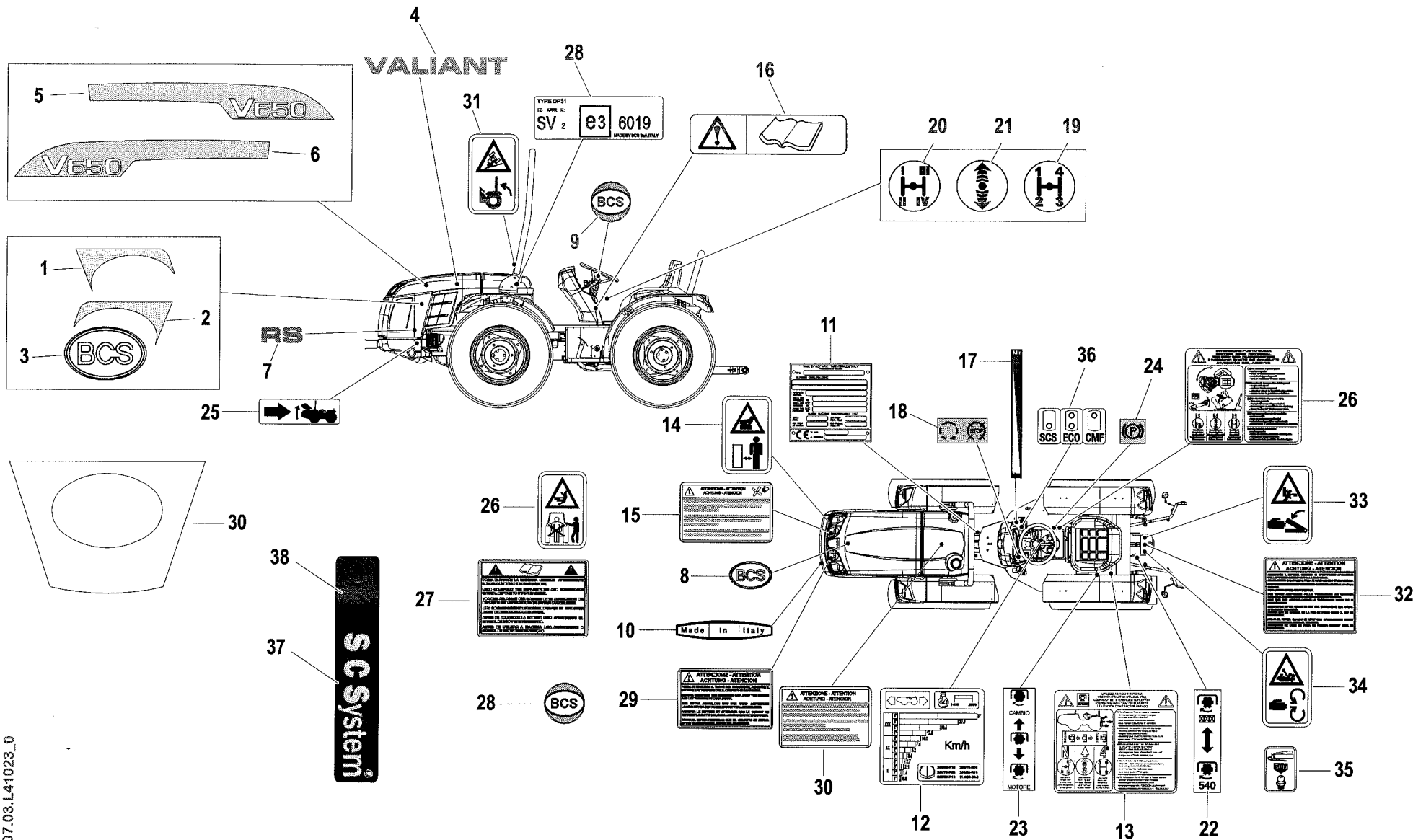


Pos.	Code	Q.ty	Description	Notes
35	59070592	1	LEVER BEARING	
36	31111151	2	SCREW TE M8X16 UNI 5739 8G	
37	F0843643060	2	WASHER 8	
38	31212100	2	NUT M10	
39	58177330	2	REFLECTOR	
40	590A0091	1	LEFT BRACKET	
41	F0862129000	1	SCREW M6X18 UNI 5739 8.8	
42	56177045	4	RETAINER	

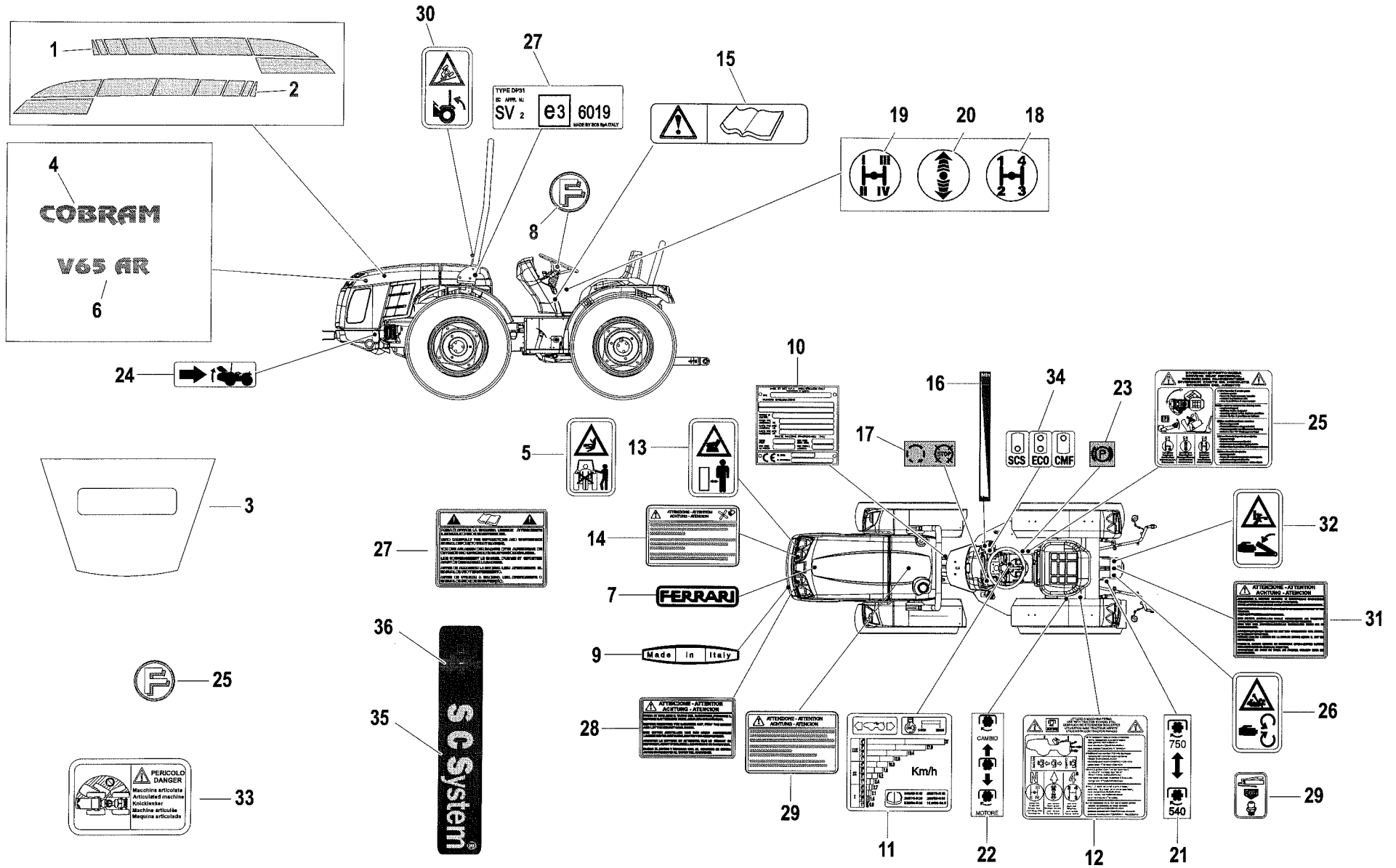


B.07.03.L40025_0.ai

Pos.	Code	Q.ty	Description	Notes
1	580A1122	1	FREGIO DX (FERRARI) 55-65	
2	580A1123	1	FREGIO SX (FERRARI) 55-65	
3	580A0520	1	APPLIC.TAPE FERR-PASQU.55-65	
4	580A2180	2	DECAL COBRAM 55-65	
5	580A1015	1	DECAL	
6	580A2868	2	DECAL	
7	580A2171	1	DECAL	
8	580A1121	1	DECAL	
9	580A2179	1	DECAL MADE IN ITALY	
10	580A1023	1	PLATE	
11	580A3133	1	DECAL	
12	58076077	1	DECAL	
13	580A1016	1	DECAL	
14	580A1039	1	FAN WARNING PLATE	
15	58074880	1	PLATE	
16	58077047	1	DECAL	
17	58072511	1	INSTRUCTION PLATE	
18	580A1581	1	DECAL	
19	580A1580	1	DECAL	
20	580A1583	1	DECAL	
21	58072573	1	PLATE	
22	58072575	1	PLATE	
23	58072510	1	INSTRUCTION PLATE	
24	58074841	1	DECAL	
25	580A2146	4	DECAL	
26	580A1607	1	DECAL	
27	580A1042	1	PLATE	
28	580A1038	1	PLATE	
29	580A1609	4	DECAL	
30	580A1605	1	DECAL	
31	580A1037	1	PLATE	
32	580A1606	1	DECAL	
33	580A1608	1	DECAL	



Pos.	Code	Q.ty	Description	Notes
1	580A1122	1	FREGIO DX (FERRARI) 55-65	
2	580A1123	1	FREGIO SX (FERRARI) 55-65	
3	580A0520	1	APPLIC.TAPE FERR-PASQU.55-65	
4	580A2180	2	DECAL COBRAM 55-65	
5	580A1015	1	DECAL	
6	580A2868	2	DECAL	
7	580A2171	1	DECAL	
8	580A1121	1	DECAL	
9	580A2179	1	DECAL MADE IN ITALY	
10	580A1023	1	PLATE	
11	580A3133	1	DECAL	
12	58076077	1	DECAL	
13	580A1016	1	DECAL	
14	580A1039	1	FAN WARNING PLATE	
15	58074880	1	PLATE	
16	58077047	1	DECAL	
17	58072511	1	INSTRUCTION PLATE	
18	580A1581	1	DECAL	
19	580A1580	1	DECAL	
20	580A1583	1	DECAL	
21	58072573	1	PLATE	
22	58072575	1	PLATE	
23	58072510	1	INSTRUCTION PLATE	
24	58074841	1	DECAL	
25	580A2146	4	DECAL	
26	580A1607	1	DECAL	
27	580A1042	1	PLATE	
28	580A1038	1	PLATE	
29	580A1609	4	DECAL	
30	580A1605	1	DECAL	
31	580A1037	1	PLATE	
32	580A1606	1	DECAL	
33	580A1608	1	DECAL	



B.07.03.L40025_0.ai

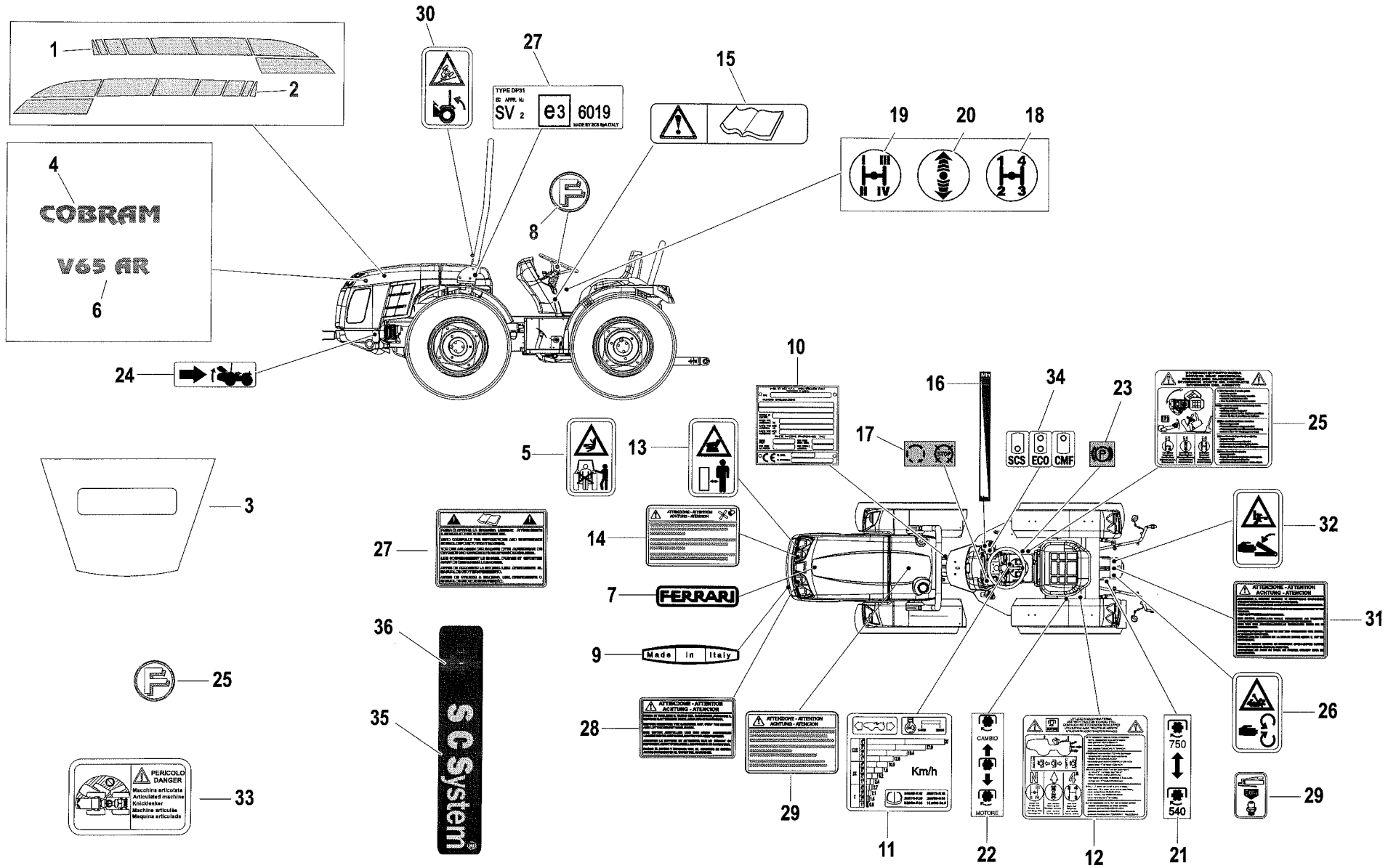
Pos.	Code	Q.ty	Description	Notes
1	580A1122	1	FREGIO DX (FERRARI) 55-65	
2	580A1123	1	FREGIO SX (FERRARI) 55-65	
3	580A0520	1	APPLIC.TAPE FERR-PASQU.55-65	
4	580A2180	2	DECAL COBRAM 55-65	
5	580A1015	1	DECAL	
6	580A2868	2	DECAL	
7	580A2171	1	DECAL	
8	580A1121	1	DECAL	
9	580A2179	1	DECAL MADE IN ITALY	
10	580A1023	1	PLATE	
11	580A3133	1	DECAL	
12	58076077	1	DECAL	
13	580A1016	1	DECAL	
14	580A1039	1	FAN WARNING PLATE	
15	58074880	1	PLATE	
16	58077047	1	DECAL	
17	58072511	1	INSTRUCTION PLATE	
18	580A1581	1	DECAL	
19	580A1580	1	DECAL	
20	580A1583	1	DECAL	
21	58072573	1	PLATE	
22	58072575	1	PLATE	
23	58072510	1	INSTRUCTION PLATE	
24	58074841	1	DECAL	
25	580A2146	4	DECAL	
26	580A1607	1	DECAL	
27	580A1042	1	PLATE	
28	580A1038	1	PLATE	
29	580A1609	4	DECAL	
30	580A1605	1	DECAL	
31	580A1037	1	PLATE	
32	580A1606	1	DECAL	
33	580A1608	1	DECAL	
34	580A0285	1	DECAL	

SERIAL

PLATES AND STICKERS

CODE REV

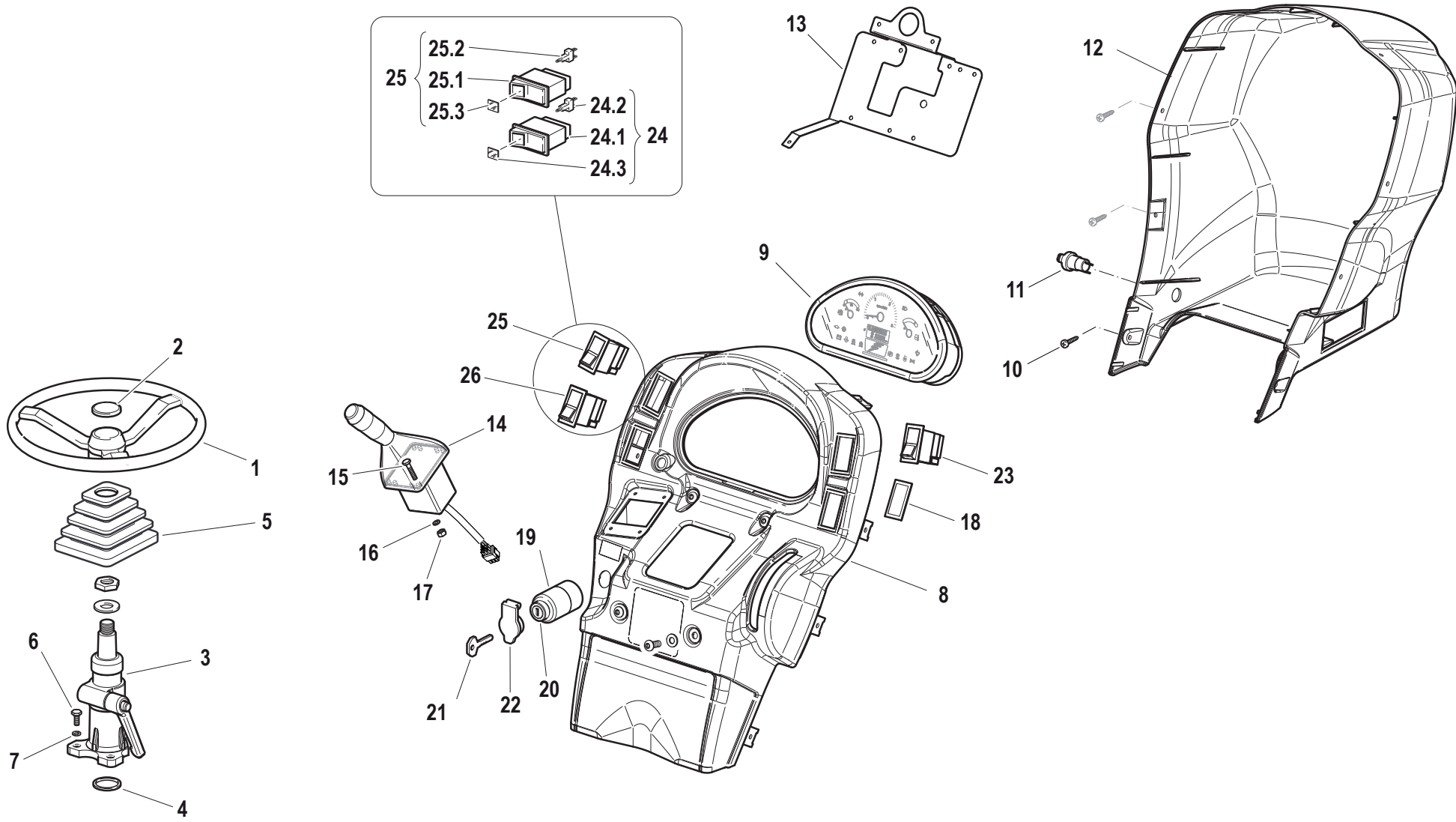
B.07.03.L40025_0



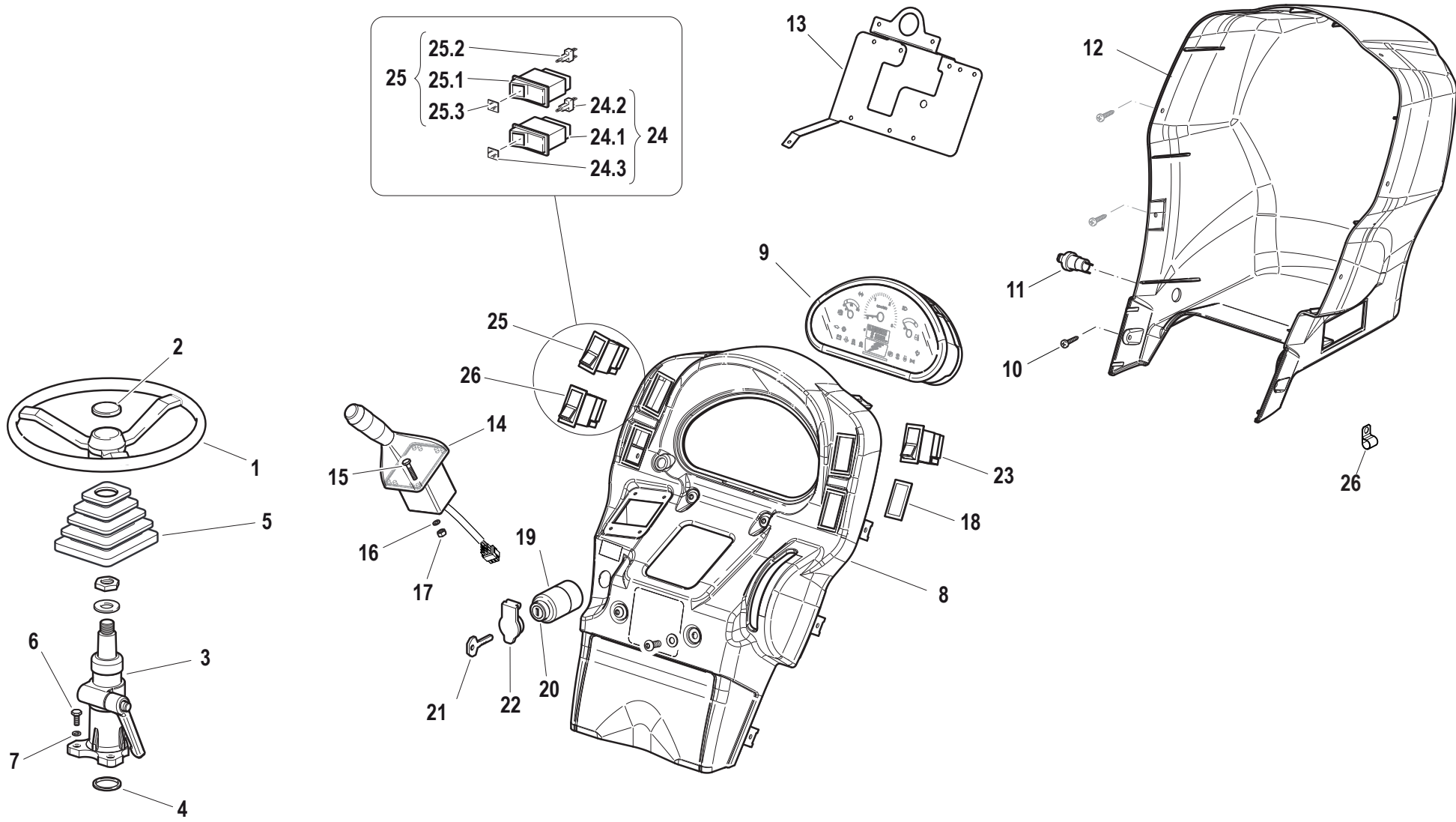
B.07.03.L40025_0.ai

Pos.	Code	Q.ty	Description	Notes
35	580A2196	1	DECAL	
36	58079509	1	DECAL	

Pos.	Code	Q.ty	Description	Notes
1	F0865040000	1	STEERING WHEEL	
2	F0865040020	1	PLUG	
3	58177087	1	SMALL COLUMN	
4	56177086	1	CENTERING	
5	P238105000000	1	BELLOWS	
6	31112219	4	SCREW TE M10X25 UNI 5739	
7	F0843755000	4	WASHER 10 DIN 128-B	
8	55279820	1	INSTRUMENT PANEL	
9	581A3052	1	DIGITAL INSTRUMENT	
10	31510096	8	RIBBED SCREW 4,2X16	
11	F0825403050	1	SOCKET	
12	55279823	1	INSTRUMENT PANEL	
13	561A1007	1	SUPPORT	
14	58173345	1	STEERING COLUMN SWITCH UNIT	
15	31111084	4	SCREW TE M4X16 UNI 5739 8G	
16	F0843526000	4	WASHER 4,3x12/1,5	
17	31211040	4	NUT M4	
18	58172043	1	FRONT GRILLE	
19	F0825500200	1	CHANGE-OVER SWITCH	
20	F0825500210	1	RING NUT	
21	580A2134	2	IGNITION KEY	
22	F0825400060	1	COVER	
23	F0825115010	1	PUSH-BUTTON	
24.1	58173116	1	CHANGE-OVER SWITCH	
24.2	58173121	1	GLASS	
24.3	58173119	1	PILOT LIGHT 12V	
25.1	58177268	1	CHANGE-OVER SWITCH	
25.2	58173120	1	GLASS	
25.3	58173119	1	PILOT LIGHT 12V	

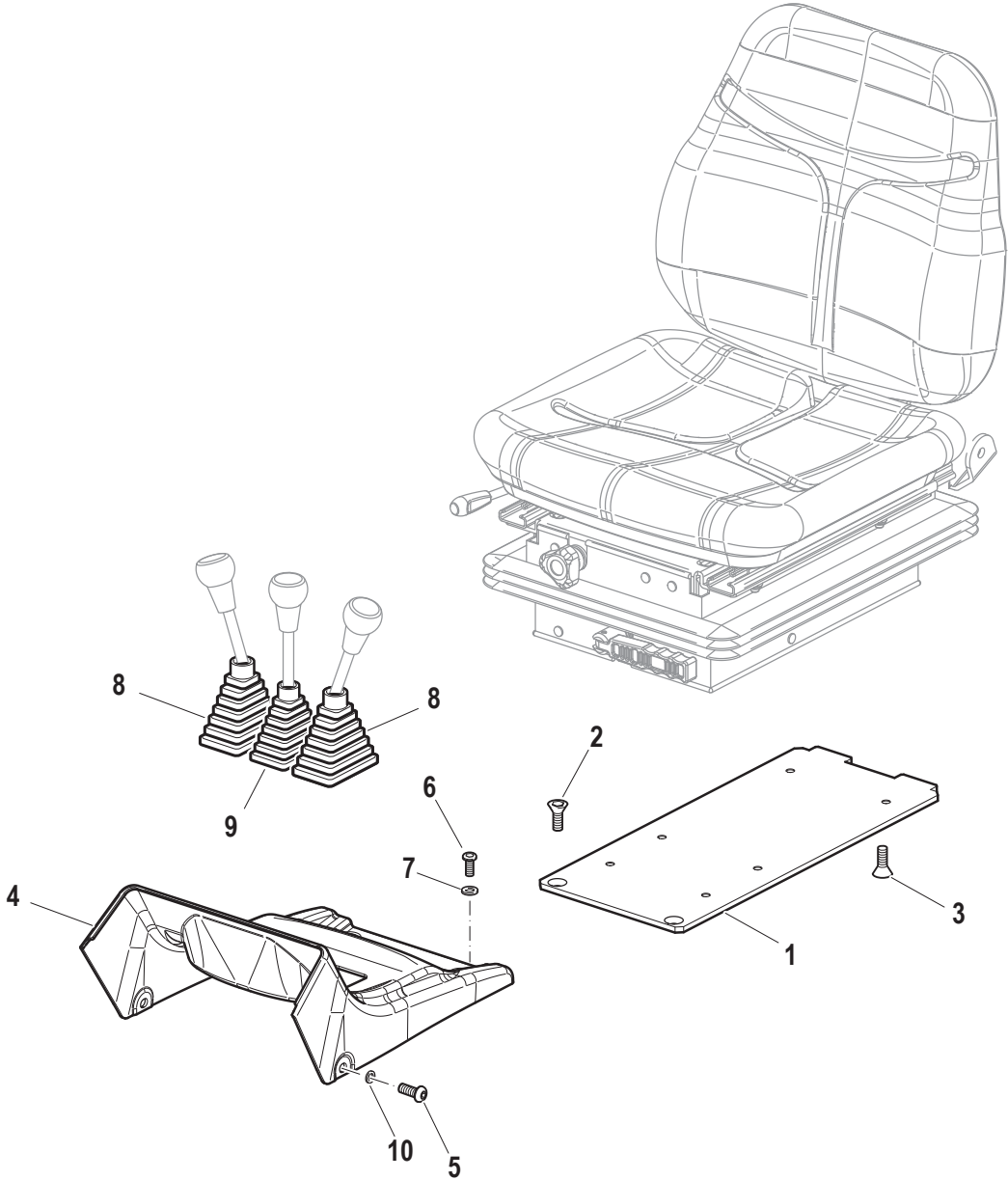


Pos.	Code	Q.ty	Description	Notes
1	F0865040000	1	STEERING WHEEL	
2	F0865040020	1	PLUG	
3	58177087	1	SMALL COLUMN	
4	56177086	1	CENTERING	
5	P238105000000	1	BELLOWS	
6	31112219	4	SCREW TE M10X25 UNI 5739	
7	F0843755000	4	WASHER 10 DIN 128-B	
8	573A0784	1	INSTRUMENT PANEL	
9	581A3052	1	DIGITAL INSTRUMENT	
10	31510096	8	RIBBED SCREW 4,2X16	
11	F0825403050	1	SOCKET	
12	55279823	1	INSTRUMENT PANEL	
13	561A1007	1	SUPPORT	
14	58173345	1	STEERING COLUMN SWITCH UNIT	
15	31111084	4	SCREW TE M4X16 UNI 5739 8G	
16	F0843526000	4	WASHER 4,3x12/1,5	
17	31211040	4	NUT M4	
18	58172043	1	FRONT GRILLE	
19	F0825500200	1	CHANGE-OVER SWITCH	
20	F0825500210	1	RING NUT	
21	580A2134	2	IGNITION KEY	
22	F0825400060	1	COVER	
23	F0825115010	1	PUSH-BUTTON	
24,1	58173116	1	CHANGE-OVER SWITCH	
24,2	58173121	1	GLASS	
24,3	58173119	1	PILOT LIGHT 12V	
25,1	58177268	1	CHANGE-OVER SWITCH	
25,2	58173120	1	GLASS	
25,3	58173119	1	PILOT LIGHT 12V	



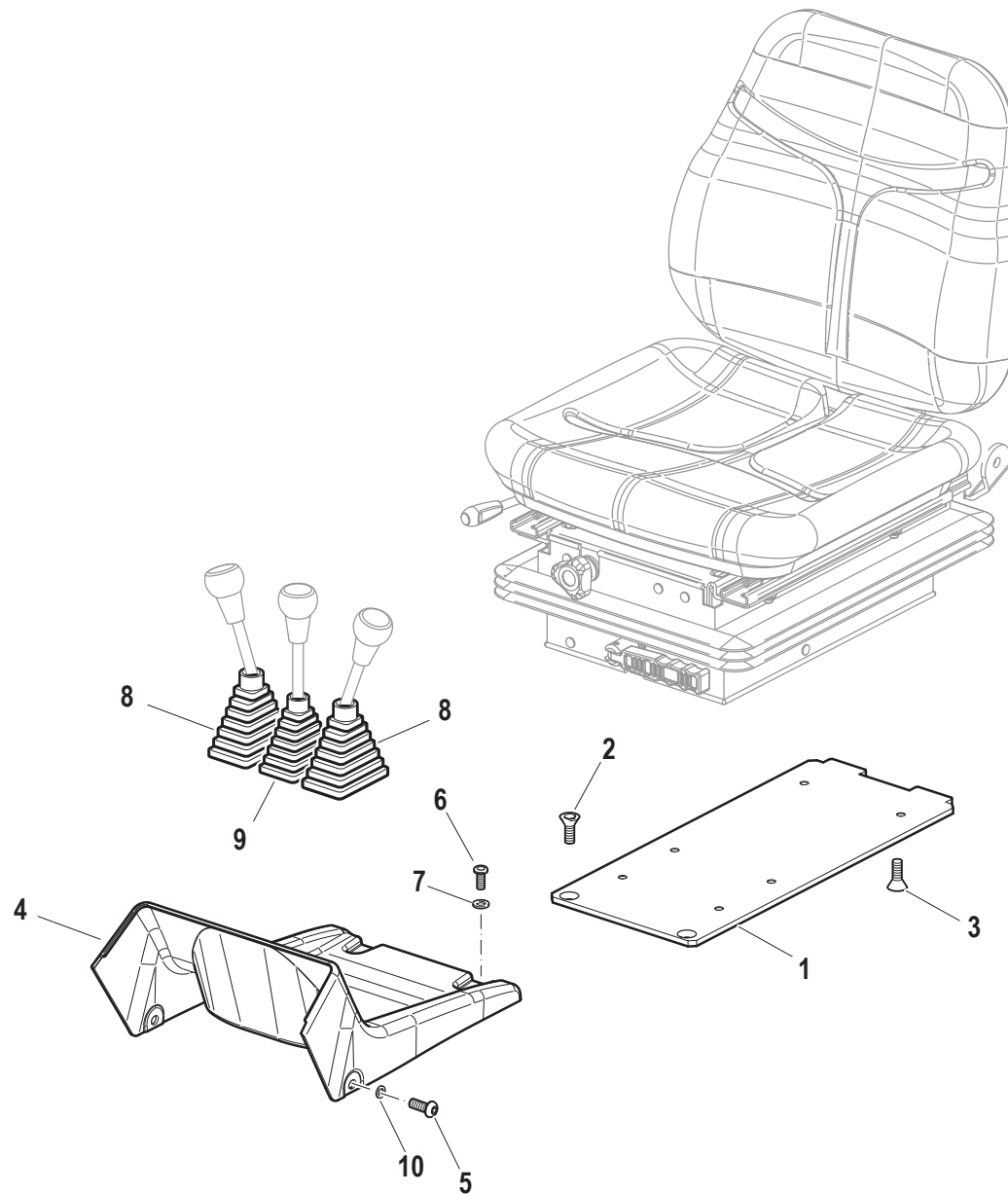
Pos.	Code	Q.ty	Description	Notes
1	F0865040000	1	STEERING WHEEL	
2	F0865040020	1	PLUG	
3	58177087	1	SMALL COLUMN	
4	56177086	1	CENTERING	
5	P238105000000	1	BELLOWS	
6	31112219	4	SCREW TE M10X25 UNI 5739	
7	F0843755000	4	WASHER 10 DIN 128-B	
9	581A3052	1	DIGITAL INSTRUMENT	
10	31510096	8	RIBBED SCREW 4,2X16	
11	F0825403050	1	SOCKET	
12	573A2267	1	INSTRUMENT PANEL	
13	561A1007	1	SUPPORT	
14	58173345	1	STEERING COLUMN SWITCH UNIT	
15	31111084	4	SCREW TE M4X16 UNI 5739 8G	
16	F0843526000	4	WASHER 4,3x12/1,5	
17	31211040	4	NUT M4	
18	58172043	1	FRONT GRILLE	
19	F0825500200	1	CHANGE-OVER SWITCH	
20	F0825500210	1	RING NUT	
21	580A2134	2	IGNITION KEY	
22	F0825400060	1	COVER	
23	F0825115010	1	PUSH-BUTTON	
24,1	58173116	1	CHANGE-OVER SWITCH	
24,2	58173121	1	GLASS	
24,3	58173119	1	PILOT LIGHT 12V	
25,1	58177268	1	CHANGE-OVER SWITCH	
25,2	58173120	1	GLASS	
25,3	58173119	1	PILOT LIGHT 12V	
26	F0825416000	4	CLAMP D.13 ZNT/B	

SEAT SUPPORT / GEAR LEVERS COVER



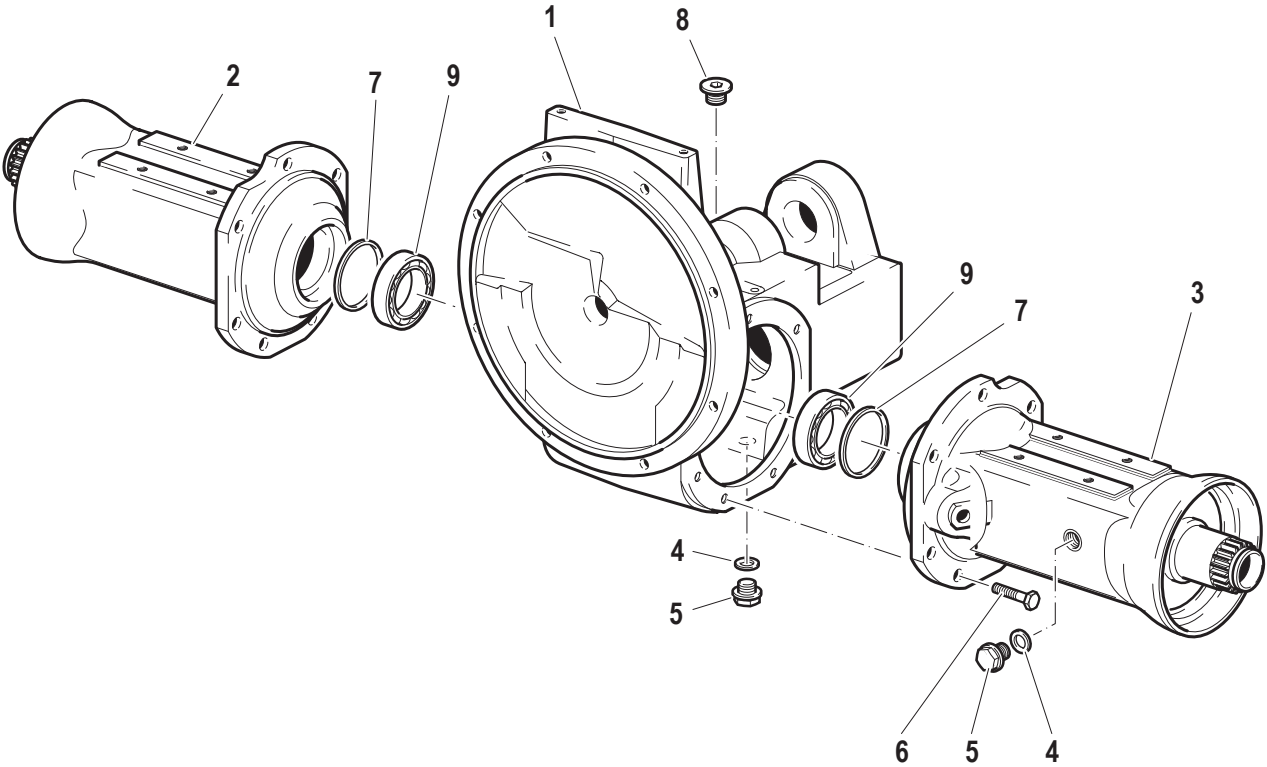
Pos.	Code	Q.ty	Description	Notes
1	561A0820	1	FIXING PLATE	
2	31132565	2	SCREW TSVEI M8x16 UNI 5933	
3	31132440	1	SCREW TSVEI M4X10 UNI 5933	
4	57379931	1	COVER	
5	31121014	2	SCREW TBCEI M8x12 7380	
6	31121006	2	SCREW TBCEI M6X16 ISO 7380	
7	31411064	2	WASHER 6,4x12,5	
8	551A1602	2	RUBBER COVER	
9	551A1601	1	RUBBER COVER	
10	31411084	2	WASHER 8,4x17	

SEAT SUPPORT / GEAR LEVERS COVER



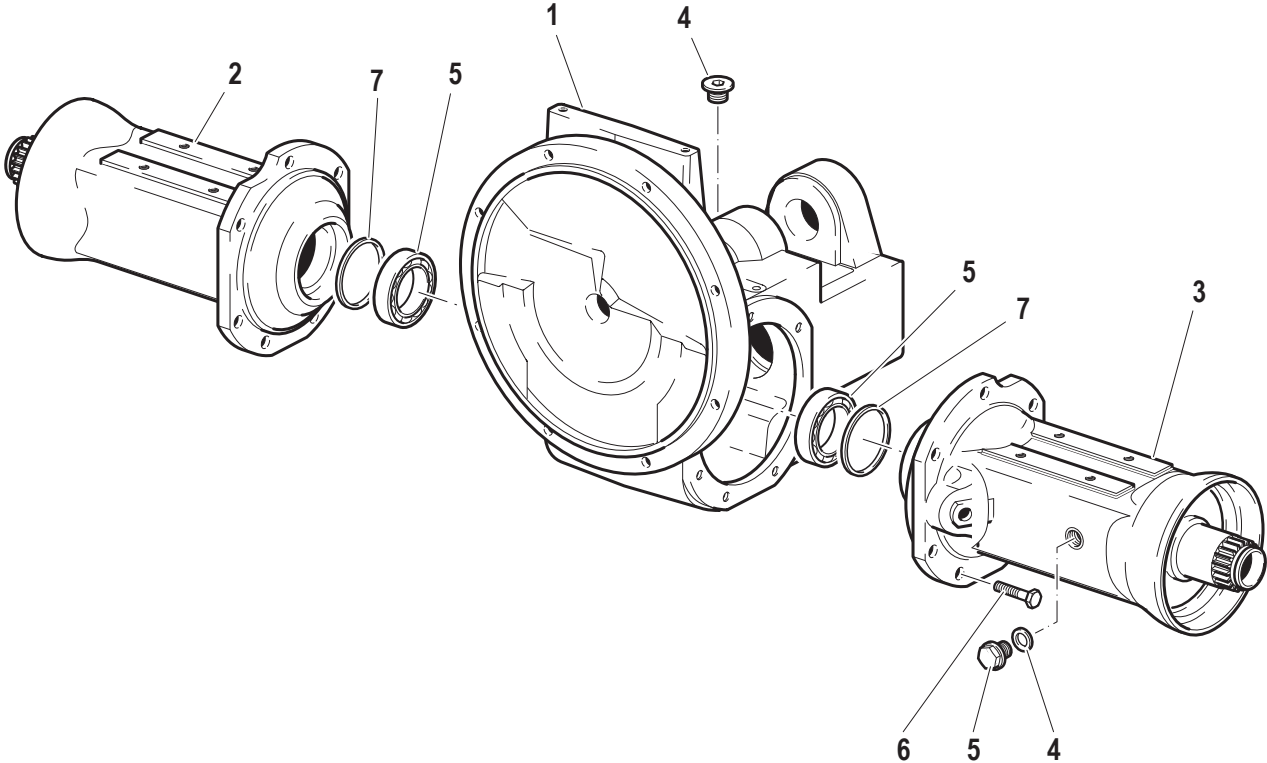
Pos.	Code	Q.ty	Description	Notes
1	561A0820	1	FIXING PLATE	
2	31132565	2	SCREW TSVEI M8x16 UNI 5933	
3	31132440	1	SCREW TSVEI M4X10 UNI 5933	
4	573A0785	1	COVER	
5	31121014	2	SCREW TBCEI M8x12 7380	
6	31121006	2	SCREW TBCEI M6X16 ISO 7380	
7	31411064	2	WASHER 6,4x12,5	
8	551A1602	2	RUBBER COVER	
9	551A1601	1	RUBBER COVER	
10	31411084	2	WASHER 8,4x17	

FRONT AXLE



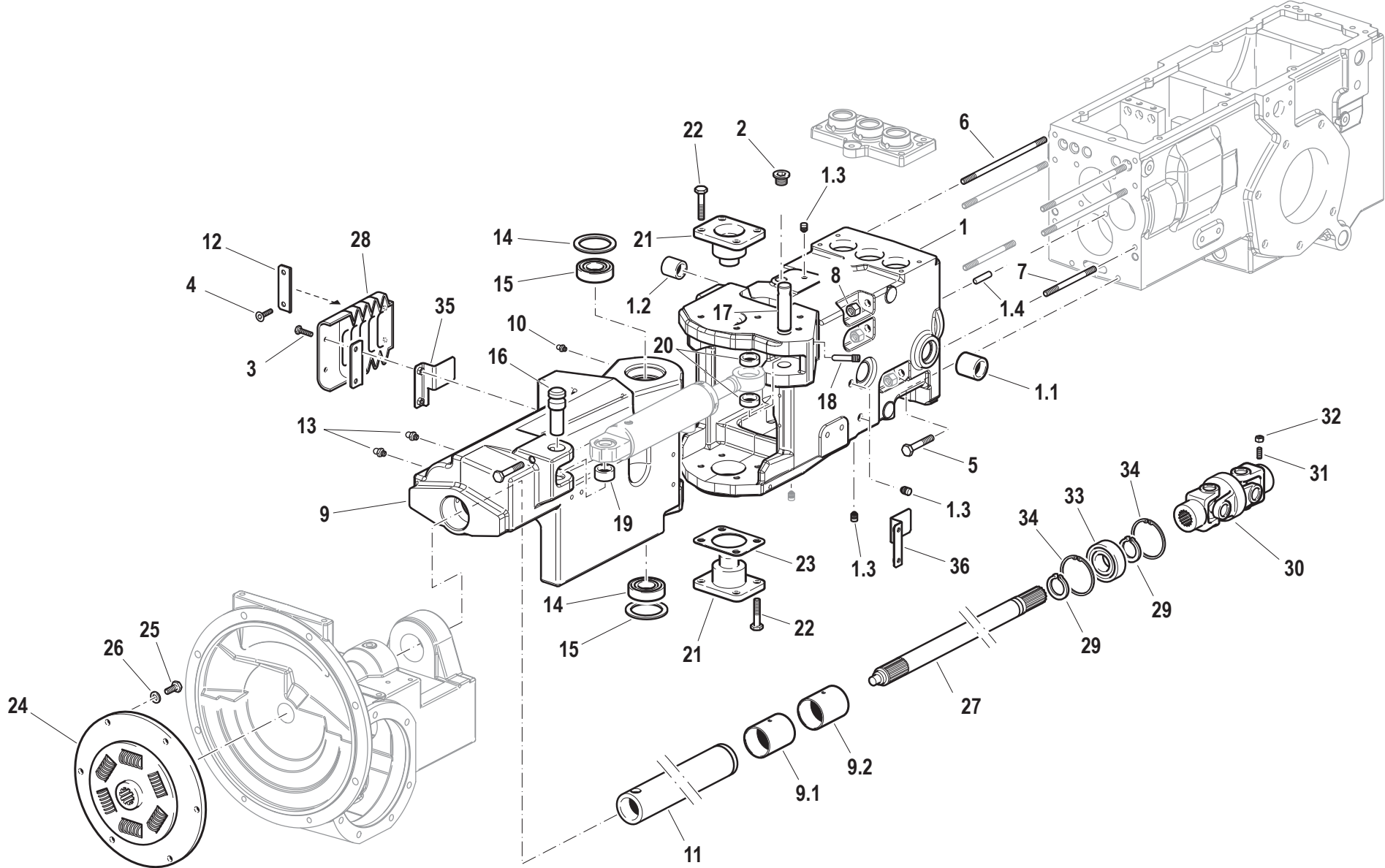
Pos.	Code	Q.ty	Description	Notes
1	511A2265	1	FRONT BRIDGE BOX L60-K60-V65-	
2	512A0909	1	FRONT AXLE HOUSING	
3	512A0910	1	FRONT AXLE HOUSING	
4	F0844273090	1	GASKET 22X28X1,5 CU 99,5	
5	56370081	1	PLUG	
6	31112264	14	SCREW TE M12X35 UNI 5739	
7	56371582	0.8	RING	
7	56371583	0.8	RING	
7	56371584	0.8	RING	
7	56371585	0.8	RING	
7	56371586	0.8	RING	
8	58071790	1	PLUG	
9	F0812895000	2	BEARING 32008 (40X68X19)	

FRONT AXLE



Pos.	Code	Q.ty	Description	Notes
1	511A2265	1	FRONT BRIDGE BOX L60-K60-V65-	
2	512A0909	1	FRONT AXLE HOUSING	
3	512A0910	1	FRONT AXLE HOUSING	
4	58071790	1	PLUG	
5	F0812895000	2	BEARING 32008 (40X68X19)	
6	31112264	14	SCREW TE M12X35 UNI 5739	
7	56371586	0.8	RING	
7	56371585	0.8	RING	
7	56371584	0.8	RING	
7	56371583	0.8	RING	
7	56371582	0.8	RING	

CENTRAL SECTION



Pos.	Code	Q.ty	Description	Notes
1	511A2955	1	CLUTCH HOUSING K60-V65-AR-	
1.1	58071793	1	BUSHING BMX 25.25	
1.2	P000000007984	1	BUSHING BMX 22.25	
1.3	58179811	5	PLUG	
1.4	56370228	2	CYLINDRICAL PLUG	
2	F0852538010	1	PLUG	
3	31112093	4	SCREW TE M6X20	
4	31132562	4	SCREW TSVEI M6X16 UNI 5933	
5	F0863359000	2	SCREW M10X40 UNI 5737	
6	F0838535050	4	STUD BOLT M10X170 UNI5911	
7	F0838475000	2	STUD BOLT M10X90 UNI 5911 8.8	
8	F0814647000	6	NUT M10	
9	51179812	1	BOX	
9.1	56276360	1	BUSHING	
9.2	56276359	1	BUSHING	
10	30000007	2	LUBRICATOR .M8x1,25 UNI 7663A	
11	564A2716	1	PIN	
12	56172163	2	FIXING BRACKET	
13	F0826056000	2	LUBRICATOR M10 UNI 7663A	
14	F0812747000	2	BEARING 32006X (30x55x17)	
15	58170077	2	GASKET	
16	56373542	1	HINGE PIN	
17	56379584	1	HINGE PIN	
18	56370178	2	SCREW M10x1,5/48 C40BON	
19	56170226	1	SPACER D.24x20/10,4	
20	56173884	2	SPACER D.24x20/6	
21	523A0166	2	JOINT PIN	
22	F0863267050	8	SCREW M10x25	
23	52172158	0.3	SHIM	
23	52172159	0.3	SHIM	
23	52172160	0.3	SHIM	
23	52172161	0.3	SHIM	
23	52172162	0.3	SHIM	
24	581A2277	1	COUPLING	

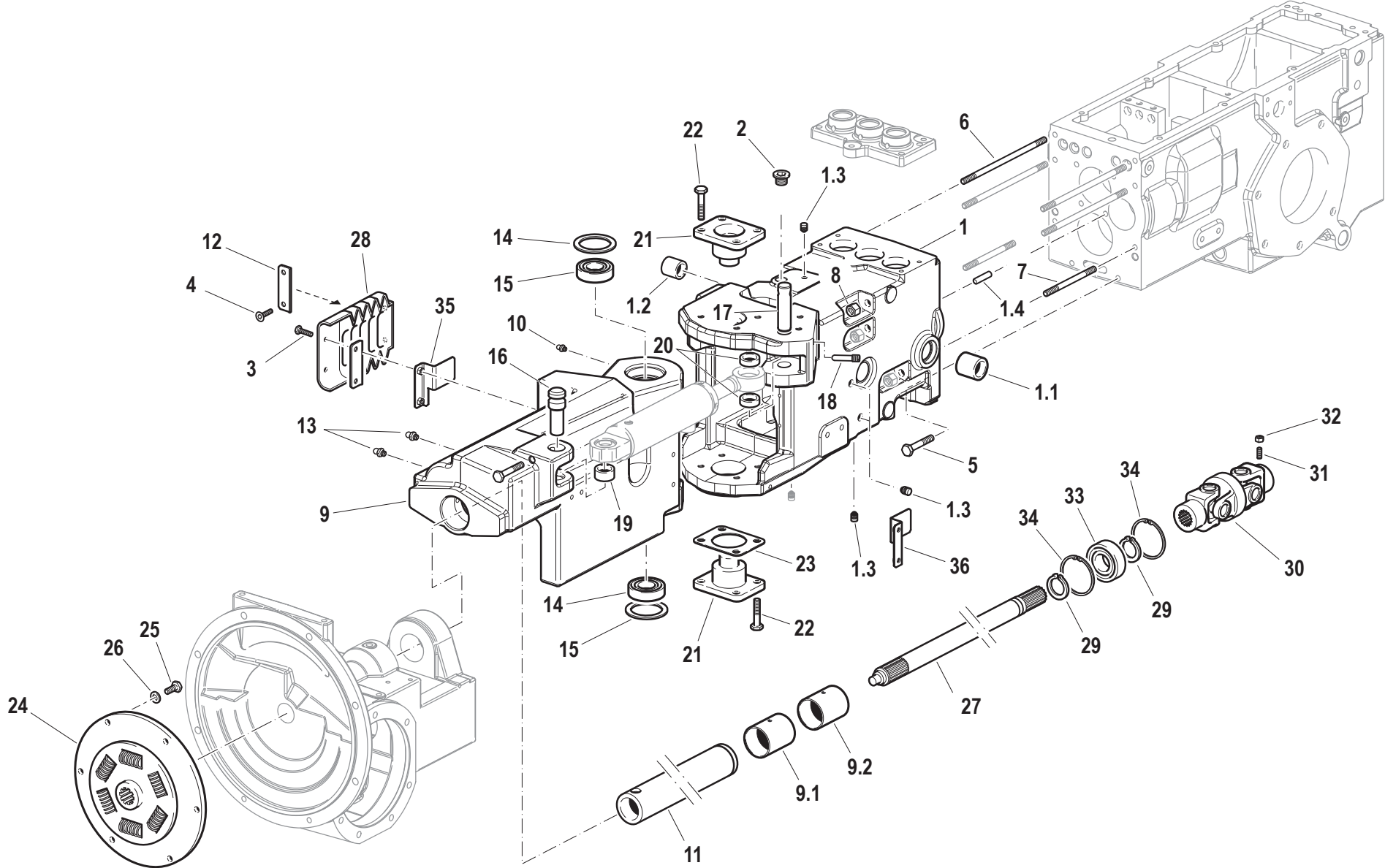
SERIAL

CENTRAL SECTION

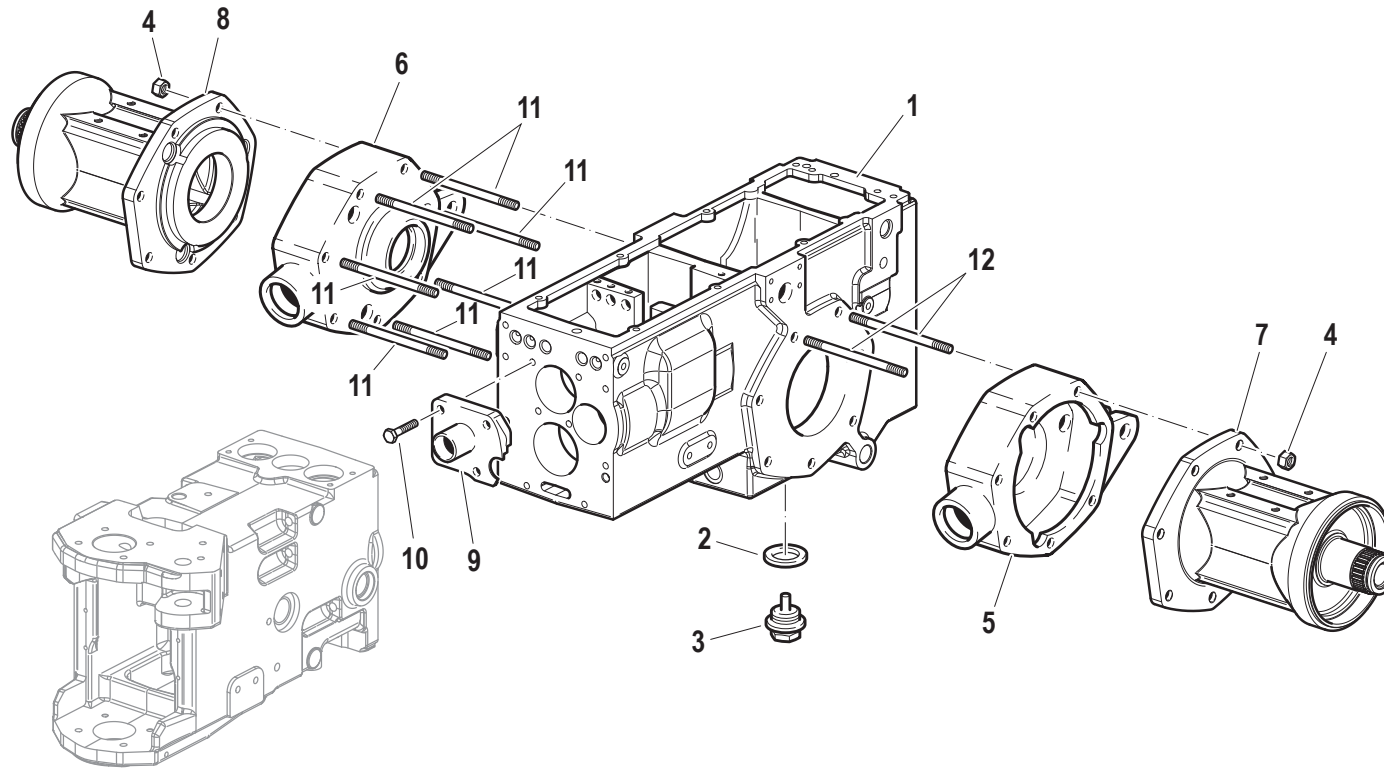
CODE REV

C.02.01.L40025_0

CENTRAL SECTION

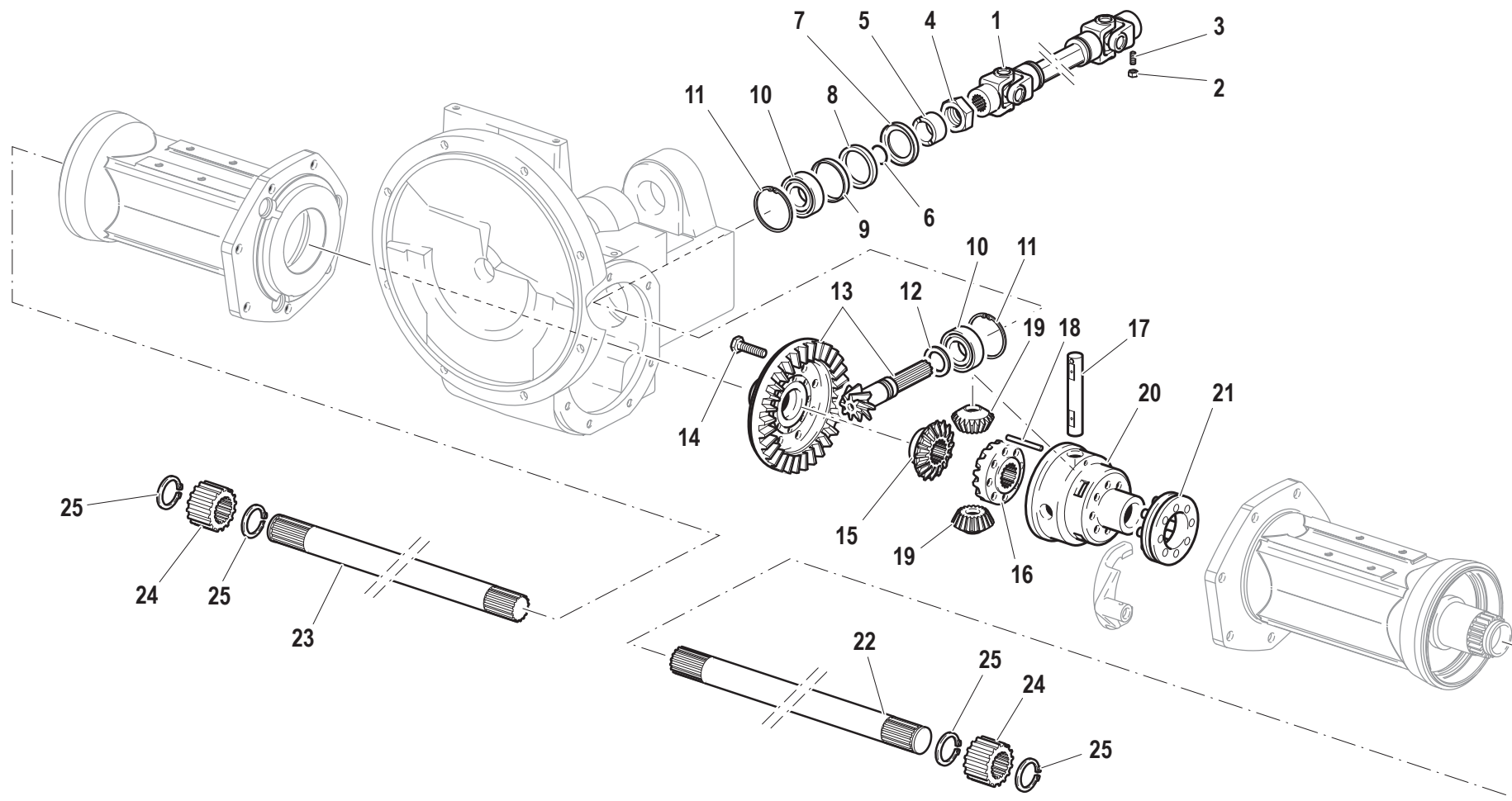


Pos.	Code	Q.ty	Description	Notes
25	31112150	6	SCREW TE M8X20 UNI 5739 8G	
26	31421083	6	WASHER	
27	56572156	1	FRONT CLUTCH SHAFT	
28	55172608	2	BELLOWS	
29	35121025	2	SEEGER RING E 25 DIN 471	
30	58172155	1	CARDAN JOINT	
31	F0862593050	1	SCREW M8X20 UNI 5927	
32	31211080	1	NUT M8	
33	37112249	1	BEARING 6205-2RS (255215) SKF	
34	35111052	2	SEEGER RING I 52 DIN 472	
35	59075711	1	PLATE	
36	59075712	1	FIXING PLATE	

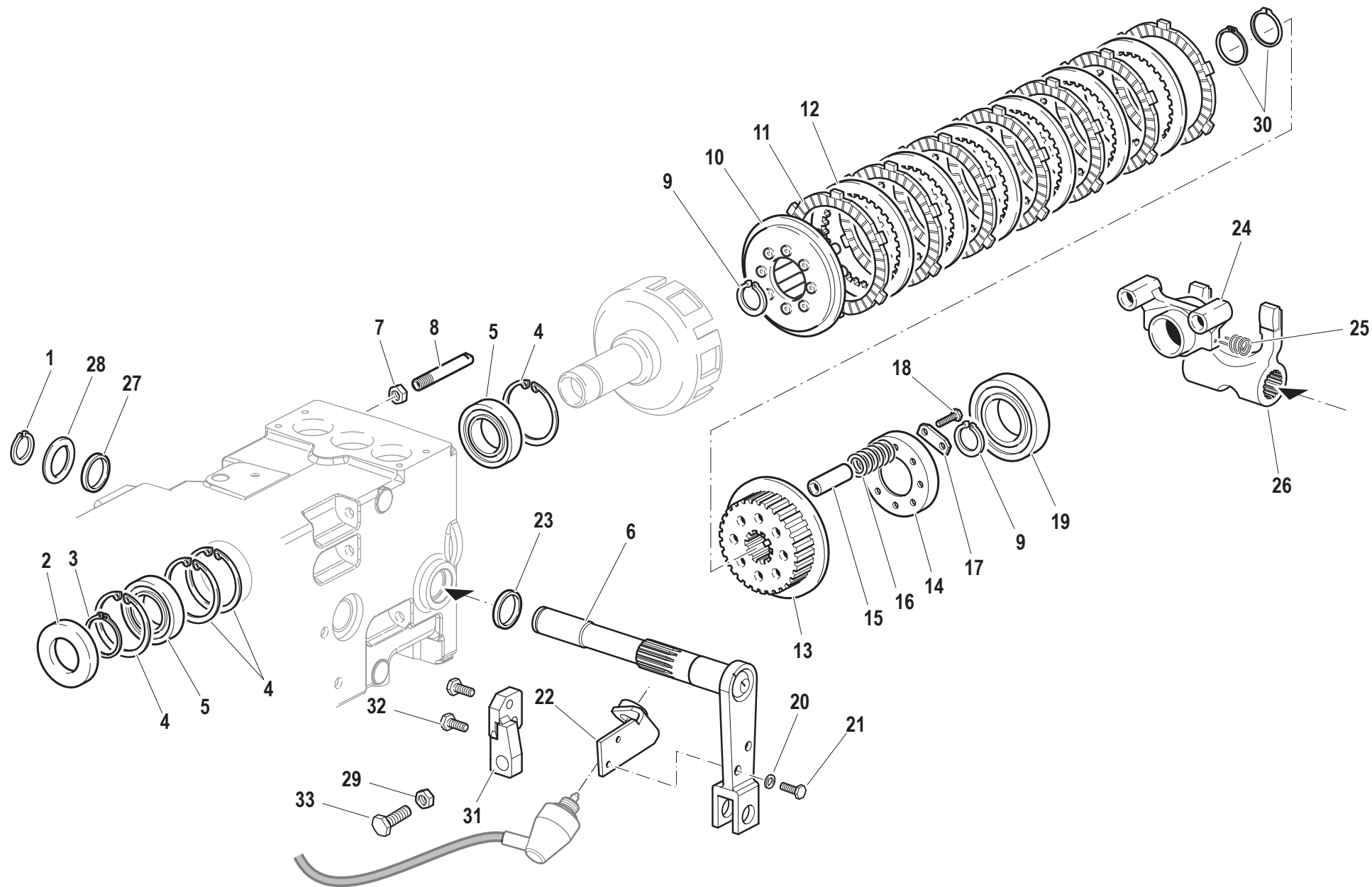


Pos.	Code	Q.ty	Description	Notes
1	511A0935	1	GEAR BOX 55-65CV	
2	31480191	1	COPPER WASHER 30x36/1,5	
3	581A0108	1	PLUG	
4	F0814695000	14	NUT M12	
5	51171603	1	BRAKE HOUSING	
6	51171604	1	BRAKE HOUSING	
7	512A0109	1	REAR AXLE HOUSING	
8	512A0110	1	REAR AXLE HOUSING	
9	59079172	1	FRONT COVER	
10	31112219	4	SCREW TE M10X25 UNI 5739	
11	F0838660000	8	STUD BOLT M12X105 UNI 5911-66	
12	F0838660100	6	STUD BOLT M12x115 UNI 5911-66	

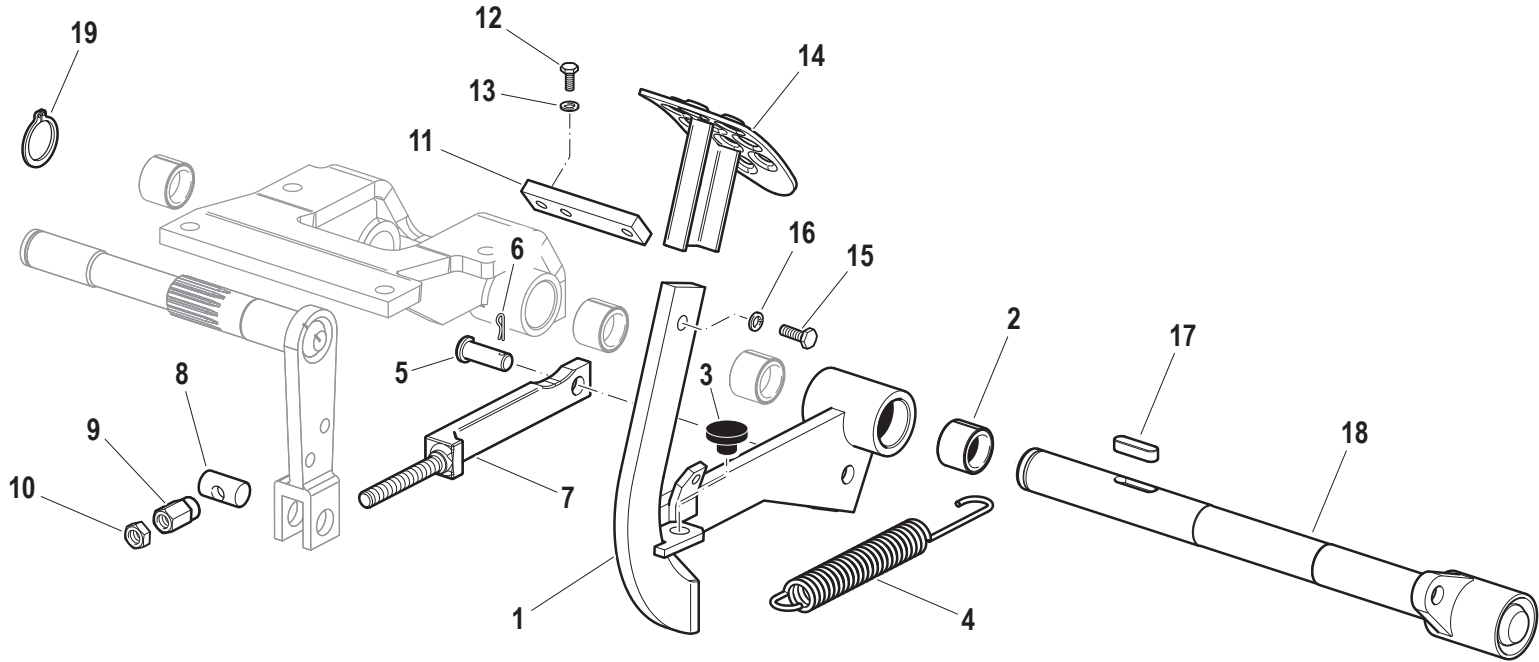
FRONT TRANSMISSION



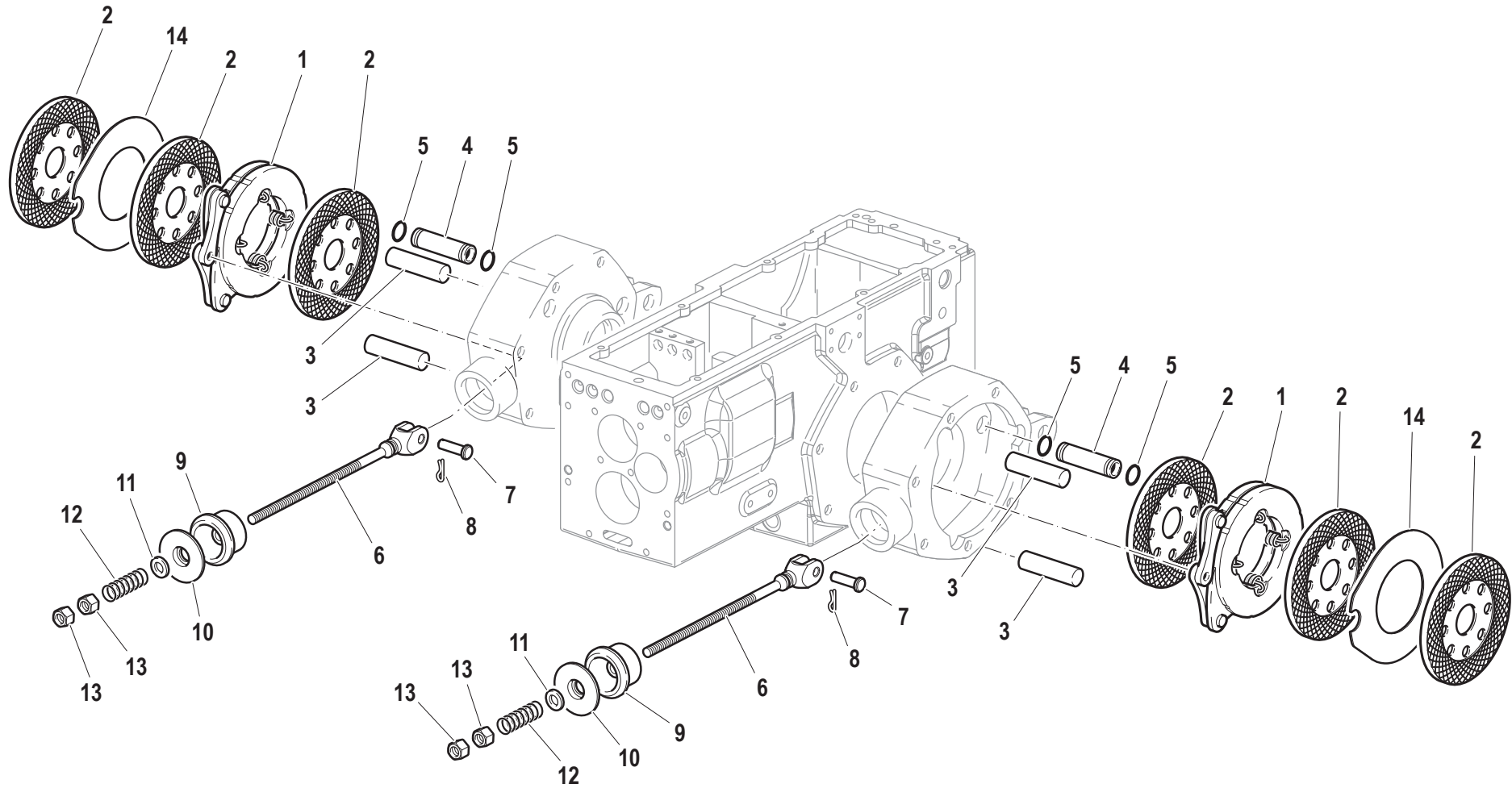
Pos.	Code	Q.ty	Description	Notes
1	581A2292	1	CONSTANT VEL. JOINT	
2	31211080	1	NUT M8	
3	F0862657000	1	GRAIN M8X25 UNI 5927	
4	56371666	1	RING NUT	
5	56471665	1	SPACER	
6	38112670	1	O-RING 2106 (26,70X1,78)	
7	56171671	1	PROTECTIVE RING D=62	
8	F0802190010	1	SEAL 42x62/7	
9	56171672	1	SPACER D.62x58/7,5	
10	37221300	2	BEARING 30206 R/CO.30X62X17,25	
11	35111063	2	SEEGER RING I 62 UNI 7438	
13	593A2290	1	BEVEL GEAR	
14	F0863267050	8	SCREW M10x25	
15	52471513	1	CROWN WHEEL	
16	52471516	1	CROWN WHEEL	
17	56471508	1	PIN	
18	56371994	1	PIN	
19	52471509	2	PLANETARY GEAR	
20	51374866	1	HOUSING	
21	59071518	1	SLEEVE	
22	56572623	1	AXLE SHAFT	
23	56572624	1	AXLE SHAFT	
24	52473922	2	CROWN WHEEL Z=16	
25	F0801175050	2	SEEGER RING E 24X1,75 UNI 7436	
12,1	56371670	0.25	SHIM	
12,2	56371667	0.25	SHIM	
12,3	56371668	0.25	SHIM	
12,4	56371669	0.25	SHIM	



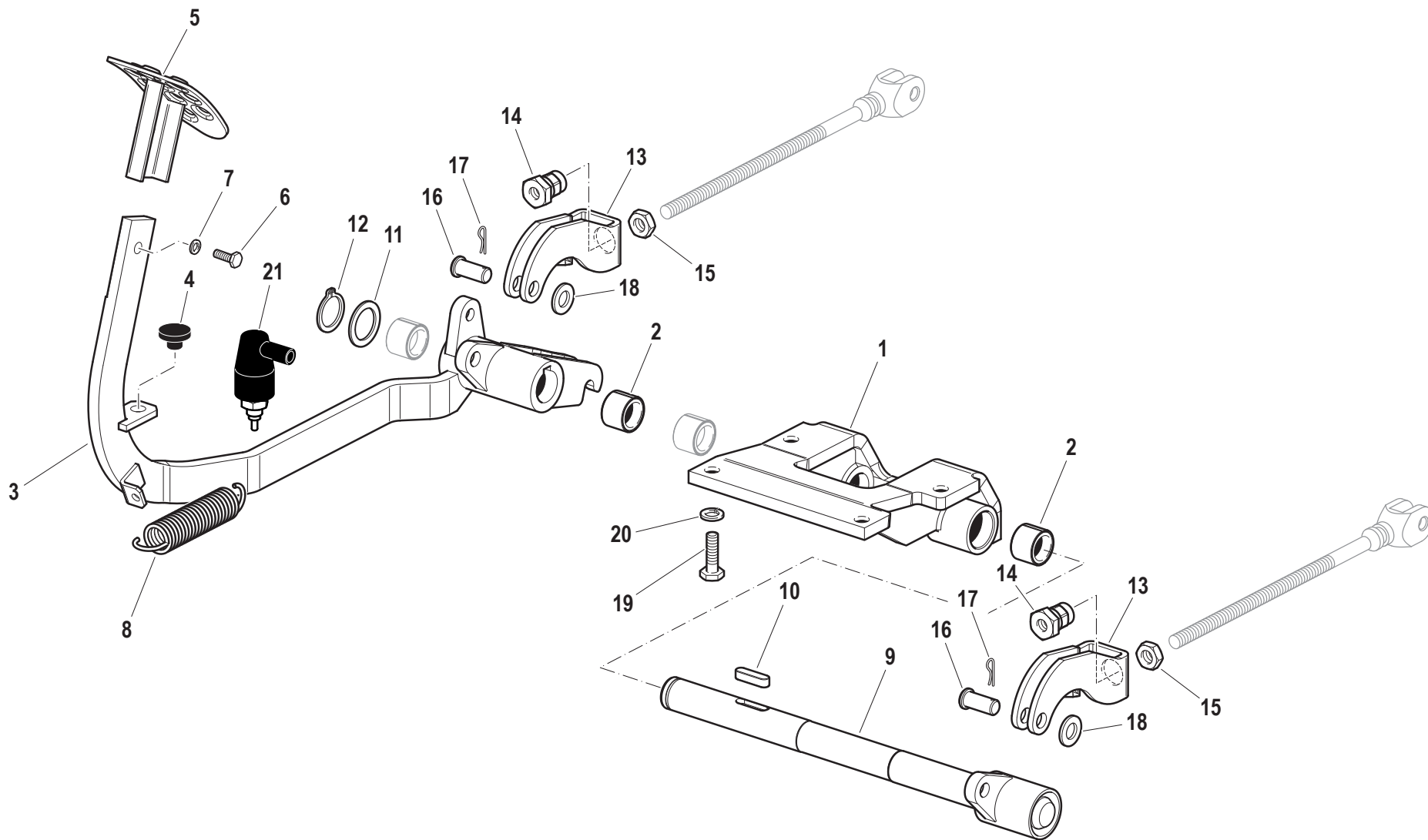
Pos.	Code	Q.ty	Description	Notes
1	35121022	1	SEEGER RING E 20 UNI 7436	
2	F0802187050	1	OIL SEAL 40x68/10	
3	35121040	1	SEEGER RING E 40 DIN 471	
4	F0801408000	4	SEEGER RINGI 68 UNI 7437	
5	37111400	2	BEARING 6008 (40X68X15)	
6	59079672	1	CONTROL SHAFT	
10	592A1187	1	DISC	
11	58171558	7	CLUTCH DISC	
12	58171559	6	DISC	
13	524A1233	1	DISC HUB	
14	56371551	1	FLANGE	
15	561A1188	4	DIST.D.12x10,1/31,1	
16	580A1189	8	COUPLING SPRING	
17	52071702	4	CLAMPING PLATE	
18	31111091	8	SCREW E M6X14 UNI 5739 8G	
19	37111460	1	BEARING 6209 (45X85X19)	
20	F0843643060	2	WASHER 8	
21	31112146	2	SCREW TE M8X22 UNI 5739 8G	
22	590A1683	1	BRACKET	
23	38212503	1	OIL SEAL 25x35/7	
24	522A1185	1	FRICTION RELEASE SLEEVE 55-65	
25	F0819180080	2	SPRING	
26	52371733	1	CLUTCH FORK	
27	F0802088050	1	SEAL 22x32x6	
28	31411210	1	WASHER 21x37	
29	31211100	1	NUT M10	
30	F0801241010	2	SEEGER RING	
31	590A1686	1	BRACKET	
32	31112150	2	SCREW TE M8X20 UNI 5739 8G	
33	563A1689	1	SCREW M10x43	



Pos.	Code	Q.ty	Description	Notes
1	59079597	1	PEDAL	
2	58171596	2	BUSHING	
3	F0822537050	1	BUFFER	
4	580A0360	1	RESTORING SPRING	
5	56471813	1	PIN	
6	F0810510000	1	SPLIT PIN A2,0X20 UNI 1336	
7	59071640	1	ROD	
8	56371714	1	PIN	
9	56371715	1	REGISTER	
10	F0814627000	1	NUT M10	
11	56079676	1	PLATE	
12	31112093	2	SCREW TE M6X20	
13	F0843570000	2	WASHER 6	
14	59079643	1	BRAKE PEDAL	
15	31112146	1	SCREW TE M8X22 UNI 5739 8G	
16	F0843643060	1	WASHER 8	
17	F0806533000	1	KEY 8X7X30 UNI 6604/A	
18	59079679	1	SHAFT	
19	35131026	1	SEEGER RING	

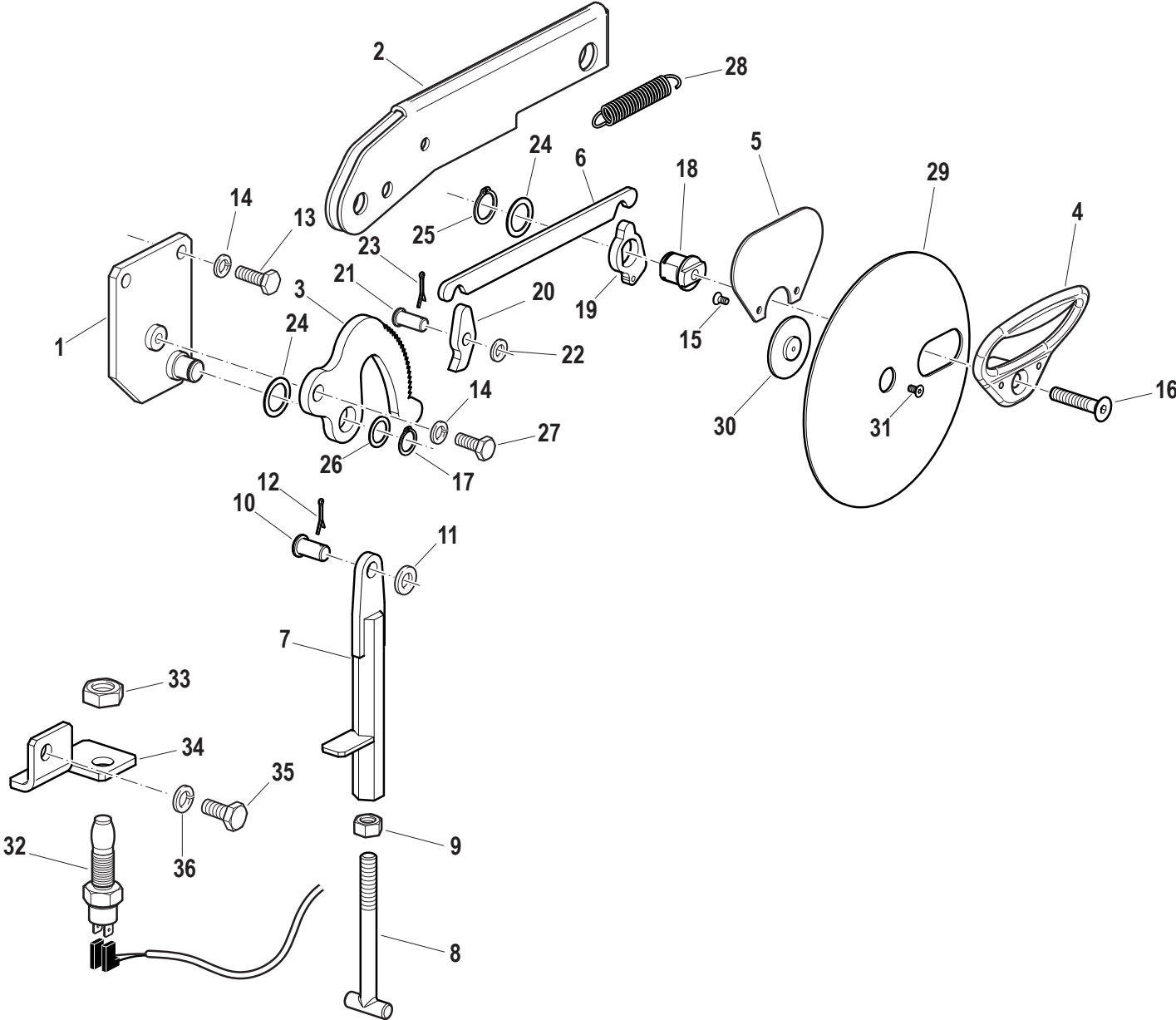


Pos.	Code	Q.ty	Description	Notes
1	58171706	2	BRAKE	
2	58171707	6	BRAKE DISC	
3	56371606	4	PIN	
4	56371605	2	PIN	
5	F0803186000	4	O-RING 123 (17,96X2,62)	
6	56371708	2	ROD	
7	56471709	2	PIN	
8	F0810510000	2	SPLIT PIN A2,0X20 UNI 1336	
9	55170047	2	BOOT	
10	56170043	2	COVER	
11	31411130	2	WASHER 13x24	
12	58070366	2	RETAINING SPRING	
13	31231120	4	NUT M12 UNI 5589 6S	
14	P453524010000	2	SHIM	



Pos.	Code	Q.ty	Description	Notes
1	590A0118	1	SUPPORT	
2	58171596	2	BUSHING	
3	59079612	1	PEDAL	
4	F0822537050	1	BUFFER	
5	59079643	1	BRAKE PEDAL	
6	31112146	1	SCREW TE M8X22 UNI 5739 8G	
7	F0843643060	1	WASHER 8	
8	58070373	1	RESTORING SPRING	
9	59079679	1	SHAFT	
10	F0806533000	1	KEY 8X7X30 UNI 6604/A	
11	56349629	1	RING SS 25x36/2 DIN 988	
12	35131026	1	SEEGER RING	
13	56171787	2	BRACKET	
14	52373177	2	NUT	
15	31231120	2	NUT M12 UNI 5589 6S	
16	56470797	2	PIN	
17	F0810510000	2	SPLIT PIN A2,0X20 UNI 1336	
18	31411130	2	WASHER 13x24	
19	31112219	4	SCREW TE M10X25 UNI 5739	
20	F0843755000	4	WASHER 10 DIN 128-B	
21	F0825488000	1	SWITCH	

PARKING BRAKE



Pos.	Code	Q.ty	Description	Notes
1	59079759	1	LEVER BEARING	
2	59079760	1	HANDBRAKE LEVER	
3	58179860	1	TOOTHED SECTOR	
4	56179770	1	HANDLE	
5	57379771	1	GUARD	
6	56179766	1	PULL ROD	
7	590A2787	1	SMALL COLUMN	
8	56379765	1	HANDBRAKE TIE-ROD	
9	31231090	1	NUT M10	
10	56479769	1	HINGE PIN	
11	31411105	1	WASHER 10,5x21	
12	F0810510000	1	SPLIT PIN A2,0X20 UNI 1336	
13	31112150	2	SCREW TE M8X20 UNI 5739 8G	
14	F0843643060	2	WASHER 8	
15	31132440	2	SCREW TSVEI M4X10 UNI 5933	
16	31133590	1	SCREW TSVEI M8X35 UNI 5933	
17	F0801095000	1	SEEGER RING E 14 7435 INOX	
18	563A2077	1	PIN	
19	56179763	1	BLANKING PLATE	
20	58179859	1	CLEVIS	
21	56479768	1	PIN	
22	31411064	1	WASHER 6,4x12,5	
23	34110021	1	SPLIT PIN A2,0X16 UNI 1336	
24	31400300	1	SHIM PS 19x26/1 DIN 988	
25	35121018	1	SEEGER RING E 18 DIN 471	
26	31400302	1	SHIM PS 15x22/1 DIN 988	
27	31112147	1	SCREW TE M8X18 UNI 5739 8G	
28	58073227	1	SPRING	
29	573A0371	1	DISC	
30	560A0372	1	SHIM	
31	31132440	1	SCREW TSVEI M4X10 UNI 5933	
32	58173230	1	PUSH-BUTTON	
33	31231141	2	NUT M14X1,5 UNI 5589 5S	
34	56179767	1	FIXING BRACKET	

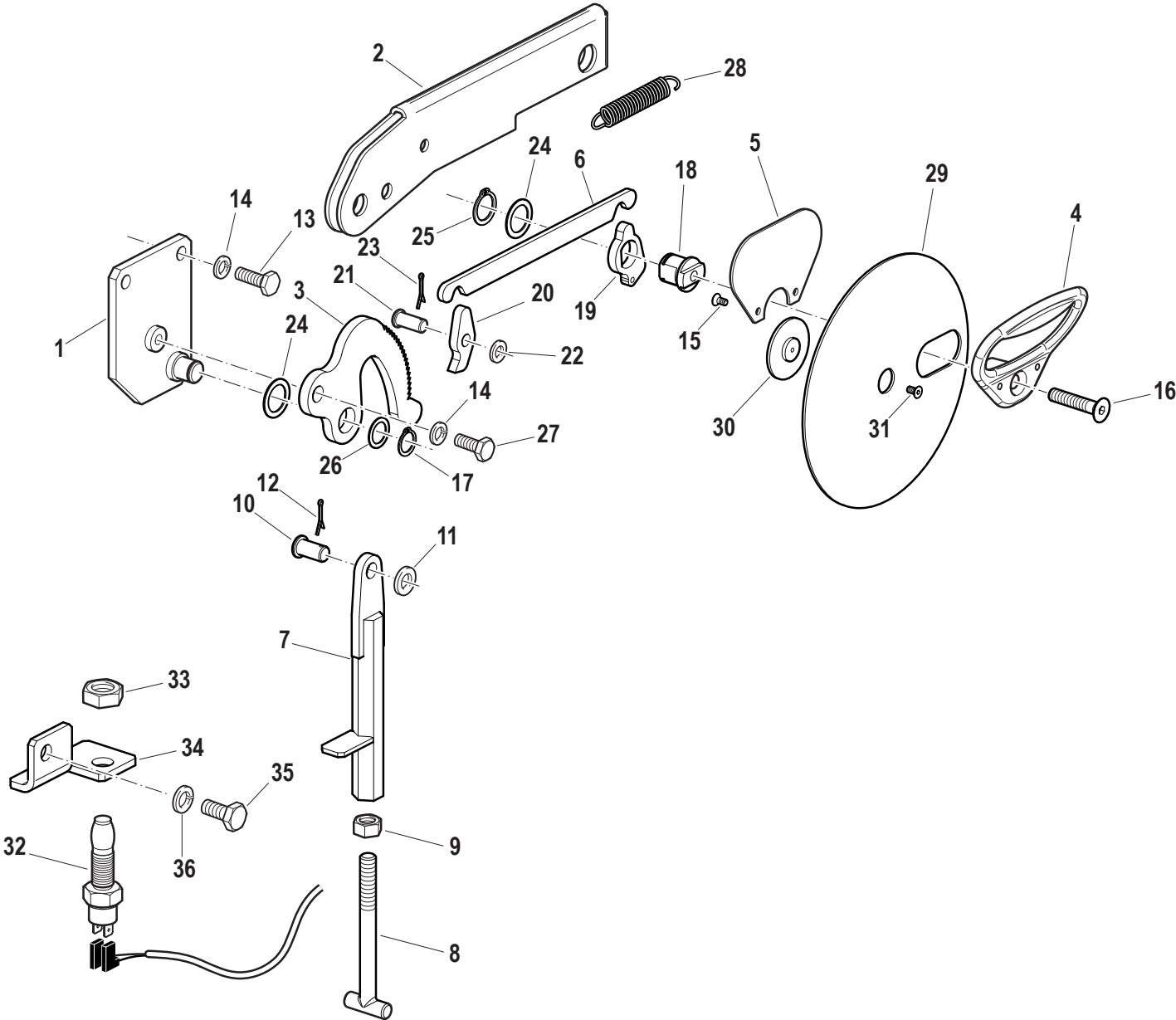
SERIAL

PARKING BRAKE

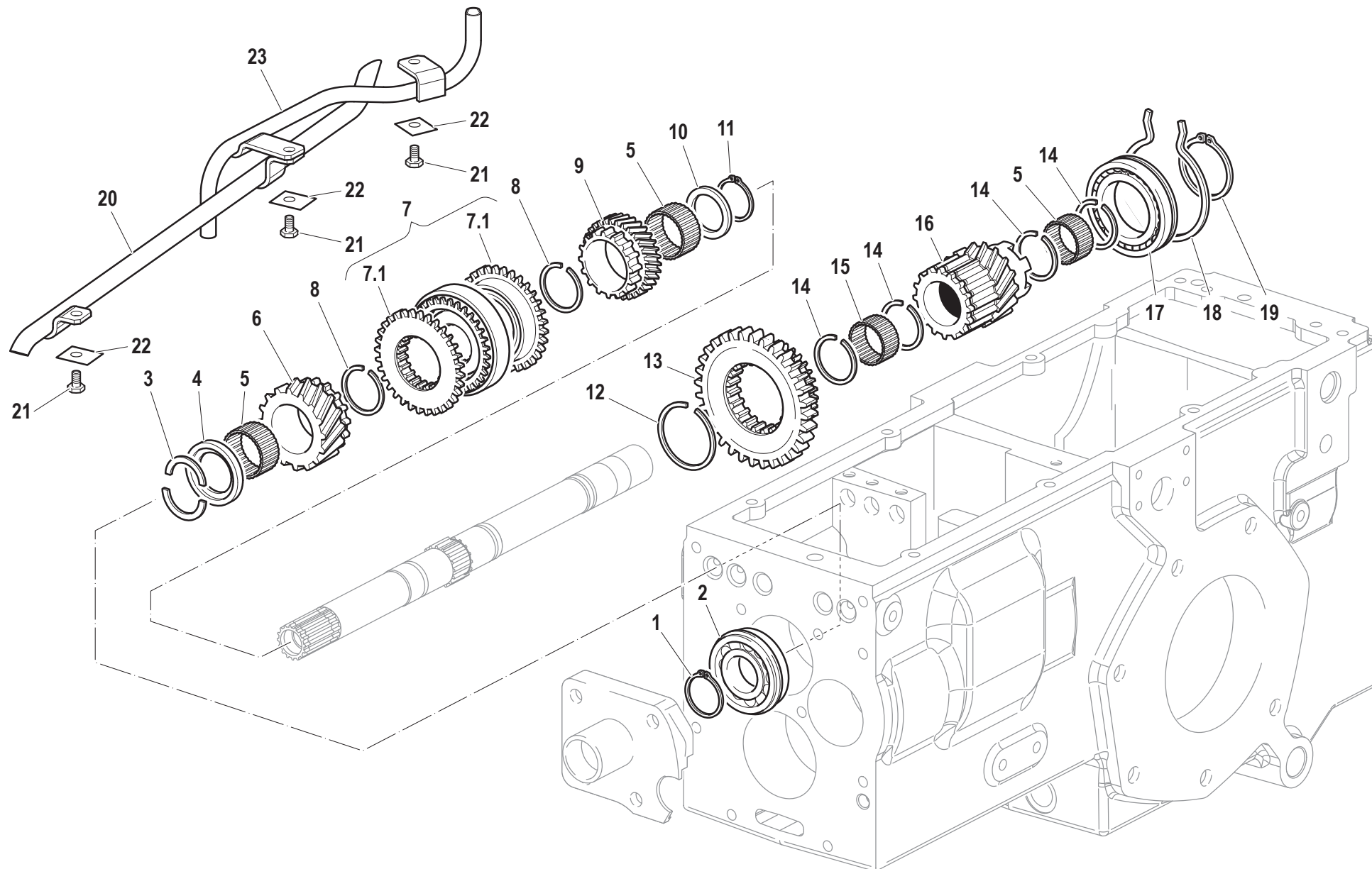
CODE REV

D.06.01.L40025_0

PARKING BRAKE

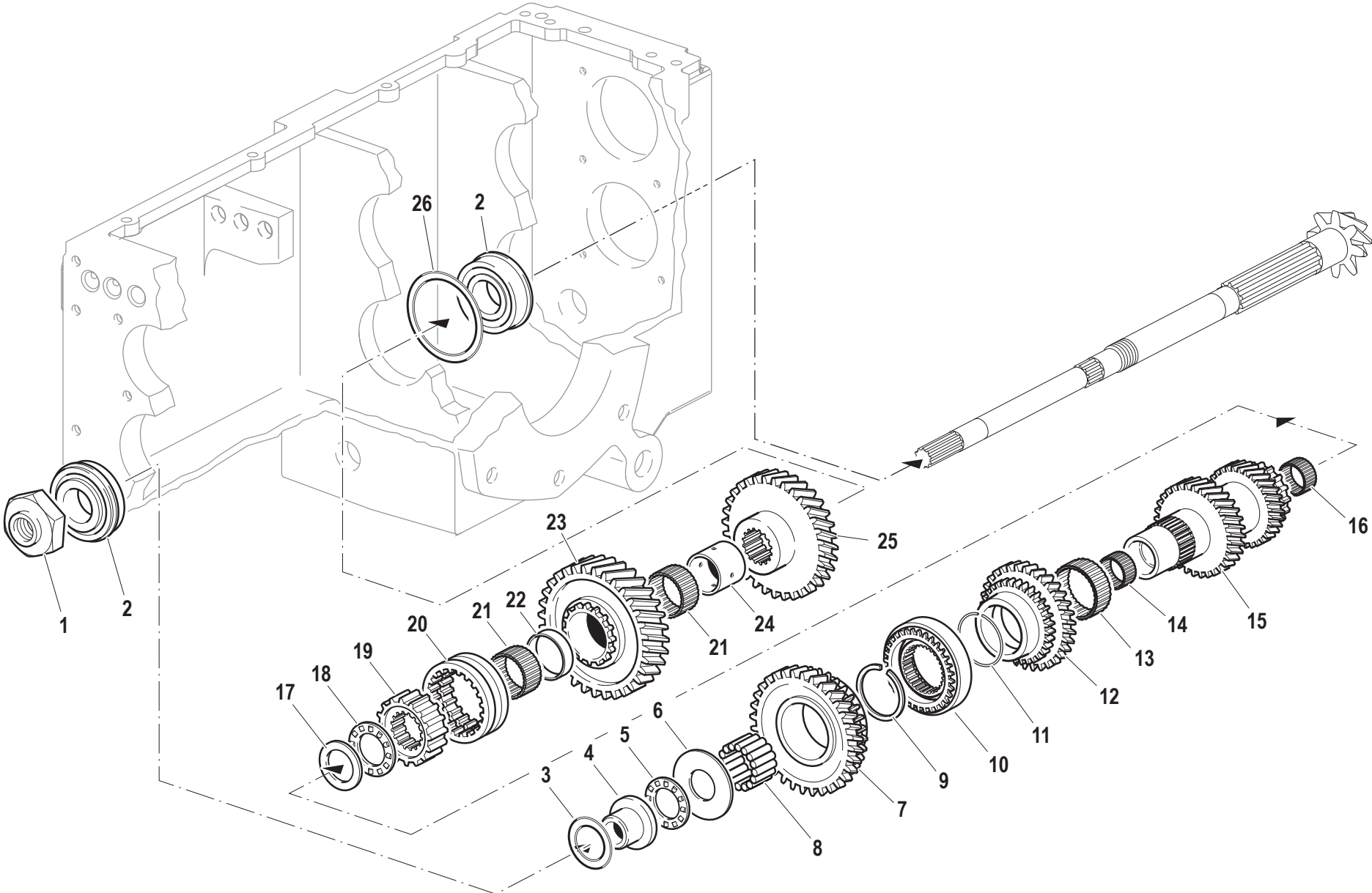


Pos.	Code	Q.ty	Description	Notes
35	31112208	1	SCREW TE M10X16 UNI 5739	
36	F0843755000	1	WASHER 10 DIN 128-B	



Pos.	Code	Q.ty	Description	Notes
1	F0801241010	1	SEEGER RING	
2	F0812750000	1	BEARING 6206-NR (30X62/16)	
3	56371440	2	HALF RING	
4	56471441	1	SHIM	
5	F0812737000	2	ROLLER CAGE K 30X35/27	
6	52479154	1	SPEED GEAR	
7	58179928	1	LOCK SYNCHRONIZER	
8	F0801266050	2	SAFETY RING SIC SW35	
9	52479155	1	SPEED GEAR	
10	56471654	1	SHIM	
11	35121030	1	SEEGER RING E 30 DIN 471	
12	F0801346200	1	SAFETY RING SIC SW48	
13	52479156	1	SLIDING GEAR	
14	F0801266000	4	SAFETY RING SIC BR35 DURKOOP	
15	F0812736010	1	ROLLER CAGE K 30X35/20 H	
16	52479158	1	CONDUCTOR GEAR	
17	50974166	1	BEARING 45x75x16	
18	58073788	1	SEEGER RING SPEC.D.70,8/1,7	
19	F0801331050	1	SEEGER RING E 45 UNI 7436	
20	590A2346	1	PIPE	
21	31112082	3	SCREW TE M6X12 UNI 5739 8G	
22	31450060	3	SMALL PLATE	
23	590A0756	1	VENT HOSE	

GEARS TRANSMISSION SHAFT / GEARS



Pos.	Code	Q.ty	Description	Notes
1	56371652	1	NUT	
2	37120000	1	BEARING4206 ATN9 (30x62x20)SKF	
3	58024193	0.2	SHIM	
3	58024194	0.2	SHIM	
3	58024195	0.2	SHIM	
3	58024196	0.2	SHIM	
3	58074109	0.2	SHIM	
4	56471655	1	BUSHING	
5	58173790	1	BEARING	
6	52473789	0.33	THRUST PLATE	
6	52473812	0.34	THRUST PLATE	
6	52473813	0.33	THRUST PLATE	
7	524A2303	1	DRIVE GEAR 1°VEL.50-60CV	
8	58179169	33	ROLLER	
9	F0801280100	1	SAFETY RING SIC SW38	
10	58175937	1	LOCK SYNCHRONIZER	
11	58072505	1	SHOULDERED WASHER	
12	52479164	1	DRIVEN GEAR	
13	F0812918050	1	ROLLER CAGE K 42X47/17	
14	F0812686100	1	ROLLER CAGE K 25X30X24 H	
15	524A2302	1	DO.DRI.GEAR 3°-4°VEL50-60CV	
16	F0812732080	1	ROLLER CAGE 27X34/17 H	
17	52473796	1	THRUST PLATE	
18	58173797	1	BEARING	
19	52473721	1	SLEEVE	
20	52471459	1	SLIDING SLEEVE	
21	F0812871030	2	ROLLER CAGE K 37X42/17	
22	56271457	1	SPACER	
23	52479160	1	DOUBLE GEAR	
24	56471461	1	BUSHING	
25	52479157	1	SPEED GEAR	
26	56371664	0.2	ADJUSTING RING	
26	56373440	0.2	ADJUSTING RING	
26	56371661	0.2	ADJUSTING RING	

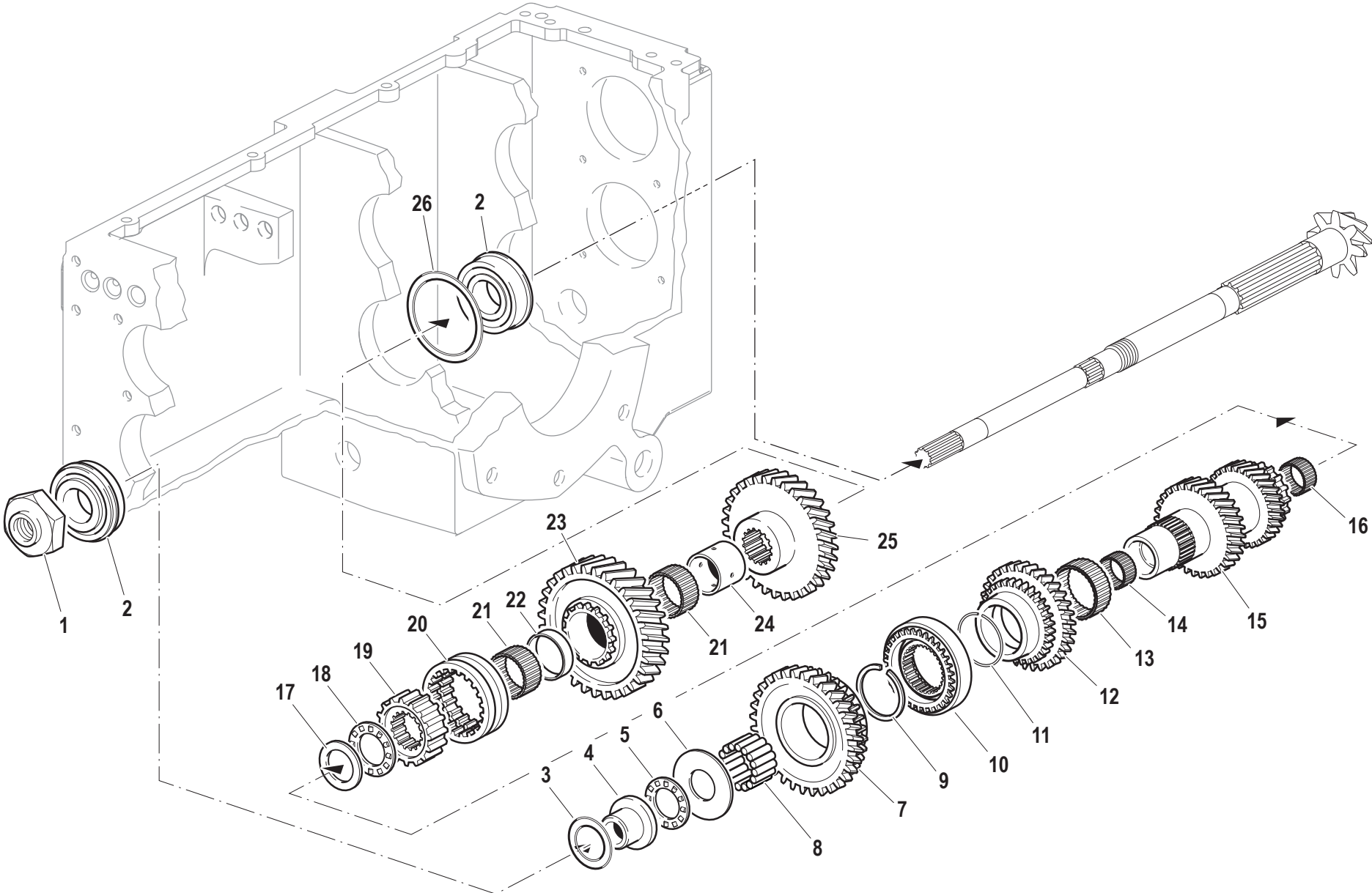
SERIAL

GEARS TRANSMISSION SHAFT / GEARS

CODE REV

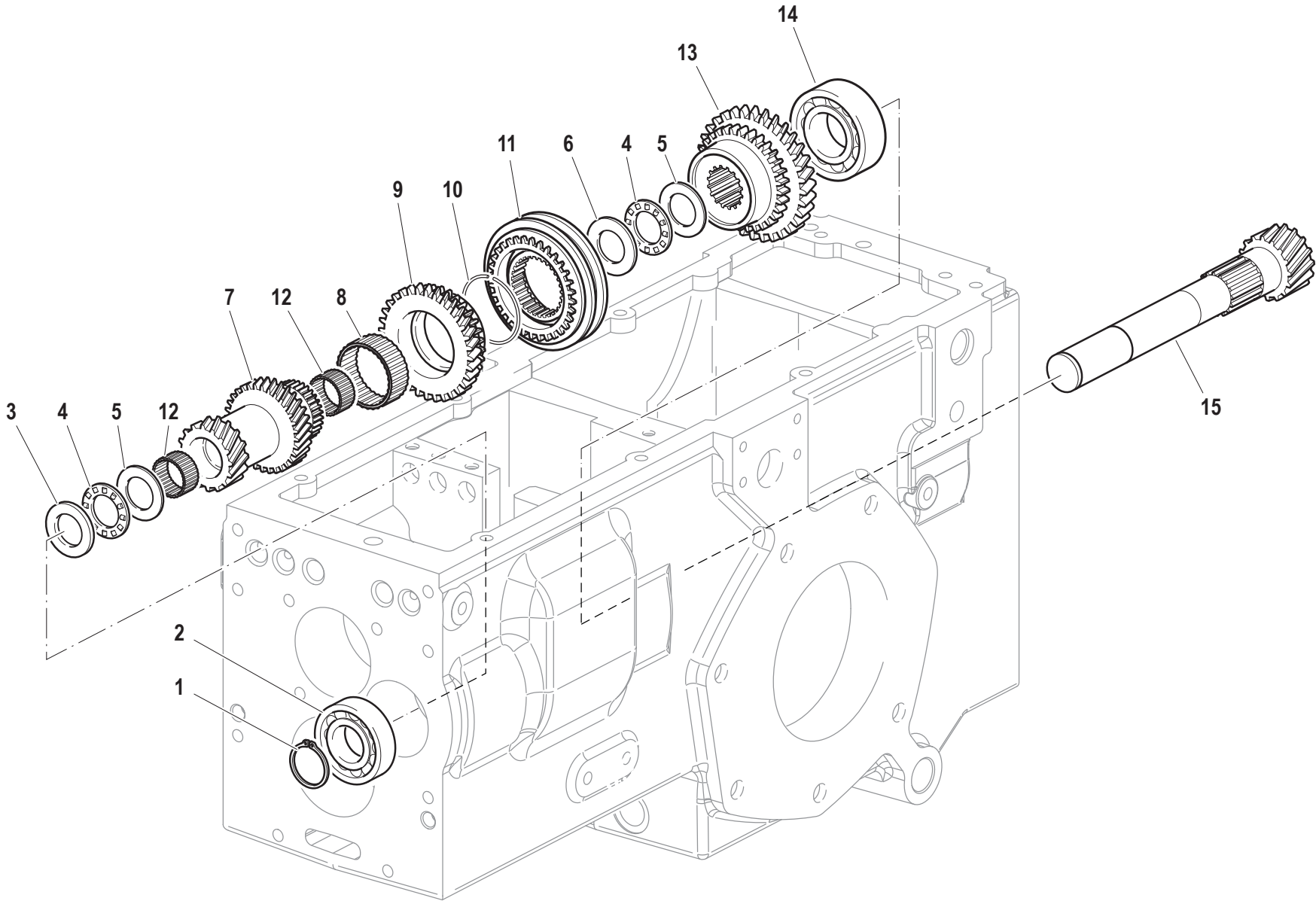
D.08.01.L40023_0

GEARS TRANSMISSION SHAFT / GEARS



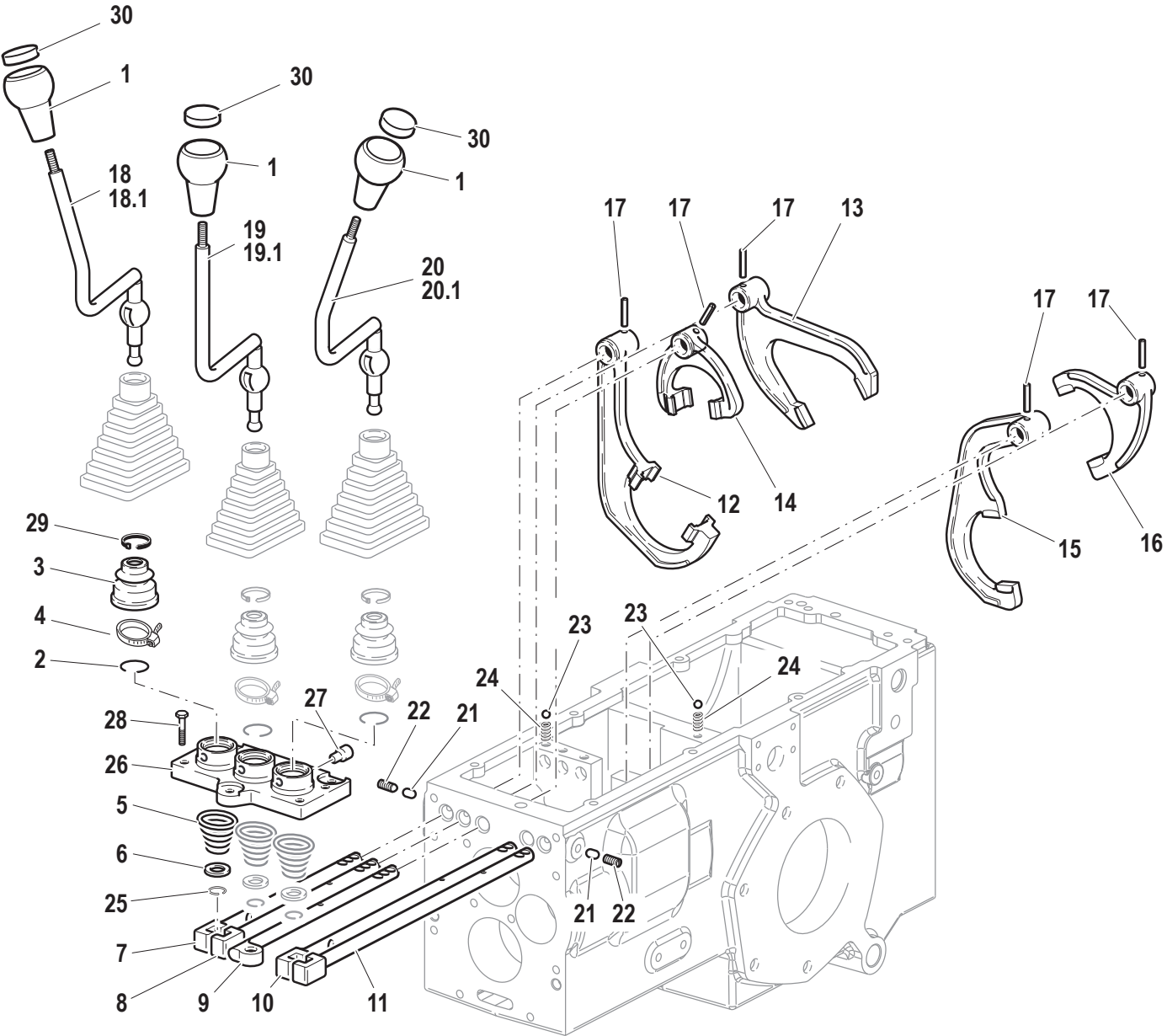
Pos.	Code	Q.ty	Description	Notes
26	56371662	0.2	ADJUSTING RING	
26	56371663	0.2	ADJUSTING RING	

COUNTERSHAFT AND CORRESPONDING GEARS



Pos.	Code	Q.ty	Description	Notes
1	35131026	1	SEEGER RING	
2	37120100	1	BEARING4205 ATN9 (25x52x18)SKF	
3	52473791	0.2	THRUST PLATE	
3	52473815	0.1	THRUST PLATE	
3	52474239	0.1	THRUST PLATE	
3	52477987	0.6	THRUST PLATE	
4	58173790	2	BEARING	
5	58173792	2	THRUST PLATE	
6	52477986	1	THRUST PLATE	
7	52479153	1	CONDUCTOR GEAR	
8	F0812918050	1	ROLLER CAGE K 42X47/17	
9	52479165	1	CONDUCTOR GEAR	
10	58072505	1	SHOULDERED WASHER	
11	58172571	1	LOCK SYNCHRONIZER	
12	F0812689000	2	ROLLER CAGE K 25X30/20 H	
13	52479161	1	CONDUCTOR GEAR	
14	37120000	1	BEARING4206 ATN9 (30x62x20)SKF	
15	52479152	1	DRIVE SHAFT	

GEARBOX CONTROLS



Pos.	Code	Q.ty	Description	Notes
1	581A1577	3	KNOB	
2	58070169	3	LOCKRING	
3	551A1603	3	GEAR LEVERS CAP	
4	F0817500470	3	CLAMP D.45-51(QB708045W2)	
5	58070164	3	SPRING	
6	56370172	3	SPACER D.14x24x2,5 8.8	
7	56379287	1	PULL ROD	
8	56379290	1	PULL ROD	
9	56379286	1	PULL ROD	
10	56379289	1	PULL ROD	
11	56379288	1	PULL ROD	
12	52275923	1	SELECTOR FORK	
13	52373240	1	SELECTOR FORK	
14	52275924	1	SELECTOR FORK	
15	51272405	1	SELECTOR FORK	
16	51279318	1	GEAR FORK	
17	F0851180000	5	PIN 5X26 DIN 1481 CL:C72	
18	59074180	1	COMMAND LEVER	
19	59074179	1	COMMAND LEVER	
20	59074181	1	COMMAND LEVER	
21	56571697	2	TOGGLE	
22	F0863105000	2	SCREW M10X10 UNI 5923	
23	F0847434000	5	BALL	
24	58070741	5	SPRING	
25	58070168	3	LOCKRING	
26	51171621	1	COVER	
27	56370018	6	HINGE PIN	
28	F0862694000	4	SCREW M8X170 UNI 5737	
29	F0817640003	3	CLAMP 4,8x180	
30	561A1576	3	ALU KNOB COVER	
18,1	590A2938	1	COMMAND LEVER	
19,1	590A2936	1	COMMAND LEVER	
20,1	590A2937	1	COMMAND LEVER	

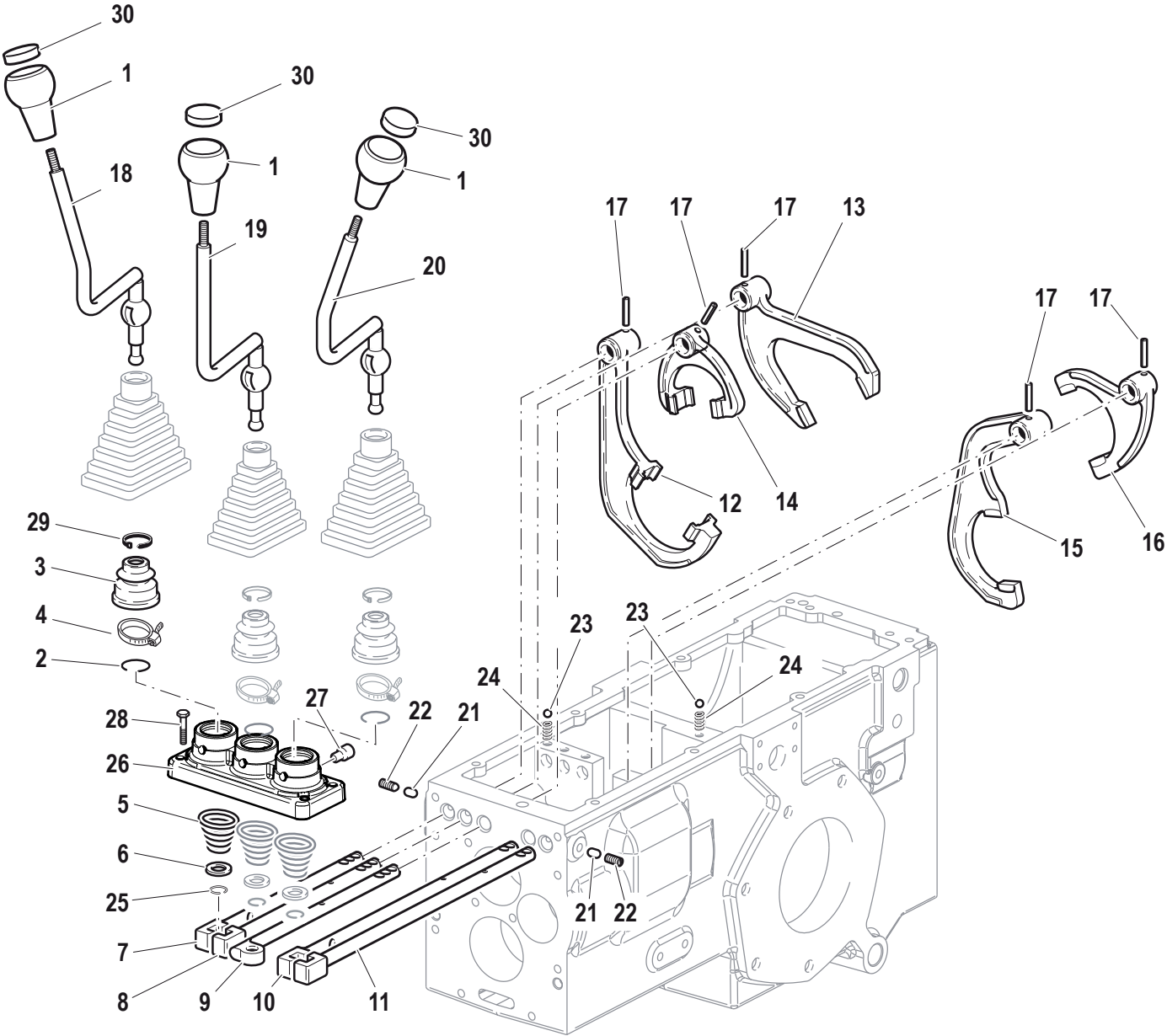
SERIAL

GEARBOX CONTROLS

CODE REV

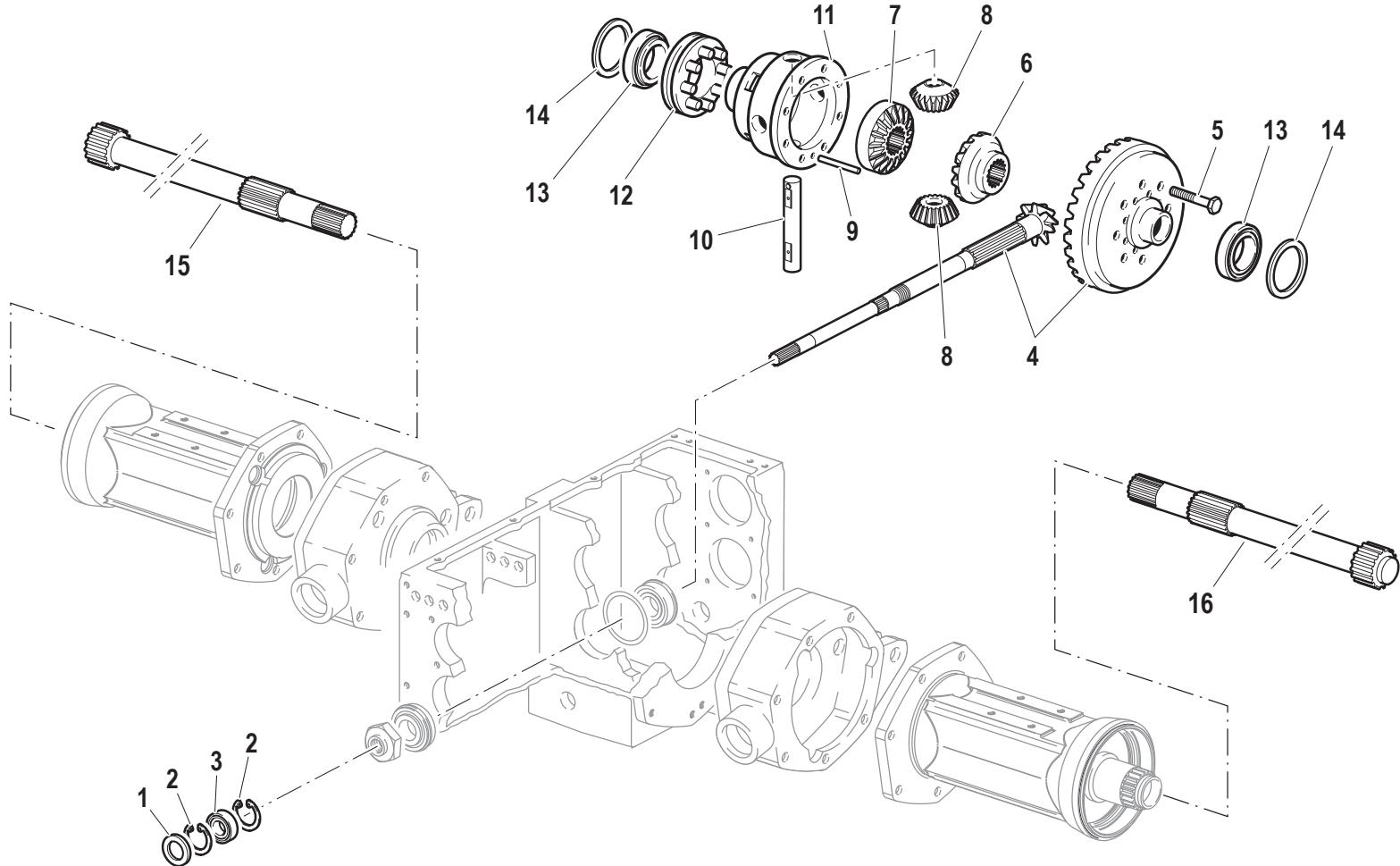
D.10.01.L40023_0

GEARBOX CONTROLS



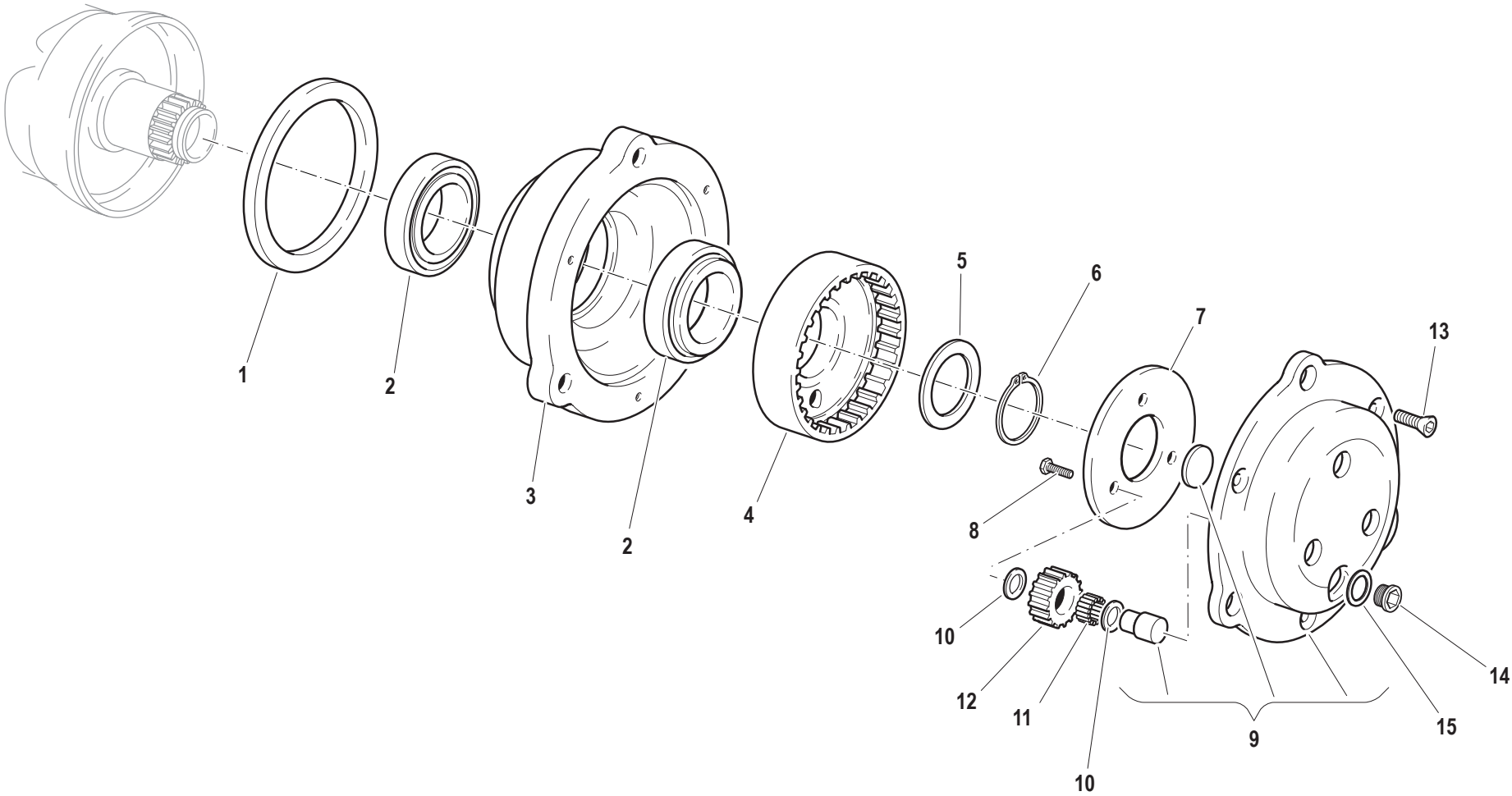
Pos.	Code	Q.ty	Description	Notes
1	581A1577	3	KNOB	
2	58070169	3	LOCKRING	
3	551A1603	3	GEAR LEVERS CAP	
4	F0817500470	3	CLAMP D.45-51(QB708045W2)	
5	58070164	3	SPRING	
6	56370172	3	SPACER D.14x24x2,5 8.8	
7	56379287	1	PULL ROD	
8	56379290	1	PULL ROD	
9	56379286	1	PULL ROD	
10	56379289	1	PULL ROD	
11	56379288	1	PULL ROD	
12	52275923	1	SELECTOR FORK	
13	52373240	1	SELECTOR FORK	
14	52275924	1	SELECTOR FORK	
15	51272405	1	SELECTOR FORK	
16	51279318	1	GEAR FORK	
17	F0851180000	5	PIN 5X26 DIN 1481 CL:C72	
18	590A2938	1	COMMAND LEVER	
19	590A2936	1	COMMAND LEVER	
20	590A2937	1	COMMAND LEVER	
21	56571697	2	TOGGLE	
22	F0863105000	2	SCREW M10X10 UNI 5923	
23	F0847434000	5	BALL	
24	58070741	5	SPRING	
25	58070168	3	LOCKRING	
26	511A2298	1	COVER	
27	56370018	6	HINGE PIN	
28	P000000005008	4	SCREW M8X30 DIN 7984 8G	
29	F0817640003	3	CLAMP 4,8x180	
30	561A1576	3	ALU KNOB COVER	

REAR TRANSMISSION

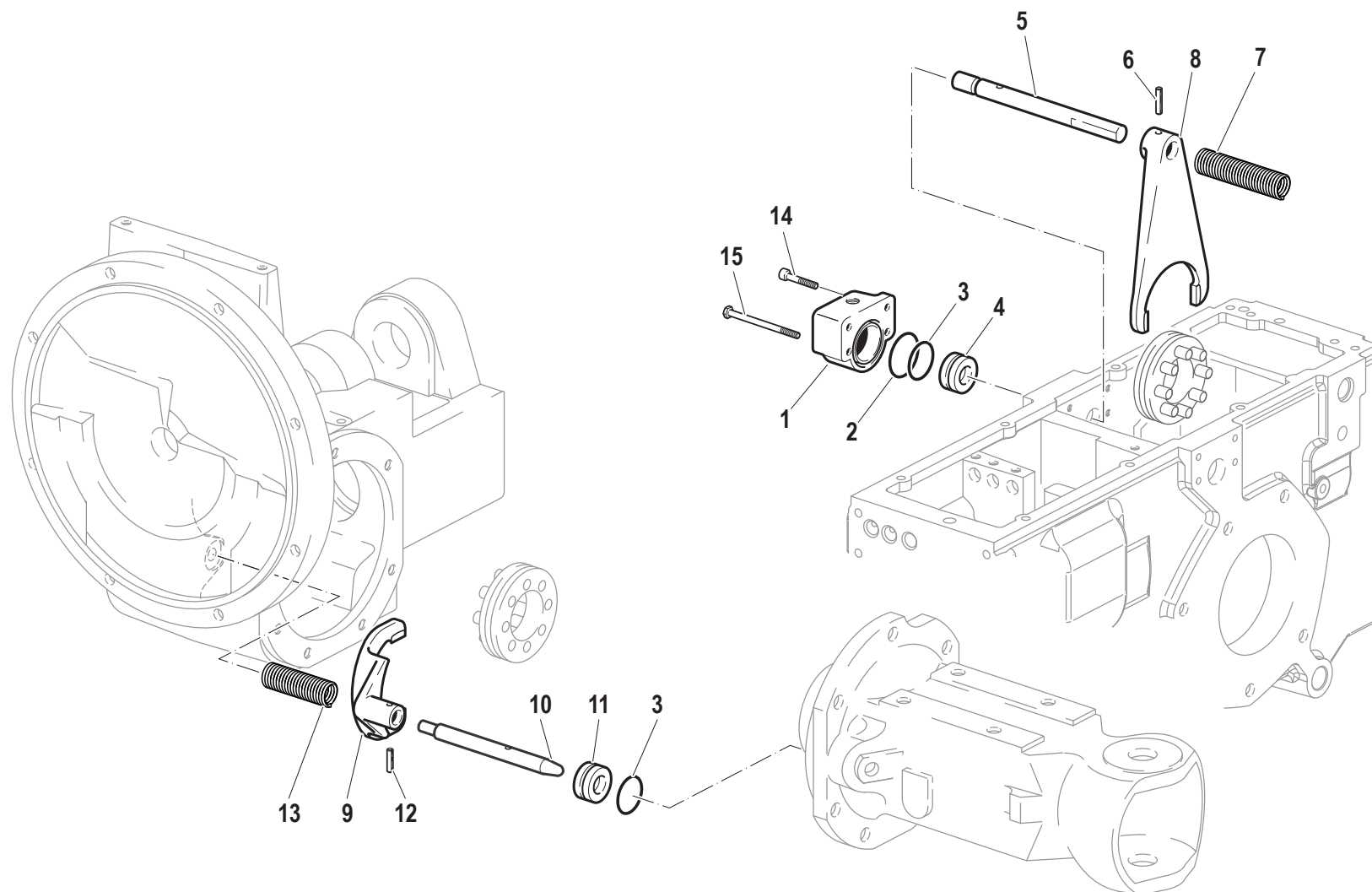


Pos.	Code	Q.ty	Description	Notes
1	38212006	1	OIL SEAL 20x42/7	
2	35111042	2	SEEGER RING I 42 DIN 472	
3	F0812631000	1	BEARING 6004 (20X42/12)	
4	59379580	1	BEVEL GEAR	
5	F0863267050	8	SCREW M10x25	
6	52471513	1	CROWN WHEEL	
7	52471516	1	CROWN WHEEL	
8	52471509	2	PLANETARY GEAR	
9	56371994	1	PIN	
10	56471508	1	PIN	
11	51374866	1	HOUSING	
12	59071518	1	SLEEVE	
13	F0812895000	2	BEARING 32008 (40X68X19)	
15	52572606	1	REAR AXLE SHAFT	
16	52572605	1	REAR AXLE SHAFT	
14,1	56371582	0.8	RING	
14,2	56371583	0.8	RING	
14,3	56371584	0.8	RING	
14,4	56371585	0.8	RING	
14,5	56371586	0.8	RING	

REDUCTION GEARS

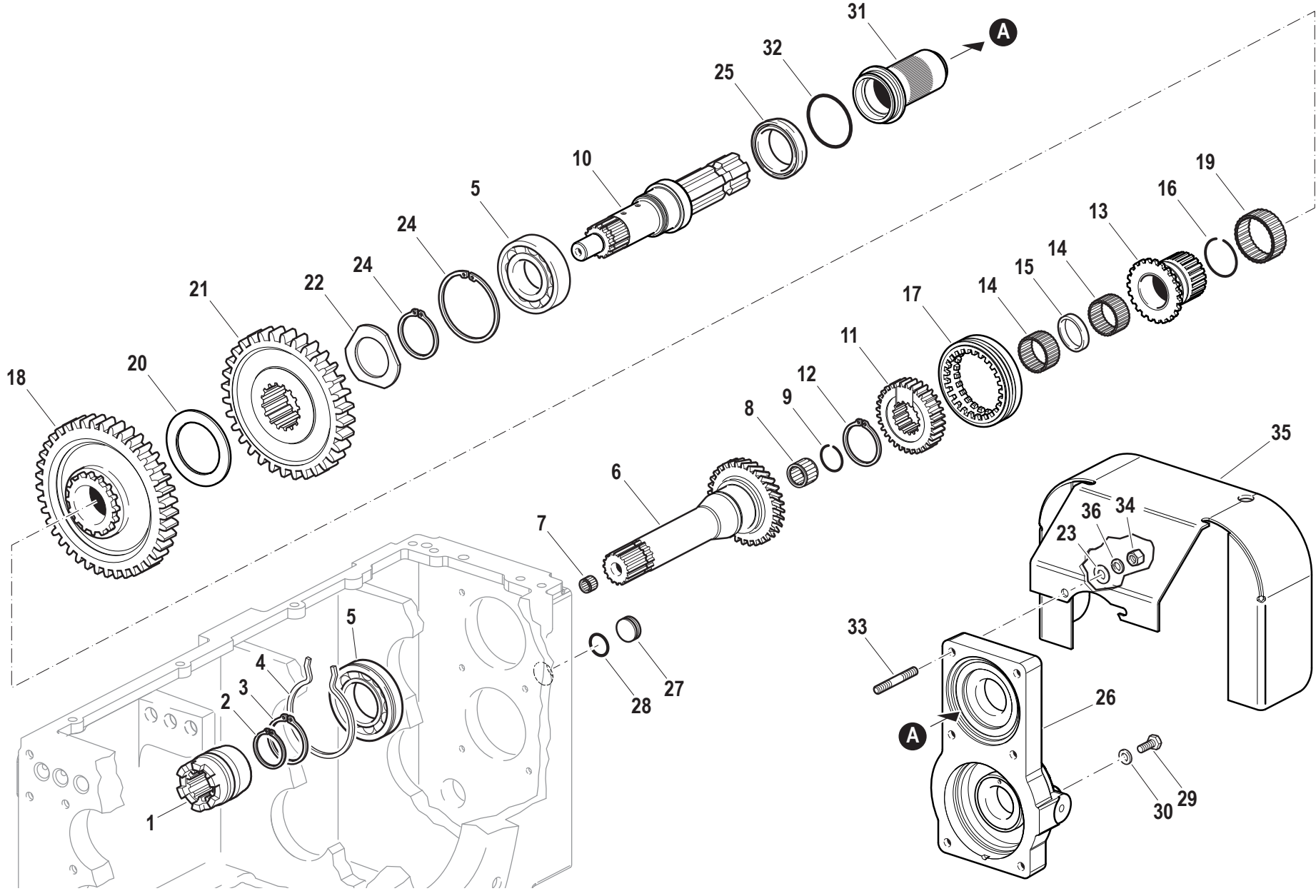


Pos.	Code	Q.ty	Description	Notes
1	F0802700150	2	SEAL 125x150x12	
2	F0812973000	4	BEARING 32011X	
3	51172508	2	HUB	
4	52473920	2	CROWN WHEEL	
5	56371575	0.3	SHIM	
5	56371576	0.3	SHIM	
5	56371577	0.3	SHIM	
5	56371578	0.3	SHIM	
5	56371579	0.3	SHIM	
5	56373349	0.3	SHIM	
5	56373350	0.3	SHIM	
6	F0801346000	2	SEEGER RING E 48 UNI 7436	
7	56173919	2	ADJUSTING RING	
8	F0862090000	6	SCREW M6X16 8.8	
9	59273944	2	COVER	
10	58171567	12	SHIM	
11	58171653	120	ROLLER	
12	52473921	6	PLANETARY GEAR	
13	F0862655000	6	SCREW M8X25-5933	
14	56370081	2	PLUG	
15	F0844273090	2	GASKET 22X28X1,5 CU 99,5	



Pos.	Code	Q.ty	Description	Notes
1	52378576	1	LOCKING MECHANISM	
2	F0803209000	1	O-RING 3156	
3	58170195	1	GASKET	
4	56370187	1	PISTON	
5	56371646	1	LOCKING DEVICE	
6	F0851267050	1	PIN 6X30 DIN 7343 CL:C72	
7	58070198	1	SPRING	
8	51271647	1	FORK	
9	51271615	1	FORK	
10	56371613	1	LOCKING DEVICE	
11	56370583	1	PISTON	
12	F0851260000	1	PIN 6X24 DIN 1481	
13	58070205	1	SPRING	
14	31152085	2	SCREW TCEI M8X25 UNI 5931	
15	31112161	2	SCREW TE M8X50 UNI 5737 8G	

POWER TAKE-OFF



D.14.01.L40023_0.ai

Pos.	Code	Q.ty	Description	Notes
1	52474190	1	GEAR SLEEVE	
2	35121030	1	SEEGER RING E 30 DIN 471	
3	35121040	1	SEEGER RING E 40 DIN 471	
4	58179237	1	SEEGER RING	
5	F0812899000	2	BEARING 6208-NR	
6	52479220	1	CONTROL SHAFT	
7	F0812525100	1	BUSHING HK1210-B	
8	F0812599090	1	ROLLER CAGE K 18x24/20	
9	F0801175500	1	SAFETY RING SIC BR24	
10	52479225	1	PTO SHAFT	
11	52479223	1	FIX SLEEVE	
12	F0801244080	1	SEEGER RING E 32X2 UNI 7436	
13	52479222	1	GEAR SLEEVE	
14	37321317	2	ROLLER CAGE 32X37X17	
15	56379267	1	SPACER	
16	37931413	1	SAFETY RING SIC BR37	
17	52479233	1	SHIFTING CLAW	
18	524A2294	1	DRIVE GEAR PDF 540 K60-V65	
19	F0812951200	1	ROLLER CAGE K 50X55/20 H	
20	56475568	1	SHIM	
21	524A2296	1	DRIVE GEAR PDF 750 K60-V65	
22	56479240	1	THRUST PLATE	
23	31411084	2	WASHER 8,4x17	
24	F0801297050	2	SEEGER RING E 40x2,5 U/7436	
25	F0802228005	1	SEAL 48x65/10	
26	59379041	1	COVER	
27	56074313	1	PLUG	
28	F0803199010	1	O-RING 132 (23,81X2,62)	
29	F0862448100	1	SCREW M8X10 UNI 5740	
30	F0843641000	1	COPPER WASHER 8x14/1,5	
31	P470330000000	1	GUARD	
32	P470433000000	1	PROTECTIVE RING	
33	31312087	6	PRIG.M8x40 UNI 5911 8.8 ZNT/B	
34	31211080	6	NUT M8	

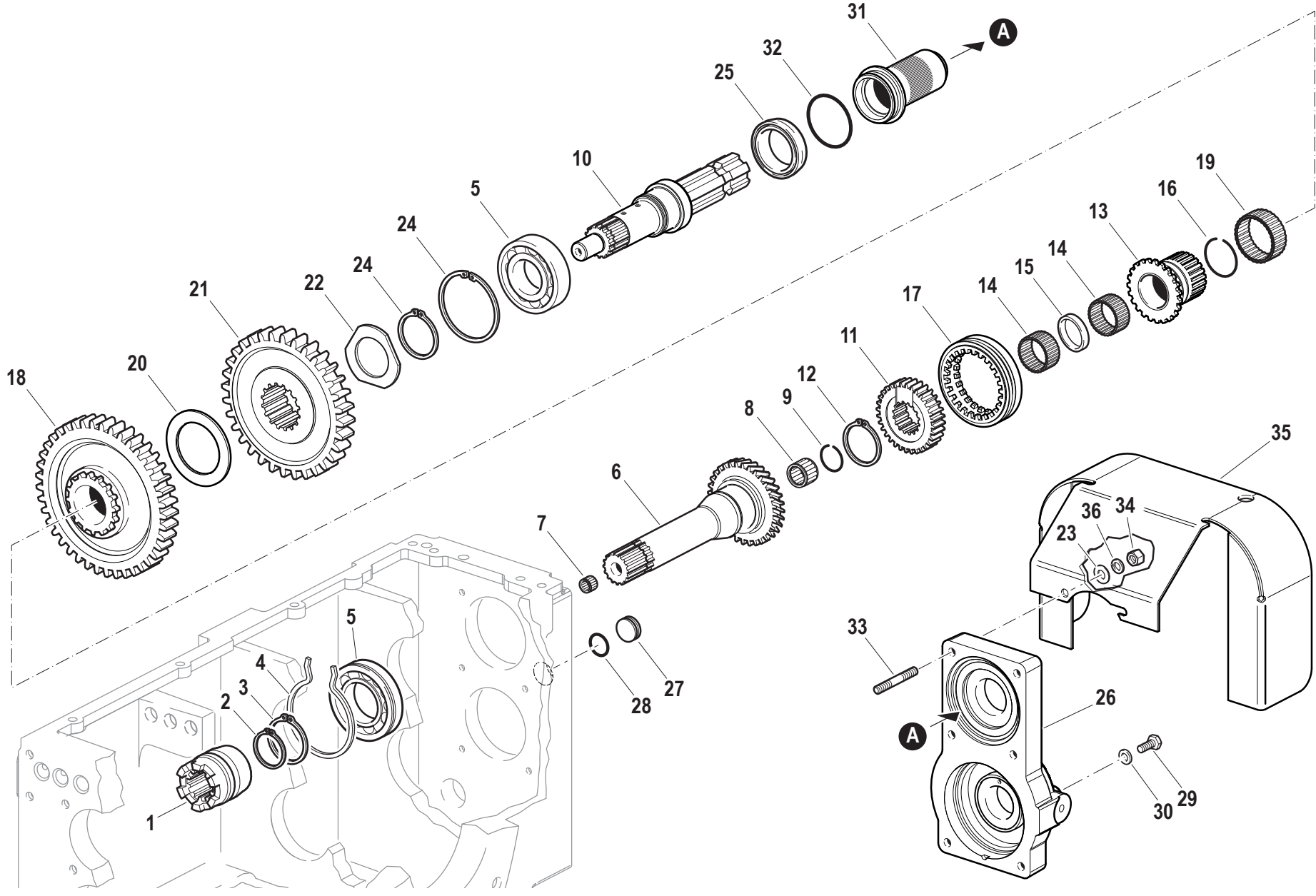
SERIAL

POWER TAKE-OFF

CODE REV

D.14.01.L40023_0

POWER TAKE-OFF



D.14.01.L40023_0.ai

Pos.	Code	Q.ty	Description	Notes
35	560A1035	1	P.T.O. PROTECTION	
36	F0843643060	2	WASHER 8	

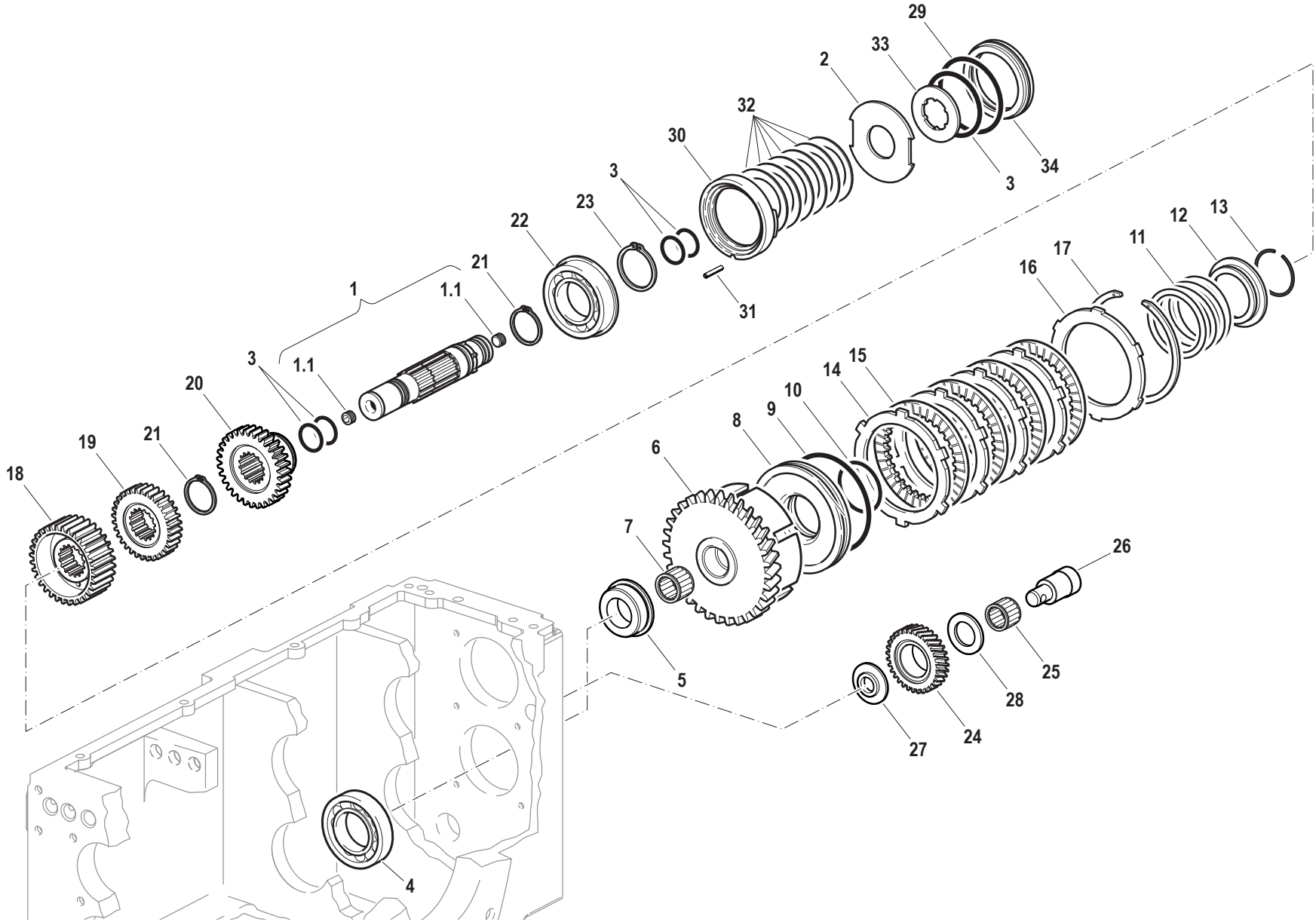
Pos.	Code	Q.ty	Description	Notes
1	52474190	1	GEAR SLEEVE	
2	35121030	1	SEEGER RING E 30 DIN 471	
3	35121040	1	SEEGER RING E 40 DIN 471	
4	58179237	1	SEEGER RING	
5	F0812899000	2	BEARING 6208-NR	
6	52479220	1	CONTROL SHAFT	
7	F0812525100	1	BUSHING HK1210-B	
8	F0812599090	1	ROLLER CAGE K 18x24/20	
9	F0801175500	1	SAFETY RING SIC BR24	
10	52479225	1	PTO SHAFT	
11	52479223	1	FIX SLEEVE	
12	F0801244080	1	SEEGER RING E 32X2 UNI 7436	
13	52479222	1	GEAR SLEEVE	
14	37321317	2	ROLLER CAGE 32X37X17	
15	56379267	1	SPACER	
16	37931413	1	SAFETY RING SIC BR37	
17	52479233	1	SHIFTING CLAW	
18	524A2294	1	DRIVE GEAR PDF 540 K60-V65	
19	F0812951200	1	ROLLER CAGE K 50X55/20 H	
20	56475568	1	SHIM	
21	524A2296	1	DRIVE GEAR PDF 750 K60-V65	
22	56479240	1	THRUST PLATE	
23	31211080	6	NUT M8	
24	F0801297050	2	SEEGER RING E 40x2,5 U/7436	
25	F0802228005	1	SEAL 48x65/10	
26	59379041	1	COVER	
27	56074313	1	PLUG	
28	F0803199010	1	O-RING 132 (23,81X2,62)	
29	F0862448100	1	SCREW M8X10 UNI 5740	
30	F0843641000	1	COPPER WASHER 8x14/1,5	
31	P470330000000	1	GUARD	
32	P470433000000	1	PROTECTIVE RING	
33	31312087	6	PRIG.M8x40 UNI 5911 8.8 ZNT/B	

SERIAL

PTO WITH FRAME SLIDER AND HOOK

CODE REV

D.14.02.L40023_0



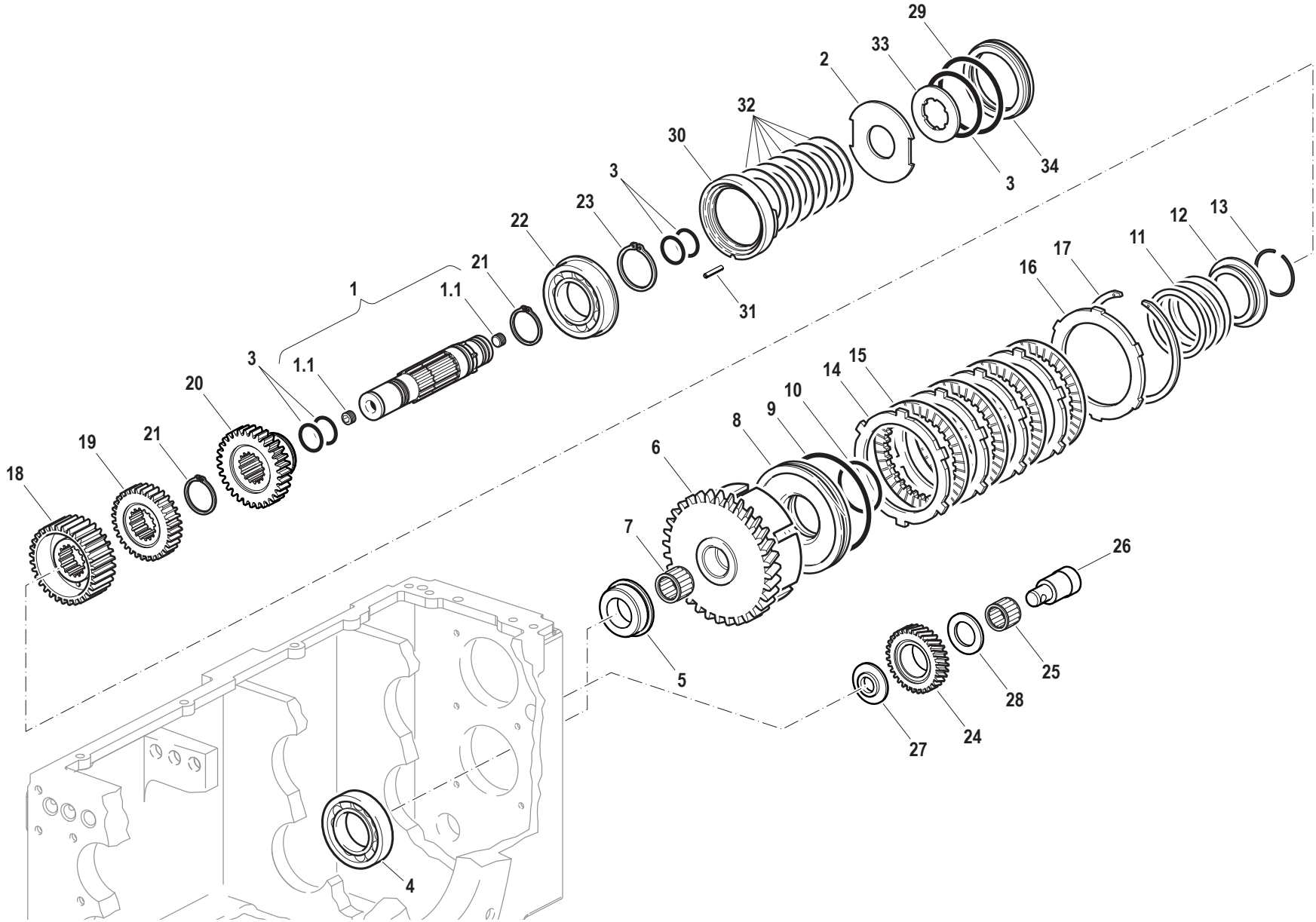
Pos.	Code	Q.ty	Description	Notes
1	56479697	1	SHAFT	
1,1	F0852578060	2	CONICAL PLUG	
2	56474713	0.1	3,8MM BRAKE REACTION DISC	
2	56475517	0.25	3,9MM BRAKE REACTION DISC	
2	56473890	0.3	4,0MM BRAKE REACTION DISC	
2	56475518	0.25	4,1MM BRAKE REACTION DISC	
2	56474714	0.1	4,2MM BRAKE REACTION DISC	
2	58072398	4	SEAL 30,3/26,8x1,88	
3	38116317	1	RING OR 3250 (63,17X2,62)	
4	37112503	1	BEARING .6010 NR (50x80x16)	
5	56479239	1	BUSHING	
6	56479221	1	CLUTCH HOUSING	
7	F0812736010	1	ROLLER CAGE K 30X35/20 H	
8	53279226	1	PISTON	
9	58172400	1	GASKET	
10	58172402	1	GASKET	
11	58074092	1	RESTORING SPRING	
12	563A2120	1	RING	
13	58072399	1	SAFETY RING	
14	58172448	4	DISC	
15	58172447	4	DISC	
16	52372292	1	RING	
17	58072389	1	CIRCLIP	
18	52579229	1	DISC HUB	
19	524A2293	1	DRIVE GEAR PDF 540K60-V65	
20	524A2295	1	DRIVE GEAR PDF 750K60-V65	
21	F0801264050	2	SEEGER RING E 35X2,5 U/7436	
22	37111461	1	BEARING .6209 NR (45x85x19)	
23	F0801331000	1	SEEGER RING E 45 UNI 7435	
24	52479236	1	PTO GEAR	
25	F0812689050	1	ROLLER CAGE K 25X33/20	
26	52479238	1	GEAR PIN	
27	56479241	1	THRUST PLATE	
28	56479242	1	THRUST PLATE	

SERIAL

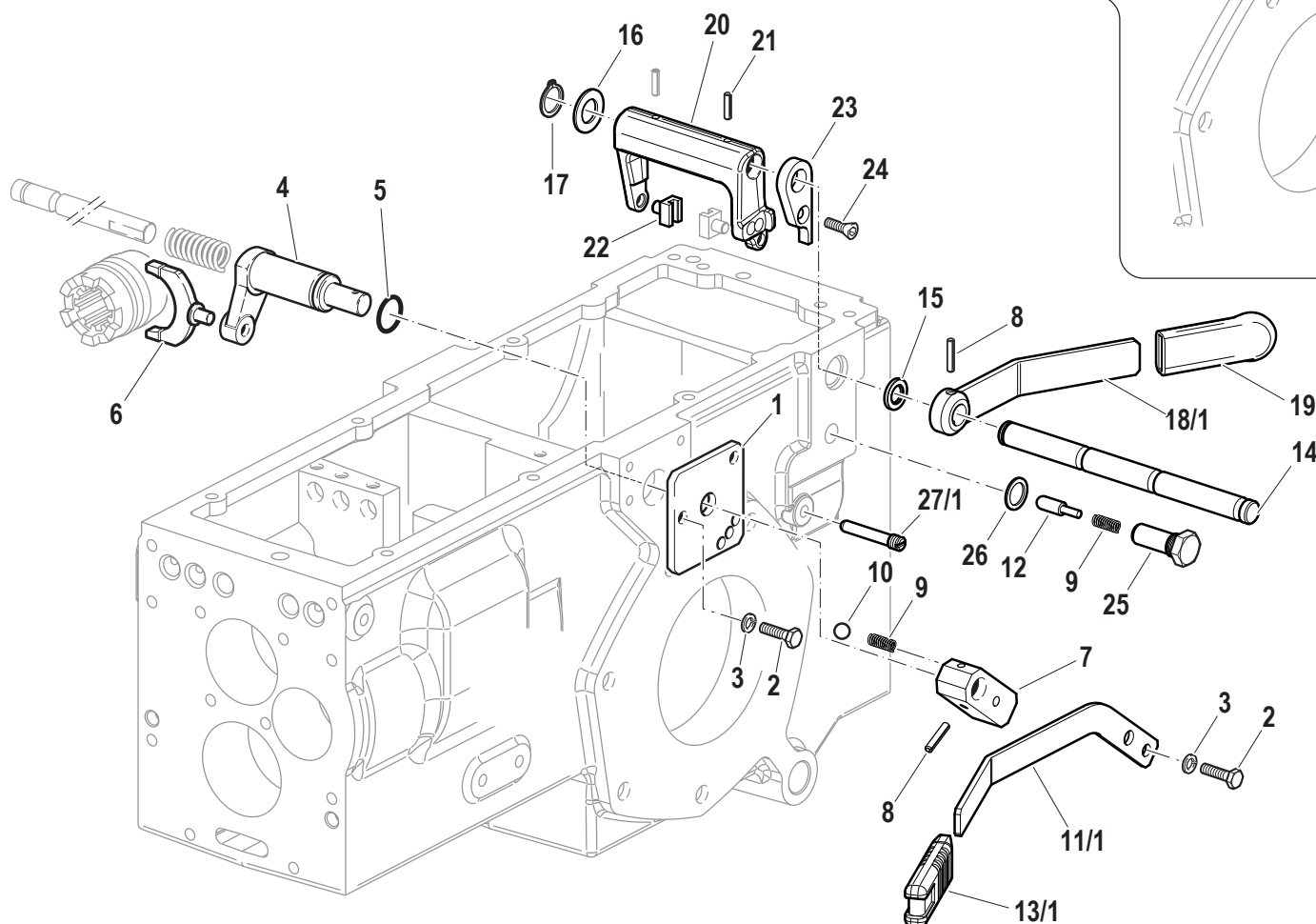
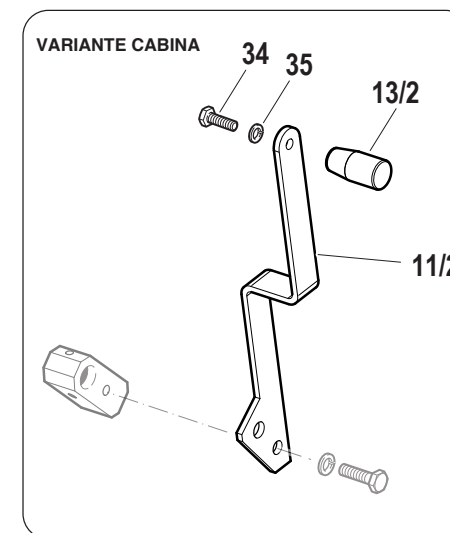
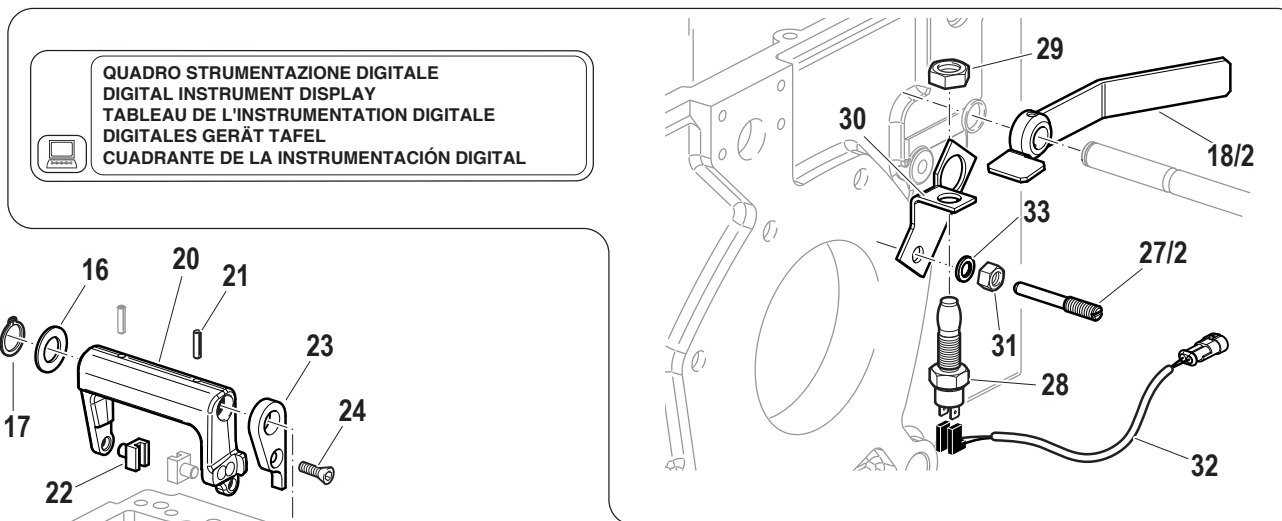
POWER TAKE-OFF

CODE REV

D.15.01.L40023_0

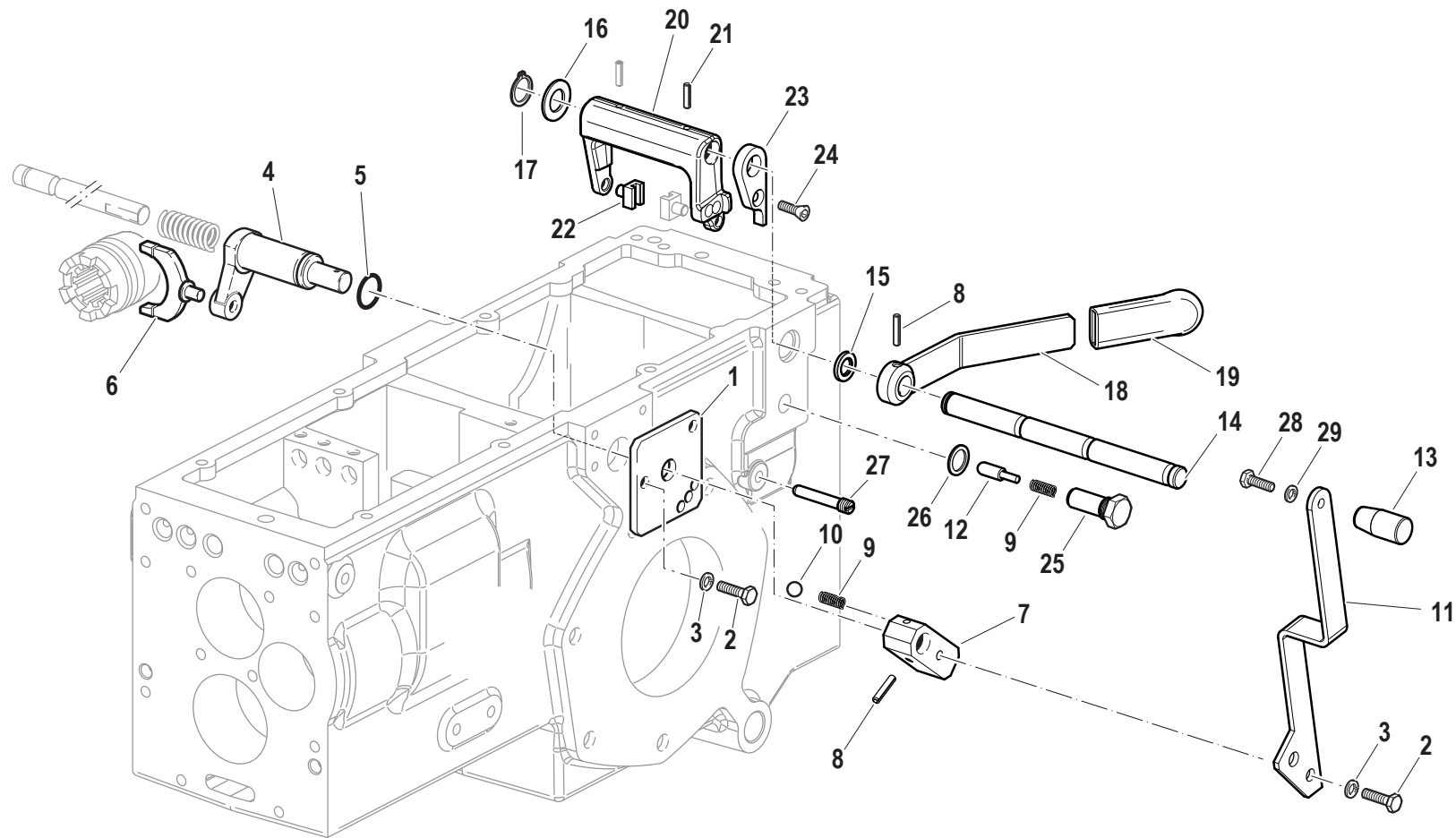


Pos.	Code	Q.ty	Description	Notes
29	38118720	1	O-RING 4350 (88,5X3,53)	
30	56479039	1	SPACER	
31	F0851226000	1	PIN 6X12 UNI 1707 CL:C20	
32	58075515	6	SPRING 79,5x50,5x0,80	
33	56475844	1	BRAKE DISC	
34	53273891	1	PISTON	

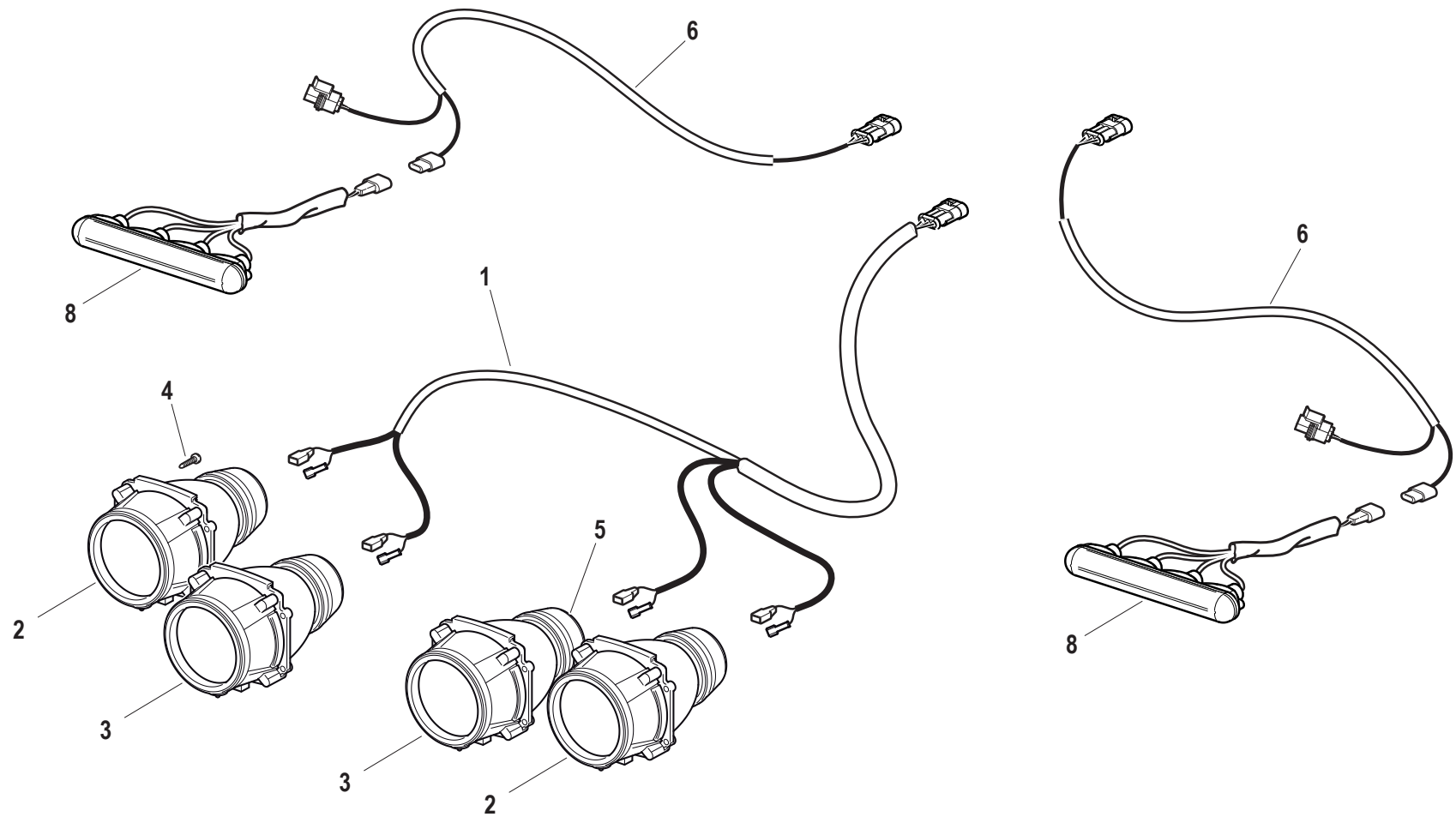


Pos.	Code	Q.ty	Description	Notes
1	59072754	1	PLATE	
2	31112150	3	SCREW TE M8X20 UNI 5739 8G	
3	F0843643060	3	WASHER 8	
4	52371679	1	LEVER	
5	38112200	1	O-RING 3087 (22,00X2,62)	
6	52472430	1	SELECTOR FORK	
7	561A0430	1	SMALL BLOCK	
8	34211054	2	ROLL PIN	
9	58070741	2	SPRING	
10	F0847434000	1	BALL	
11	590A0429	1	COMMAND LEVER	
11,02	590A0427	1	COMMAND LEVER	
12	56379323	1	TOGGLE	
13	58175187	1	KNOB	
14	56379325	1	ROD	
15	38211601	2	OIL SEAL BA 16x24x4	
16	31411170	1	WASHER 17x30	
17	F0801116050	1	SEEGER RING E 16 UNI 7436	
18	59079324	1	PTO LEVER	
19	F0828468050	1	GRIP	
20	59079319	1	SELECTOR FORK	
21	34213054	2	ROLL PIN	
22	52479321	2	SHOE	
23	56179322	1	BRACKET	
24	31132562	1	SCREW TSVEI M6X16 UNI 5933	
25	56379320	1	CASING	
26	F0844030070	1	COPPER WASHER 16,0x22/1,5	
27	56379266	1	SCREW M10x1,5/55 C40BON	

POWER TAKE-OFF CONTROLS (VERSION WITH CAB)

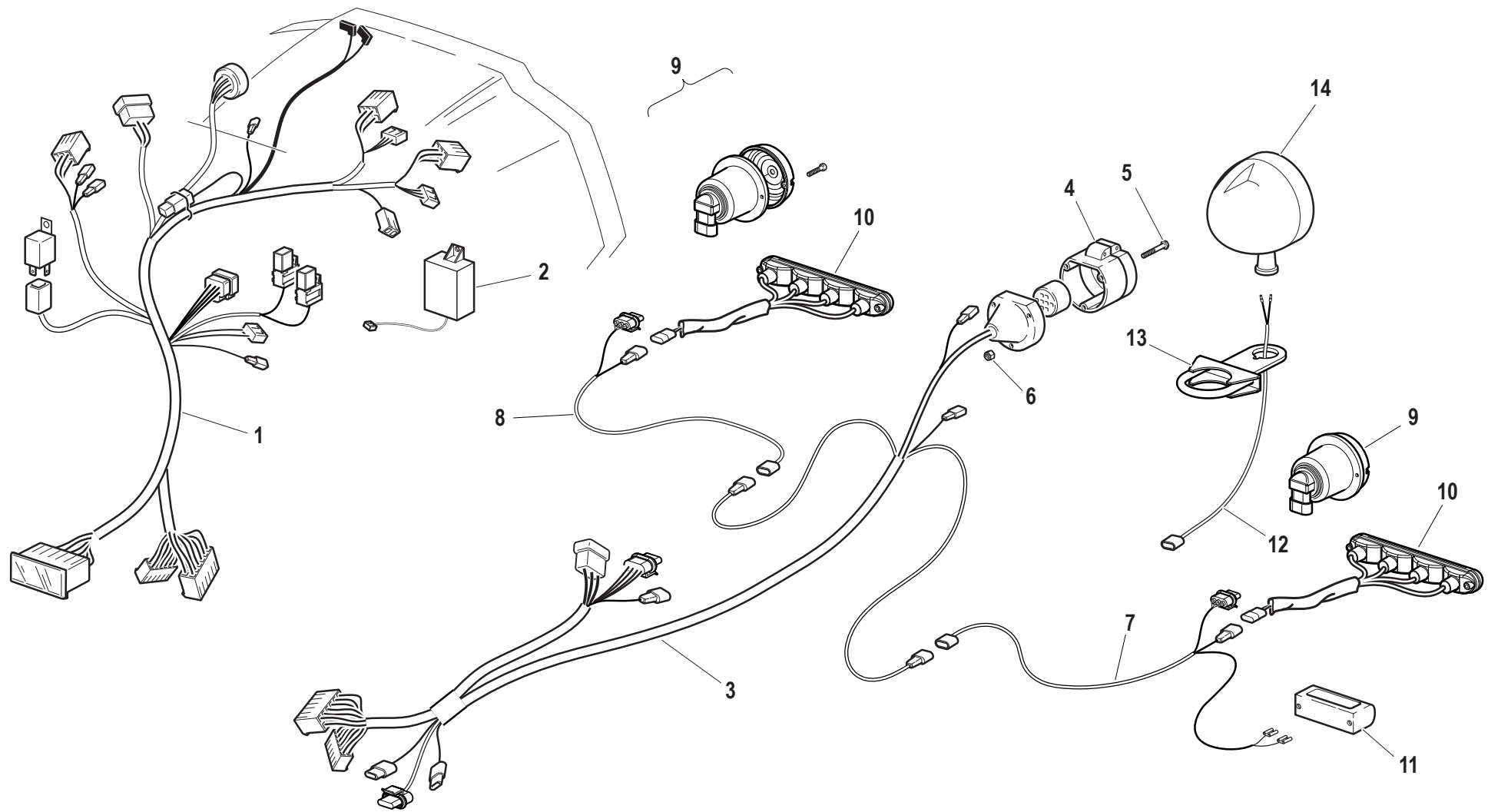


Pos.	Code	Q.ty	Description	Notes
1	59072754	1	PLATE	
2	31112150	3	SCREW TE M8X20 UNI 5739 8G	
3	F0843643060	3	WASHER 8	
4	52371679	1	LEVER	
5	38112200	1	O-RING 3087 (22,00X2,62)	
6	52472430	1	SELECTOR FORK	
7	561A0430	1	SMALL BLOCK	
8	34211054	2	ROLL PIN	
9	58070741	2	SPRING	
10	F0847434000	1	BALL	
11	590A2059	1	LEVER	
12	56379323	1	TOGGLE	
13	58177240	1	GRIP	
14	56379325	1	ROD	
15	38211601	2	OIL SEAL BA 16x24x4	
16	31411170	1	WASHER 17x30	
17	F0801116050	1	SEEGER RING E 16 UNI 7436	
18	59079324	1	PTO LEVER	
19	F0828468050	1	GRIP	
20	59079319	1	SELECTOR FORK	
21	34213054	2	ROLL PIN	
22	52479321	2	SHOE	
23	56179322	1	BRACKET	
24	31132562	1	SCREW TSVEI M6X16 UNI 5933	
25	56379320	1	CASING	
26	F0844030070	1	COPPER WASHER 16,0x22/1,5	
27	56379266	1	SCREW M10x1,5/55 C40BON	
28	31112093	1	SCREW TE M6X20	
29	F0843570000	1	WASHER 6	

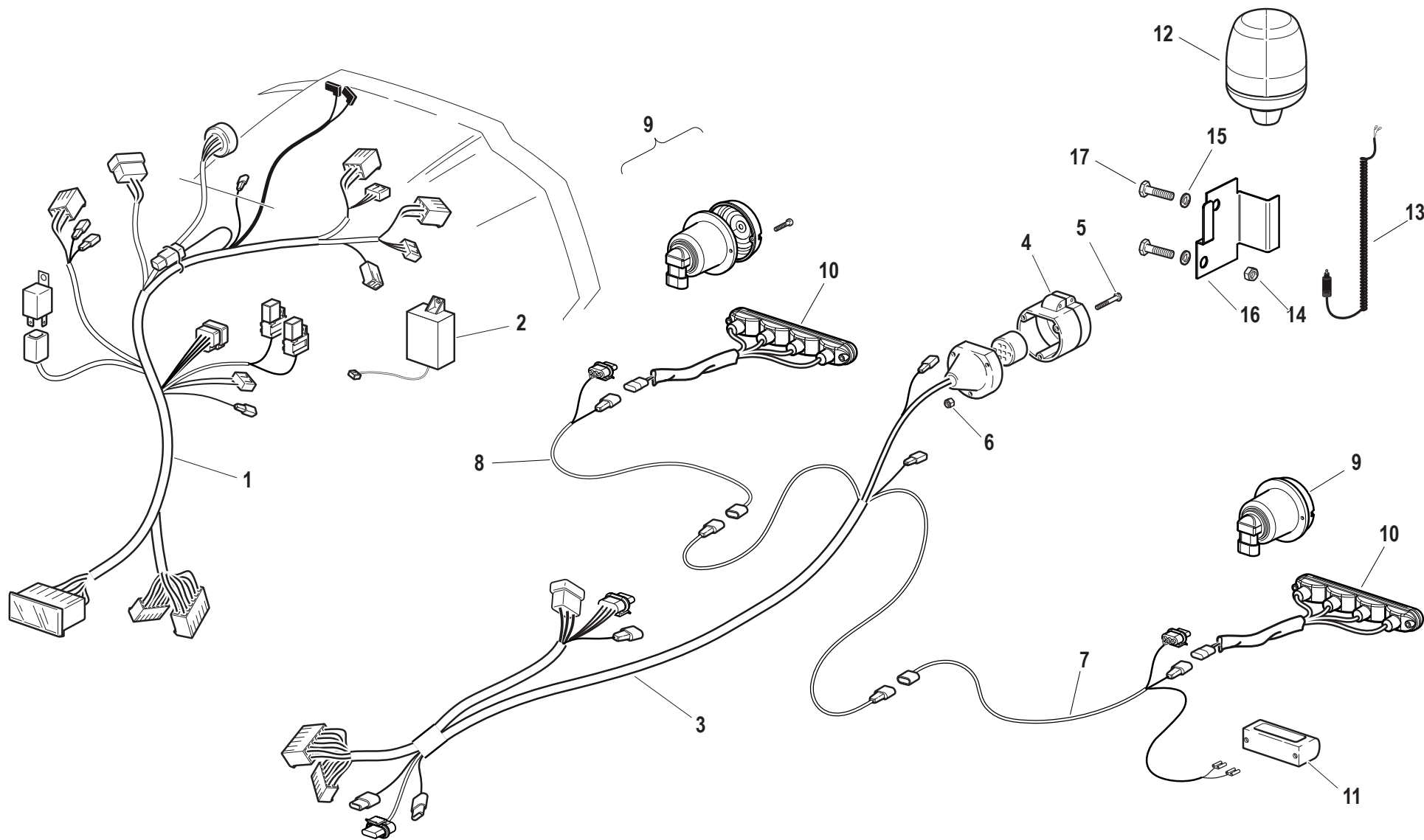


E.01.01.L40023_0

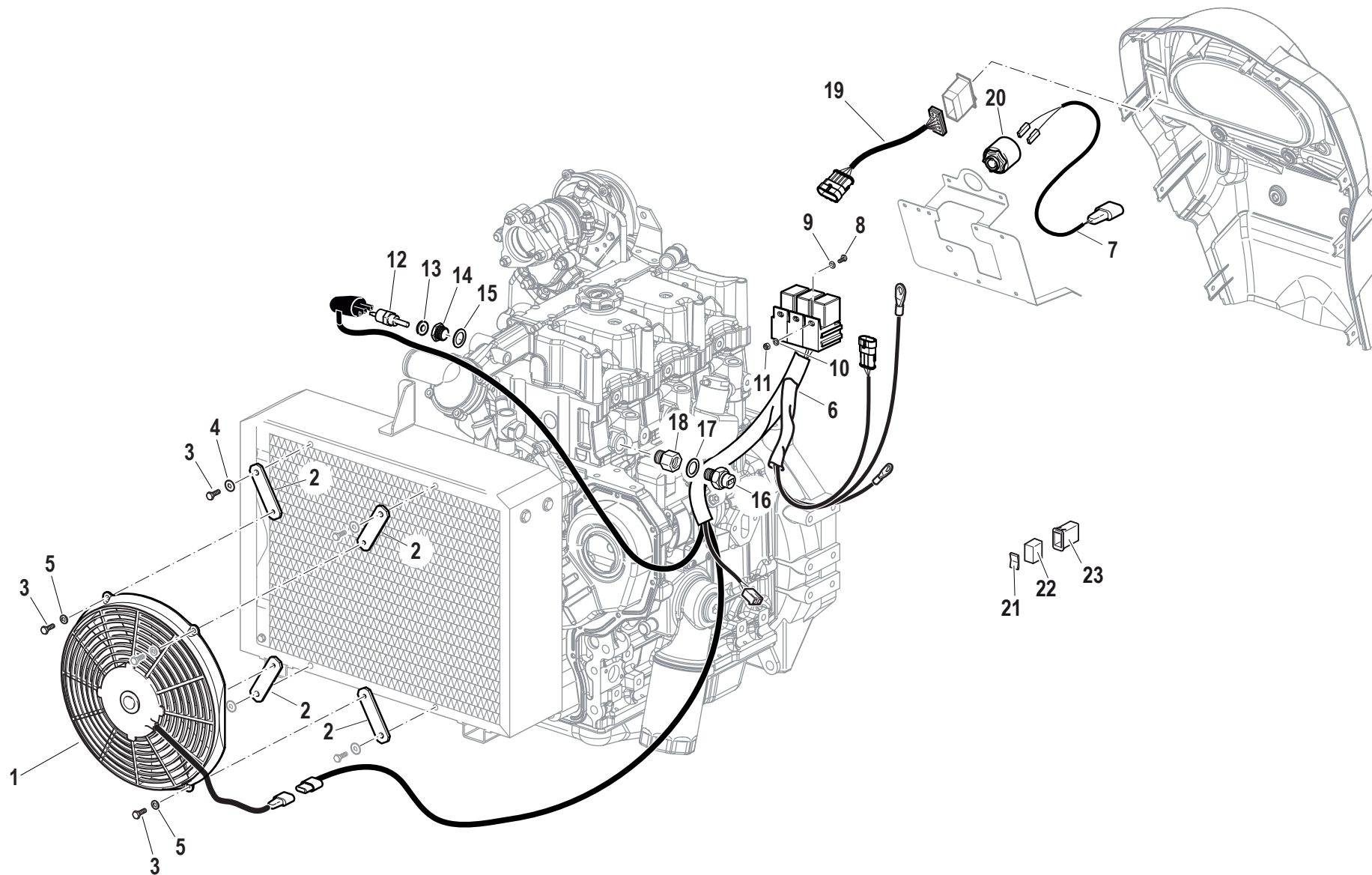
Pos.	Code	Q.ty	Description	Notes
1	580A0478	1	CABLE	
2	581A0071	2	OPTICAL GROUP	
3	58176395	2	OPTICAL GROUP	
4	F0861867050	16	SCREW M4,2X19 DIN 7981	
5	58176743	4	CAP	
6	580A0479	2	CABLE	
8	58176406	4	INDICATOR	



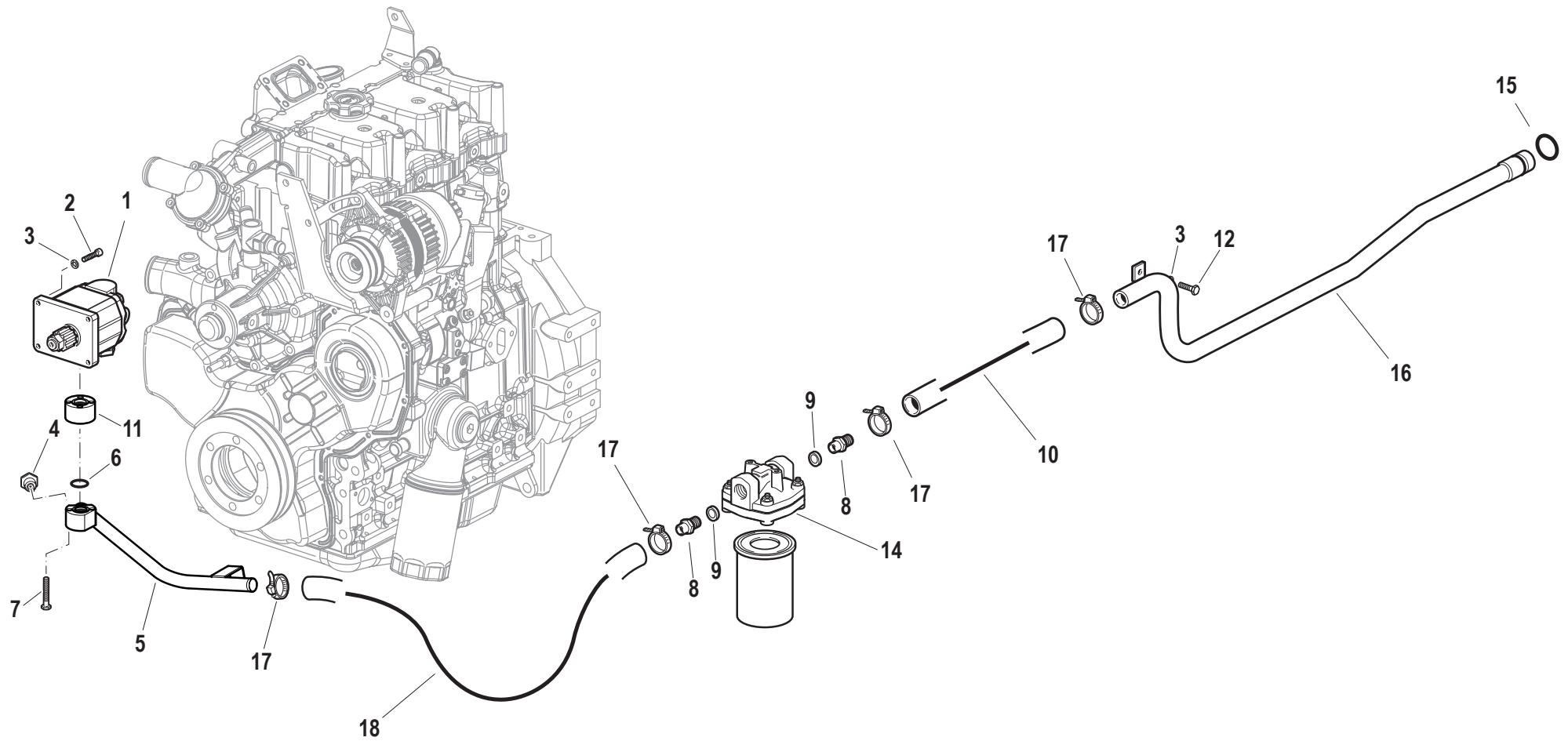
Pos.	Code	Q.ty	Description	Notes
1	580A3183	1	CABLE	
2	58175700	1	SWITCHING CONTROL UNIT	
3	580A2746	1	CABLE	
3,0999999	58170572	1	CAP	
3,2000000	58170571	1	ATTACHMENT PLUG	
4	F0825438000	1	SOCKET	
5	F0861941000	3	SCREW M5X35 UNI 6107	
6	31211050	3	NUT M5	
7	580A2757	1	CABLE	
8	580A0481	1	CABLE	
9	58176396	2	LAMP	
9,1000003	59901087	2	REAR LIGHT GLASS	
10	58176406	4	INDICATOR	
11	30000506	1	LAMP	
12	58077305	1	CABLE	
13	59077242	1	SUPPORT	
14	F0825493000	1	HEADLIGHT	



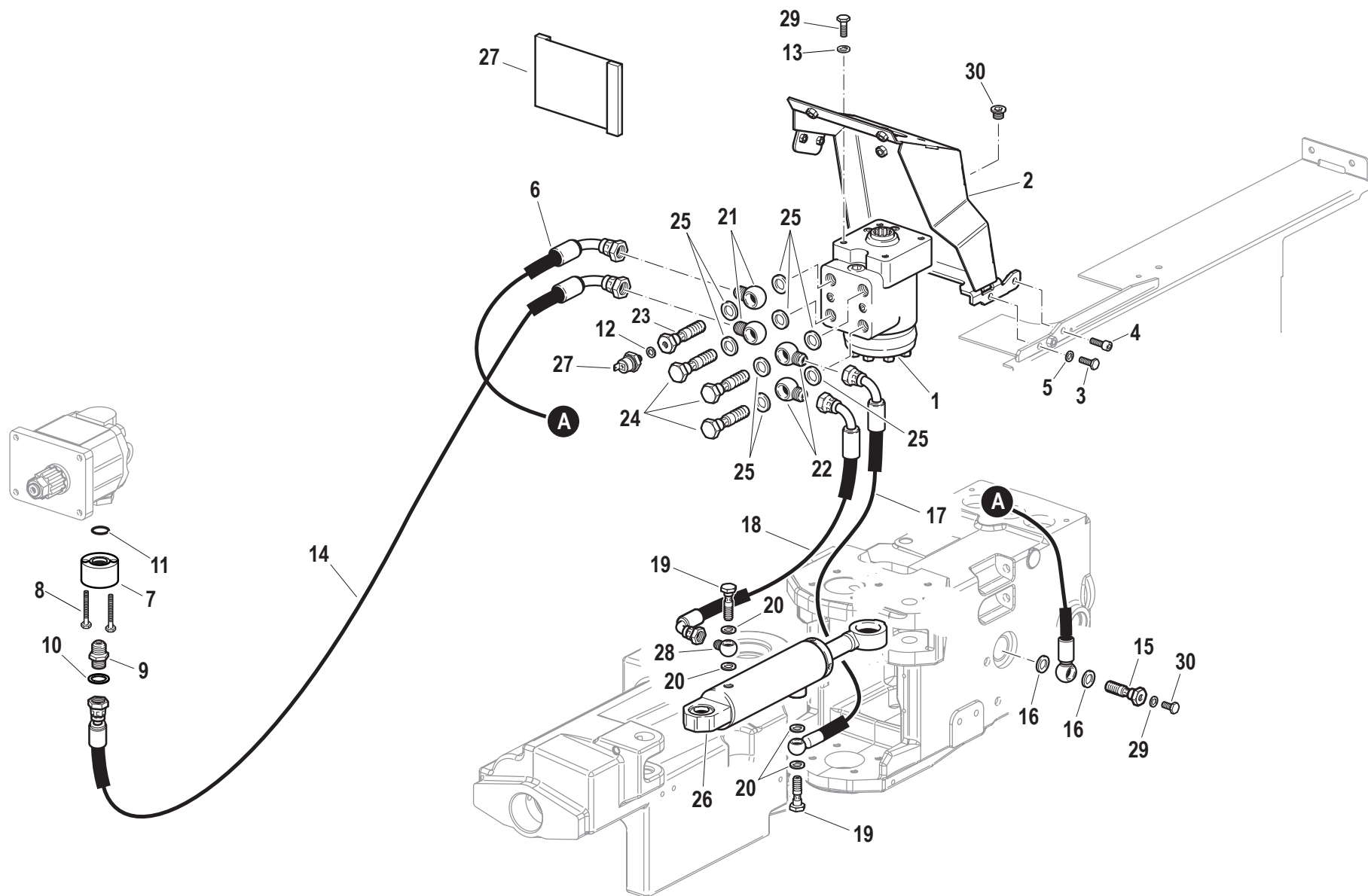
Pos.	Code	Q.ty	Description	Notes
1	580A3183	1	CABLE	
2	58175700	1	SWITCHING CONTROL UNIT	
3	580A2746	1	CABLE	
3,1	58170572	1	CAP	
3,2	58170571	1	ATTACHMENT PLUG	
4	F0825438000	1	SOCKET	
5	F0861941000	3	SCREW M5X35 UNI 6107	
6	31211050	3	NUT M5	
7	580A2757	1	CABLE	
8	580A0481	1	CABLE	
9	58176396	2	LAMP	
9,1	59901087	2	REAR LIGHT GLASS	
10	58176406	4	INDICATOR	
11	30000506	1	LAMP	
12	58177756	1	ROTARY WARN. LAMP	
13	580A2745	1	CABLE	
14	31211060	1	HEXAGONAL NUT M8	
15	F0843570000	1	WASHER 6	
16	561A2769Z	1	BRACKET	
17	31152061	2	SCREW TCEI M6X10 UNI 5931	



Pos.	Code	Q.ty	Description	Notes
1	58177939	1	FAN	
2	561A0342Z	4	FIXING BRACKET	
3	31112082	8	SCREW TE M6X12 UNI 5739 8G	
4	31411064	4	WASHER 6,4x12,5	
5	F0843570000	8	WASHER 6	
6	580A2984	1	CABLE	
7	58079278	1	CABLE	
8	31111089	2	SCREW TE M5X10 UNI 5739 8G	
9	31411053	2	WASHER 5,3x10	
10	F0843561000	2	WASHER 5	
11	31211050	2	NUT M5	
12	59901061	1	THERMOSTAT	
13	F0824113000	1	COPPER WASHER 18X24/1,5	
14	56177938	1	REDUCING BUSH	
15	F0844273090	1	GASKET 22X28X1,5 CU 99,5	
16	58179276	1	SWITCH	
17	F0844030070	1	COPPER WASHER 16,0x22/1,5	
18	560A0488	1	PIPE FITTING	
19	580A0127	1	CABLE	
20	58035255	1	BUZZER	
21	581A0128	1	SWITCH	
22	581A0129	1	TASTO 0011.0659	
23	581A0739	1	ADAPTER PART	



Pos.	Code	Q.ty	Description	Notes
17	30021145	4	CLAMP 24-45	
12	31111151	1	SCREW TE M8X16 UNI 5739 8G	
7	31152065	2	SCREW TCEI M6X40 UNI 5931	
2	31152083	4	SCREW TCEI M8X30 UNI 5931	
6	38112200	1	O-RING 3087 (22,00X2,62)	
15	38113142	1	O-RING OR 3125 (31,42X2,62)	
8	56170350	2	PIPE FITTING	
11	561A2768	1	PIPE CONNECTION	
10	58173506	1	FLEXIBLE HOSE	
18	58173543	1	FLEXIBLE HOSE	
14	58175014	1	FILTER	
4	58175122	1	DIGITAL INSTRUMENT	
1	581A2284	1	PUMP	
16	590A0568	1	SUCTION PIPE	
5	590A3087	1	SUCTION PIPE	
9	F0824185000	2	COPPER WASHER 26X34X1,5	
3	F0843643060	7	WASHER 8	
13	F0843755000	2	WASHER 10 DIN 128-B	



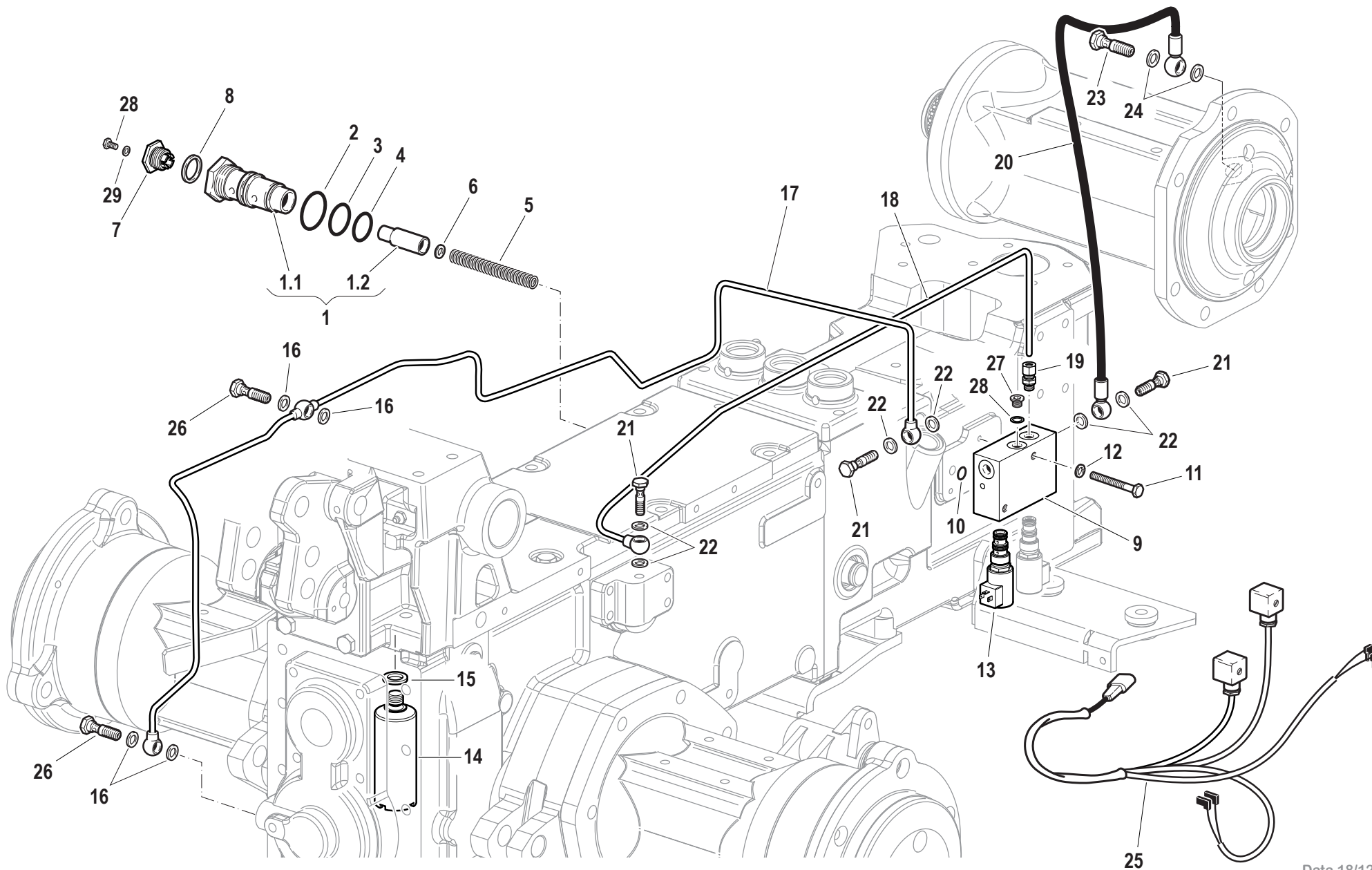
Pos.	Code	Q.ty	Description	Notes
31	30000197	1	NIPPLE	
17	30021145	4	CLAMP 24-45	
12	31111151	1	SCREW TE M8X16 UNI 5739 8G	
25	31112082	2	SCREW TE M6X12 UNI 5739 8G	
7	31152065	2	SCREW TCEI M6X40 UNI 5931	
2	31152083	4	SCREW TCEI M8X30 UNI 5931	
24	31411064	4	WASHER 6,4x12,5	
6	38112200	1	O-RING 3087 (22,00X2,62)	
15	38113142	1	O-RING OR 3125 (31,42X2,62)	
8	56170350	2	PIPE FITTING	
11	561A2768	1	PIPE CONNECTION	
23	58077942	2	SPRING	
30	580A3039	1	FLEXIBLE HOSE	
29	580A3040	1	FLEXIBLE HOSE	
10	58173506	1	FLEXIBLE HOSE	
18	58173543	1	FLEXIBLE HOSE	
14	58175014	1	FILTER	
4	58175122	1	DIGITAL INSTRUMENT	
1	581A2284	1	PUMP	
19	581A2355	1	OIL EXCHANGER	
22	59077943	2	ROD	
16	590A0568	1	SUCTION PIPE	
20	590A2780N	1	HALF ROD	
21	590A2782N	1	RIGHT YOKE	
5	590A3087	1	SUCTION PIPE	
27	F0814547000	2	SELFLOCK NUT M6	
32	F0824110000	1	COPPER WASHER 3/8 GAS	
33	F0824141000	4	COPPER WASHER 21x27/1,5	
9	F0824185000	2	COPPER WASHER 26X34X1,5	
28	F0843116000	2	PIPE FITTING 1/2	
3	F0843643060	7	WASHER 8	
13	F0843755000	2	WASHER 10 DIN 128-B	
26	F0863208050	2	SCREW M10X20 UNI 5933	

SERIAL

IMPIANTO IDRAULICO DOPPIA ASPIRAZIONE OLIO

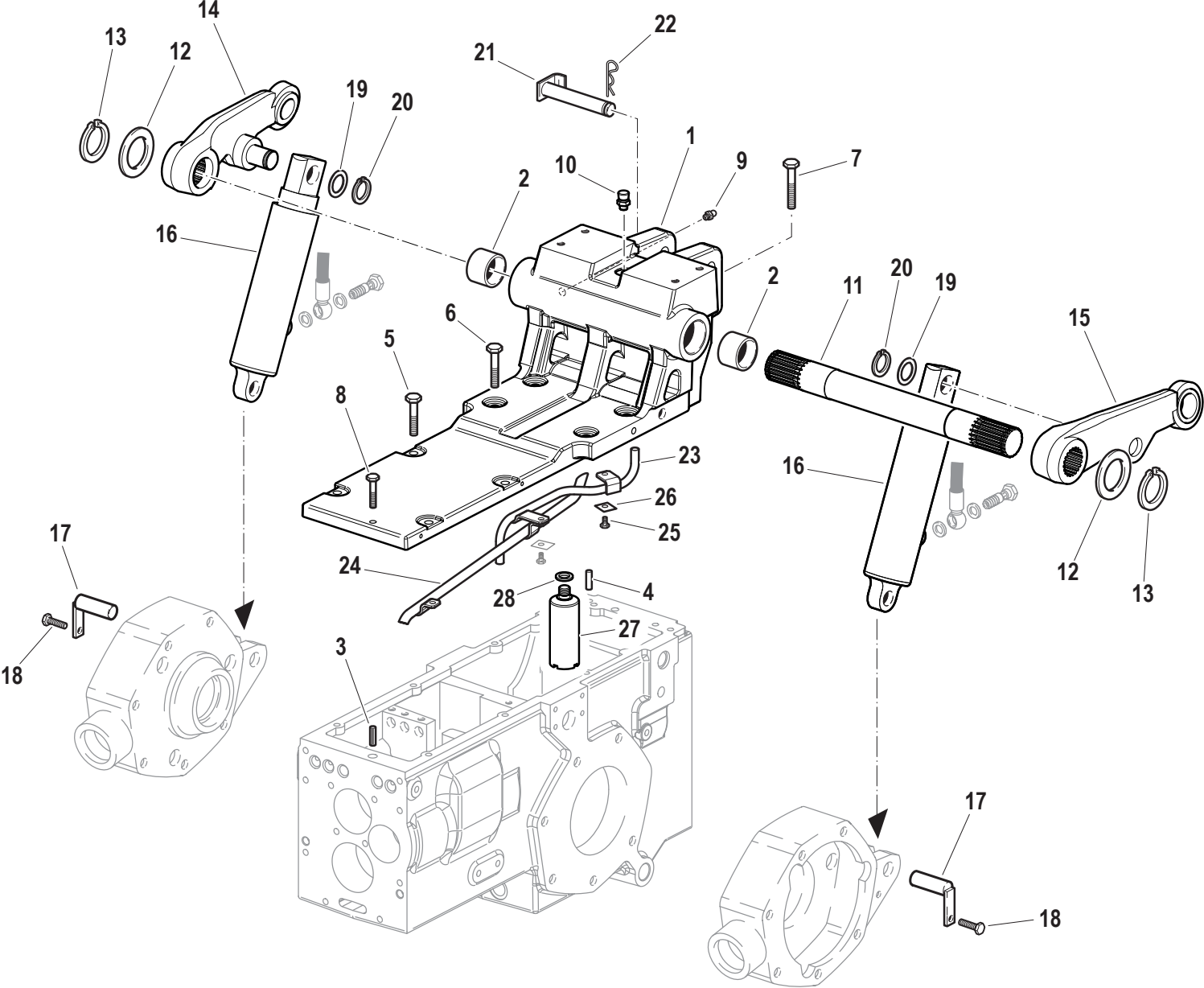
CODE REV

F.01.02.L40025_0



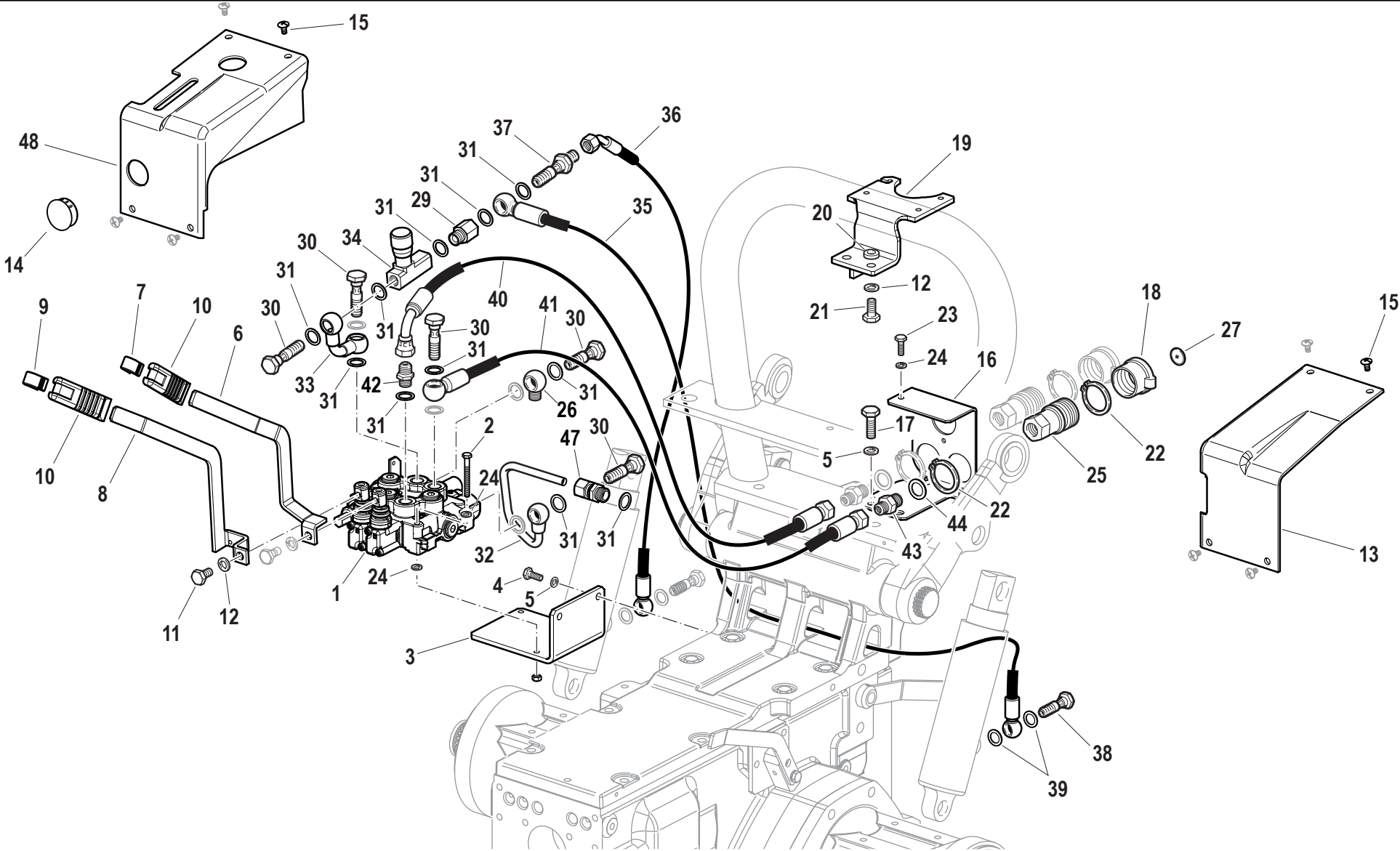
Pos.	Code	Q.ty	Description	Notes
1	59379589	1	COMPLETE MAX PRESSURE VALVE	
2	38112982	1	O-RING 3118 (29,82X2,62)	
3	F0803199010	1	O-RING 132 (23,81X2,62)	
4	F0803072050	1	O-RING 2093 (23,52x1,78)	
5	580A1227	1	SPRING	
6	F0843526000	1	WASHER 4,3x12/1,5	
7	563A3038	1	PIPE FITTING	
8	F0844200050	1	COPPER WASHER 20,0x26/1,5	
9	56179531	1	SMALL BLOCK	
10	38110992	2	O-RING 112 (9,92X2,62)	
11	F0862345000	2	SCREW M6X40 UNI 5737	
12	F0843570000	2	WASHER 6	
13	58172463	2	ELECTRO VALVE	
14	59271011	1	UNIT	
15	F0843948000	1	COPPER WASHER 14,0x20/1,5	
16	F0843771000	4	COPPER WASHER 10,0x16/1	
17	590A0570	1	PRESSURE PIPE	
18	590A0571	1	PIPE	
19	58174547	1	NIPPLE	
20	580A0536	1	FLEXIBLE HOSE	
21	56178695	3	THREADED TERMINAL END	
22	P254124000000	6	WASHER 1/8(10,37x15,88x2,03)	
23	F0843107000	1	PIPE FITTING GAS 1/4	
24	F0843907000	2	COPPER WASHER 13,66x19/1,5	
25	580A1908	1	CABLE	
26	P281207000000	2	PIPE FITTING	
27	F0852578060	1	CONICAL PLUG	
28	F0862448100	1	SCREW M8X10 UNI 5740	
29	F0824022000	1	SPECIAL GASKET D.8,4X12/1	

RAISE/LOWER LIFT



Pos.	Code	Q.ty	Description	Notes
1	51179547	1	2 EXTERNAL RAMS LIFT SUPPORT	
2	58175318	2	BUSHING	
3	56170017	1	PIN	
4	56370228	1	CYLINDRICAL PLUG	
5	31112211	4	SCREW TE M10X30 UNI 5739	
6	31112212	4	SCREW TE M10X35 UNI 5739	
7	F0863359000	4	SCREW M10X40 UNI 5737	
8	31112154	1	SCREW TE M8X40 UNI 5739 8G	
9	F0826056000	1	LUBRICATOR M10 UNI 7663A	
10	58075603	1	PLUG	
11	56579874	1	SHAFT	
12	31414400	2	WASHER 40	
13	F0801297050	2	SEEGER RING E 40x2,5 U/7436	
14	59079592	1	LIFTING ARM	
15	59079593	1	LIFTING ARM	
16	580A1345	2	CILINDRO SOLLEVATORE 55-65	
17	590A1645	2	PIN	
18	31111151	2	SCREW TE M8X16 UNI 5739 8G	
19	56349629	2	RING SS 25x36/2 DIN 988	
20	35131026	2	SEEGER RING	
21	59078588	1	CONNECTING BOLT	
22	F0851486000	1	SPLIT PIN	
23	590A0756	1	VENT HOSE	
24	590A2346	1	PIPE	
25	31112082	3	SCREW TE M6X12 UNI 5739 8G	
26	31450060	3	SMALL PLATE	
27	59271011	1	UNIT	
28	F0843948000	1	COPPER WASHER 14,0x20/1,5	

CONTROL VALVES



Pos.	Code	Q.ty	Description	Notes
1	581A0907	1	DISTRIBUTOR	
2	31111102	2	SCREW TE M6X50 UNI 5737 8G	
3	561A0002	1	RETAINER	
4	31112150	2	SCREW TE M8X20 UNI 5739 8G	
5	F0843643060	3	WASHER 8	
6	561A0003	1	DISTRIBUTOR LEVER	
7	58175188	1	INSERT	
8	561A0004	1	DISTRIBUTOR LEVER	
9	58175211	1	INSERT	
10	58175187	2	KNOB	
11	31112208	2	SCREW TE M10X16 UNI 5739	
12	F0843755000	2	WASHER 10 DIN 128-B	
13	573A0050	1	COVER	
14	573A0049	1	COVER	
15	F0861973100	8	SCREW M6X12 COMBI	
16	590A0091	1	LEFT BRACKET	
17	31111151	1	SCREW TE M8X16 UNI 5739 8G	
18	F0852550100	2	PLUG	
19	590A0093	1	SUPPORTING YOKE	
20	F0843818000	2	WASHER 11x30/2,5	
21	31112219	2	SCREW TE M10X25 UNI 5739	
22	F0801282000	4	SEEGER RING E 38 UNI 7435	
23	F0862129000	1	SCREW M6X18 UNI 5739 8.8	
24	F0843570000	3	WASHER 6	
25	F0825980030	2	COUPLING	
26	F0842505030	1	PIPE FITTING	
27	F0852550200	1	DECAL	
28	58172015	1	PIPE FITTING	
29	30000200	2	EXTENSION M/F3/8 BSP3/8 GH25 PCG06	
30	F0843109020	5	PIPE FITTING	
31	F0824110000	14	COPPER WASHER 3/8 GAS	
32	590A0562	1	EXHAUST	
33	590A0544	1	PIPE	
34	P241171000000	1	VALVE	

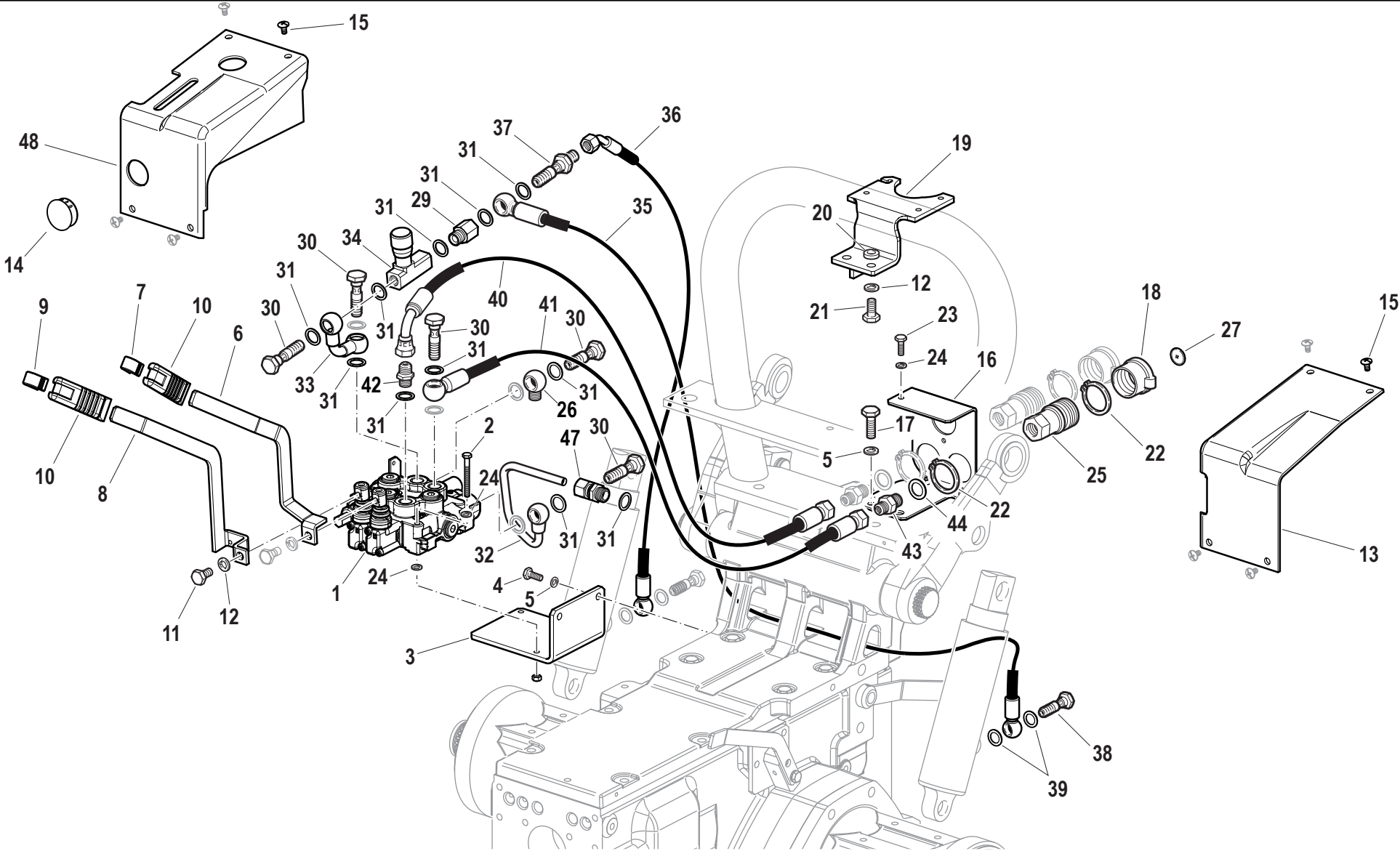
SERIAL

CONTROL VALVES

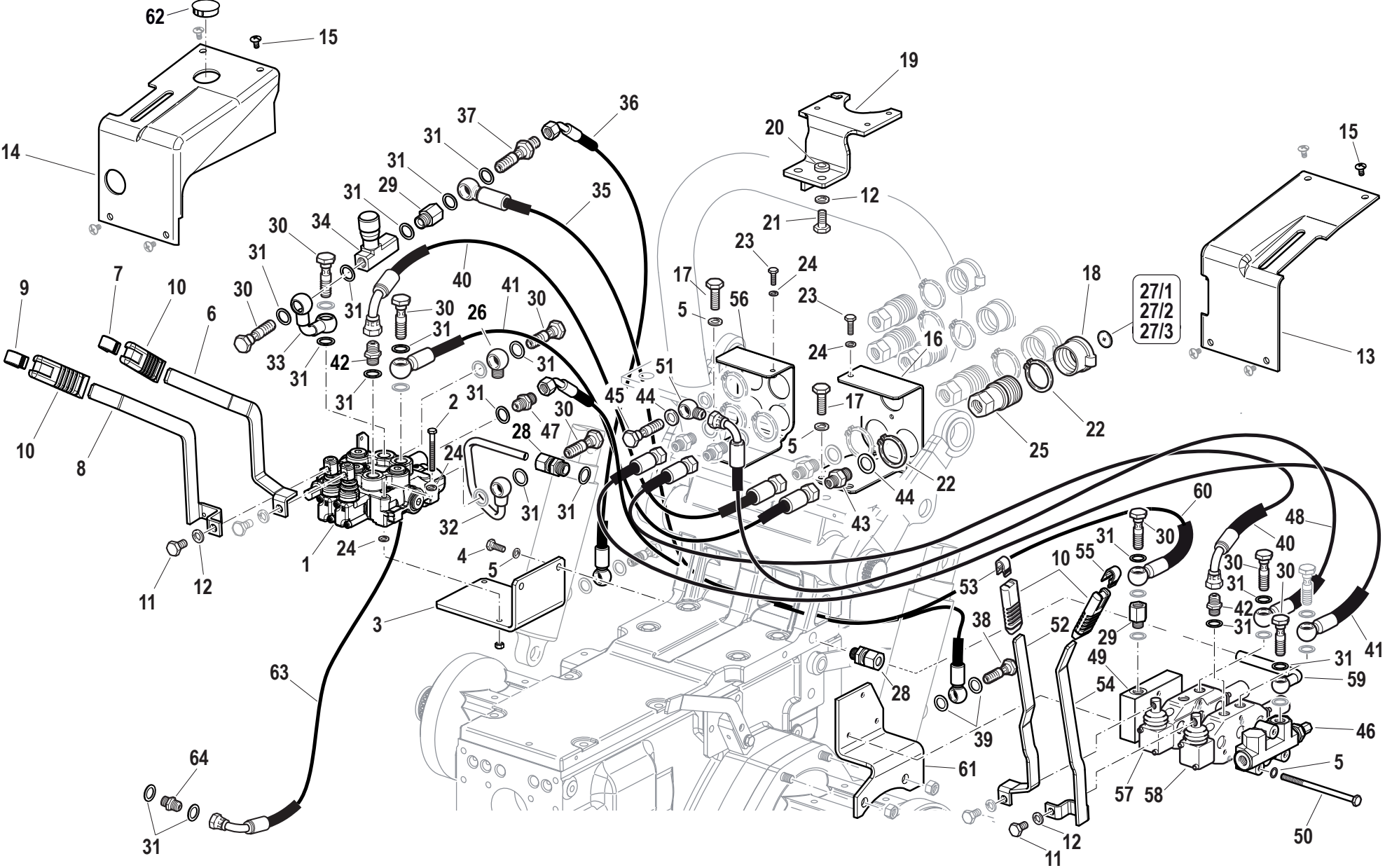
CODE REV

L.02.01.L40025_0

CONTROL VALVES



Pos.	Code	Q.ty	Description	Notes
35	580A0533	1	FLEXIBLE HOSE	
36	580A0534	1	FLEXIBLE HOSE	
37	56375407	1	TONGUE 3/8 -1/4	
38	F0843107000	2	PIPE FITTING GAS 1/4	
39	F0843907000	4	COPPER WASHER 13,66x19/1,5	
40	580A0528	1	FLEXIBLE HOSE	
41	580A0529	1	FLEXIBLE HOSE	
42	F0835023000	1	NIPPLE	
43	F0835040000	2	NIPPLE	
44	F0824141000	2	COPPER WASHER 21x27/1,5	
45	58177547	1	PLUG	
46	30000197	2	NIPPLE	
47	580A2758	1	FLEXIBLE HOSE	



L.02.02.L40025_0.ai

Pos.	Code	Q.ty	Description	Notes
1	581A0907	1	DISTRIBUTOR	
2	31111102	2	SCREW TE M6X50 UNI 5737 8G	
3	561A0002	1	RETAINER	
4	31112150	2	SCREW TE M8X20 UNI 5739 8G	
5	F0843643060	7	WASHER 8	
6	561A0003	1	DISTRIBUTOR LEVER	
7	58175188	1	INSERT	
8	561A0004	1	DISTRIBUTOR LEVER	
9	58175211	1	INSERT	
10	58175187	4	KNOB	
11	31112208	4	SCREW TE M10X16 UNI 5739	
12	F0843755000	6	WASHER 10 DIN 128-B	
13	573A0052	1	COVER	
14	573A0049	1	COVER	
15	F0861973100	8	SCREW M6X12 COMBI	
16	590A0091	1	LEFT BRACKET	
17	31111151	2	SCREW TE M8X16 UNI 5739 8G	
18	F0852550100	5	PLUG	
19	590A0093	1	SUPPORTING YOKE	
20	F0843818000	2	WASHER 11x30/2,5	
21	31112219	2	SCREW TE M10X25 UNI 5739	
22	F0801282000	10	SEEGER RING E 38 UNI 7435	
23	F0862129000	2	SCREW M6X18 UNI 5739 8.8	
24	F0843570000	4	WASHER 6	
25	F0825980030	5	COUPLING	
26	F0842505030	1	PIPE FITTING	
27/01	F0852550230	2	DECAL	
27/02	F0852550220	1	DECAL	
27/03	F0852550200	1	DECAL	
28	58172015	2	PIPE FITTING	
29	30000200	3	EXTENSION M/F3/8 BSP3/8 GH25 PCG06	
30	F0843109020	9	PIPE FITTING	
31	F0824110000	26	COPPER WASHER 3/8 GAS	
32	590A0562	1	EXHAUST	

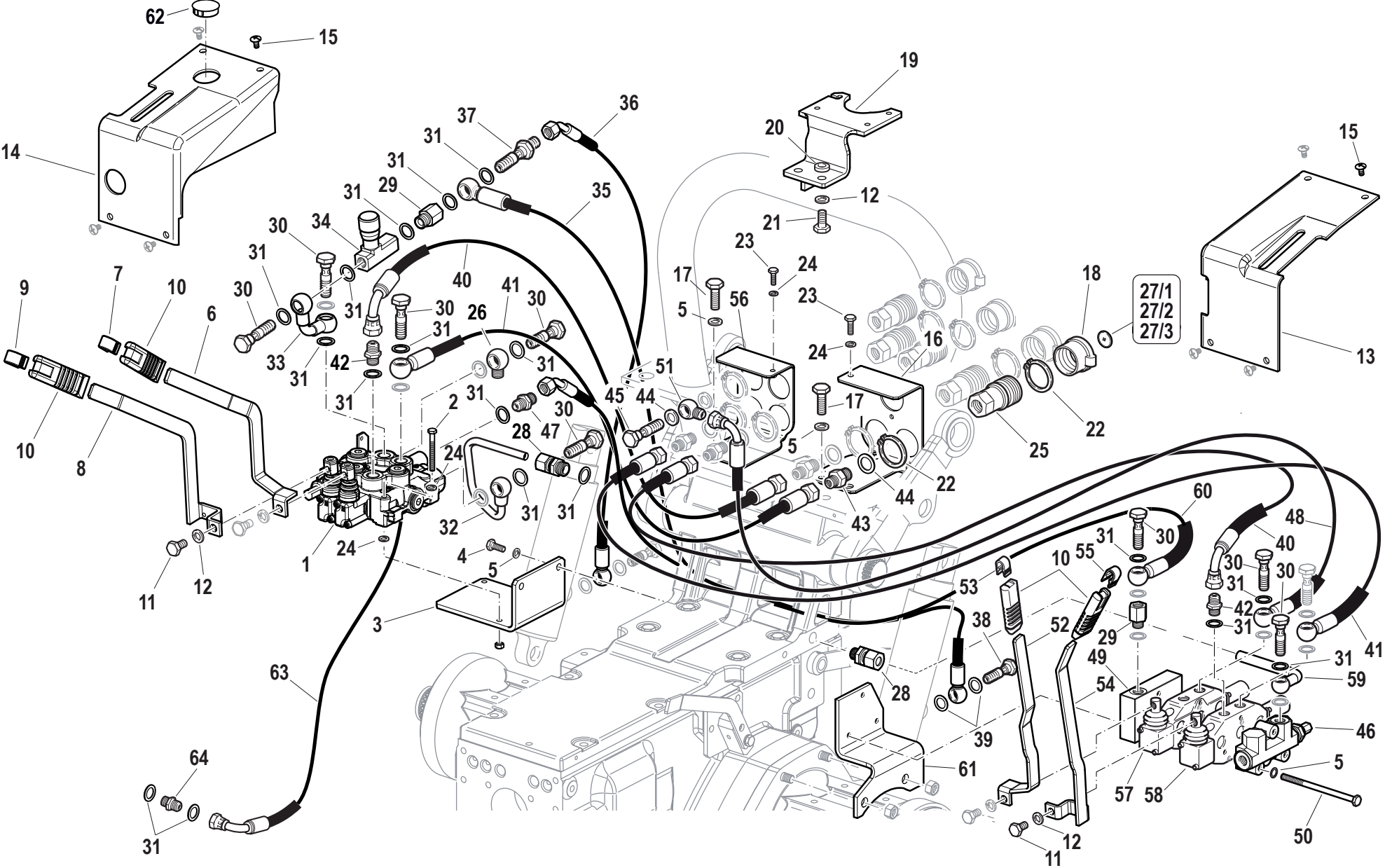
SERIAL

CONTROL VALVES

CODE REV

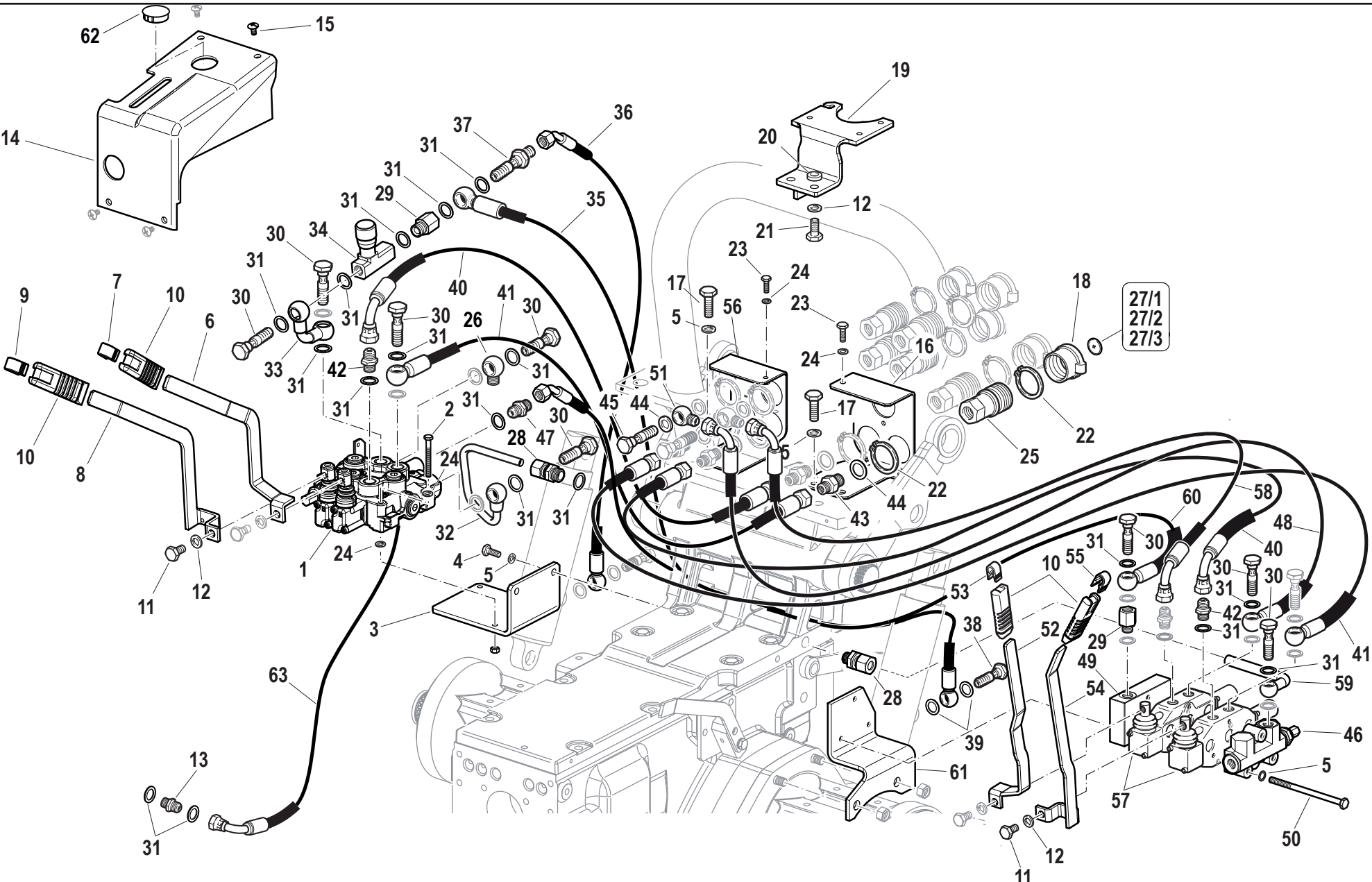
L.02.02.L40025_0

CONTROL VALVES



L.02.02.L40025_0.ai

Pos.	Code	Q.ty	Description	Notes
33	590A0544	1	PIPE	
34	P241171000000	1	VALVE	
35	580A0533	1	FLEXIBLE HOSE	
36	580A0534	1	FLEXIBLE HOSE	
37	56375407	1	TONGUE 3/8 -1/4	
38	F0843107000	2	PIPE FITTING GAS 1/4	
39	F0843907000	4	COPPER WASHER 13,66x19/1,5	
40	580A0528	2	FLEXIBLE HOSE	
41	580A0529	2	FLEXIBLE HOSE	
42	F0835023000	3	NIPPLE	
43	F0835040000	4	NIPPLE	
44	F0824141000	5	COPPER WASHER 21x27/1,5	
45	F0843116000	1	PIPE FITTING 1/2	
46	58172304	1	HEAD	
47	30000197	1	NIPPLE	
48	580A0526	1	FLEXIBLE HOSE	
49	58173361	1	COVER	
50	31112178	3	SCREW TE M8X130 UNI 5737	
51	F0835040030	1	PIPE FITTING	
52	561A0005	1	DISTRIBUTOR LEVER	
53	58176867	1	INSERT	
54	561A0006	1	DISTRIBUTOR LEVER	
55	58176866	1	INSERT	
56	590A1919N	1	RIGHT YOKE	
57	58172011	1	S.A. VALVE	
58	58172014	1	D.A. VALVE	
59	590A0563	1	EXHAUST	
60	580A0530	1	FLEXIBLE HOSE	
61	56179956	1	RETAINER	
62	58177547	1	PLUG	
63	580A2758	1	FLEXIBLE HOSE	
64	30000197	2	NIPPLE	



L.02.03.L40025_0.ai

Pos.	Code	Q.ty	Description	Notes
1	581A0907	1	DISTRIBUTOR	
2	31111102	2	SCREW TE M6X50 UNI 5737 8G	
3	561A0002	1	RETAINER	
4	31112150	2	SCREW TE M8X20 UNI 5739 8G	
5	F0843643060	7	WASHER 8	
6	561A0003	1	DISTRIBUTOR LEVER	
7	58175188	1	INSERT	
8	561A0004	1	DISTRIBUTOR LEVER	
9	58175211	1	INSERT	
10	58175187	4	KNOB	
11	31112208	4	SCREW TE M10X16 UNI 5739	
12	F0843755000	6	WASHER 10 DIN 128-B	
13	30000197	2	NIPPLE	
14	573A0049	1	COVER	
15	F0861973100	8	SCREW M6X12 COMBI	
16	590A0091	1	LEFT BRACKET	
17	31111151	2	SCREW TE M8X16 UNI 5739 8G	
18	F0852550100	6	PLUG	
19	590A0093	1	SUPPORTING YOKE	
20	F0843818000	2	WASHER 11x30/2,5	
21	31112219	2	SCREW TE M10X25 UNI 5739	
22	F0801282000	12	SEEGER RING E 38 UNI 7435	
23	F0862129000	2	SCREW M6X18 UNI 5739 8.8	
24	F0843570000	4	WASHER 6	
25	F0825980030	6	COUPLING	
26	F0842505030	1	PIPE FITTING	
27/01	F0852550230	3	DECAL	
27/02	F0852550220	1	DECAL	
27/03	F0852550200	2	DECAL	
28	58172015	2	PIPE FITTING	
29	30000200	3	EXTENSION M/F3/8 BSP3/8 GH25 PCG06	
30	F0843109020	9	PIPE FITTING	
31	F0824110000	27	COPPER WASHER 3/8 GAS	
32	590A0562	1	EXHAUST	

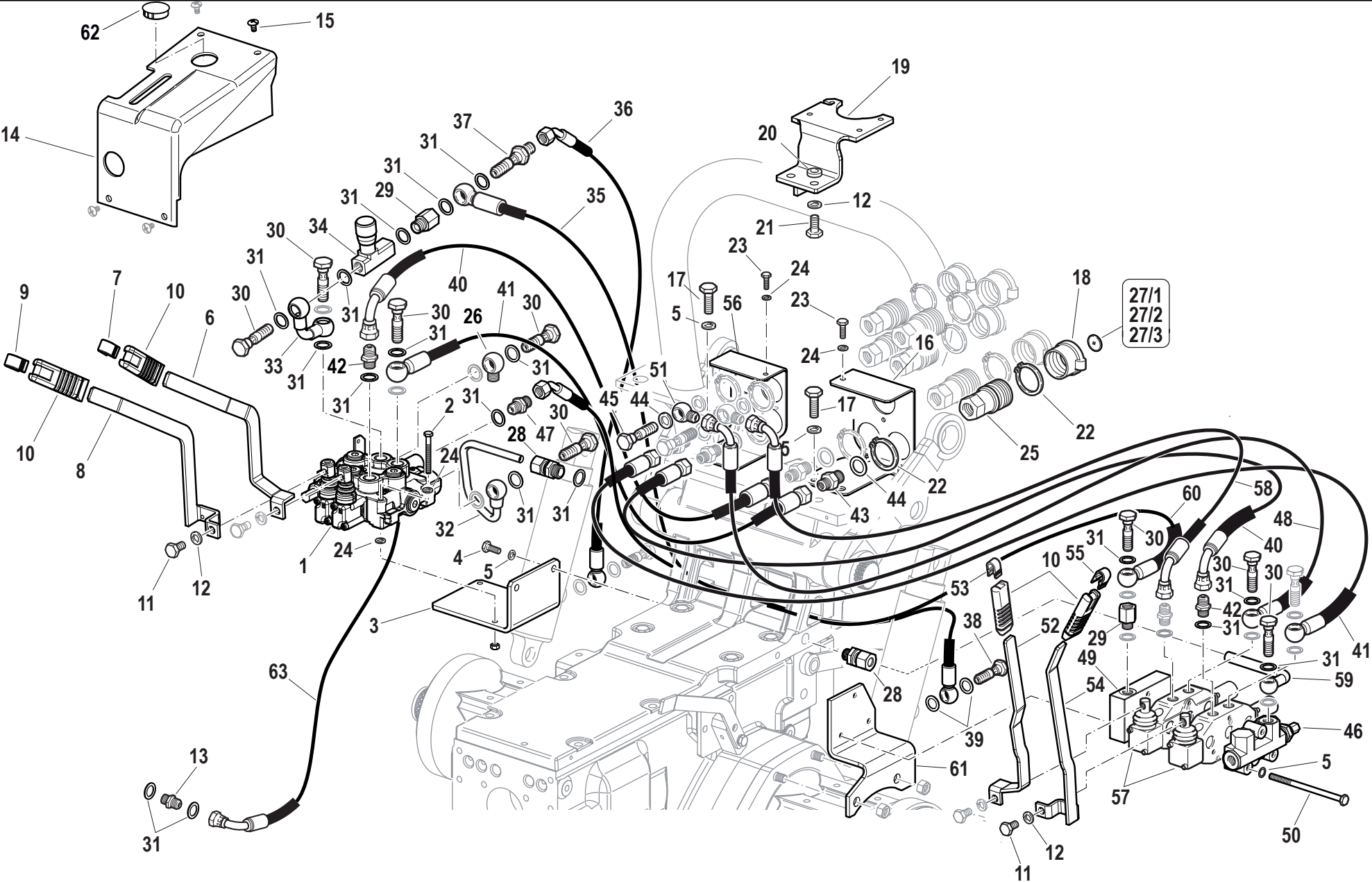
SERIAL

CONTROL VALVES

CODE REV

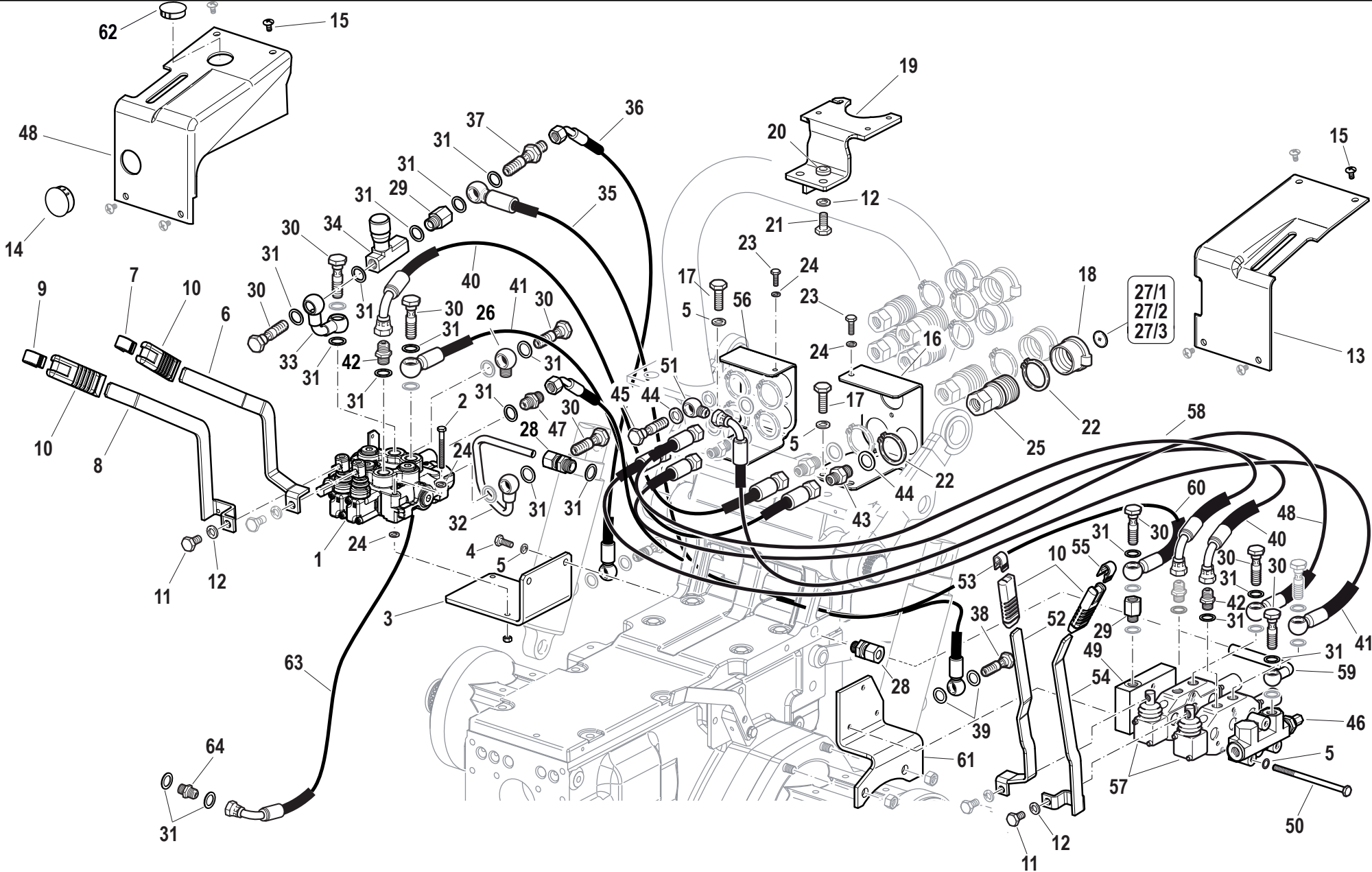
L.02.03.L40025_0

CONTROL VALVES



L.02.03.L40025_0.ai

Pos.	Code	Q.ty	Description	Notes
33	590A0544	1	PIPE	
34	P241171000000	1	VALVE	
35	580A0533	1	FLEXIBLE HOSE	
36	580A0534	1	FLEXIBLE HOSE	
37	56375407	1	TONGUE 3/8 -1/4	
38	F0843107000	2	PIPE FITTING GAS 1/4	
39	F0843907000	4	COPPER WASHER 13,66x19/1,5	
40	580A0528	2	FLEXIBLE HOSE	
41	580A0529	2	FLEXIBLE HOSE	
42	F0835023000	4	NIPPLE	
43	F0835040000	4	NIPPLE	
44	F0824141000	7	COPPER WASHER 21x27/1,5	
45	F0843116000	2	PIPE FITTING 1/2	
46	58172304	1	HEAD	
47	30000197	1	NIPPLE	
48	580A0526	1	FLEXIBLE HOSE	
49	58173361	1	COVER	
50	31112178	3	SCREW TE M8X130 UNI 5737	
51	F0835040030	2	PIPE FITTING	
52	561A0005	1	DISTRIBUTOR LEVER	
53	58176867	1	INSERT	
54	561A0006	1	DISTRIBUTOR LEVER	
55	58176866	1	INSERT	
56	590A1919N	1	RIGHT YOKE	
57	58172012	2	D.A. VALVE	
58	580A0527	1	FLEXIBLE HOSE	
59	590A0563	1	EXHAUST	
60	580A0530	1	FLEXIBLE HOSE	
61	56179956	1	RETAINER	
62	58177547	1	PLUG	
63	580A2758	1	FLEXIBLE HOSE	



L.02.04.L40025_0.ai

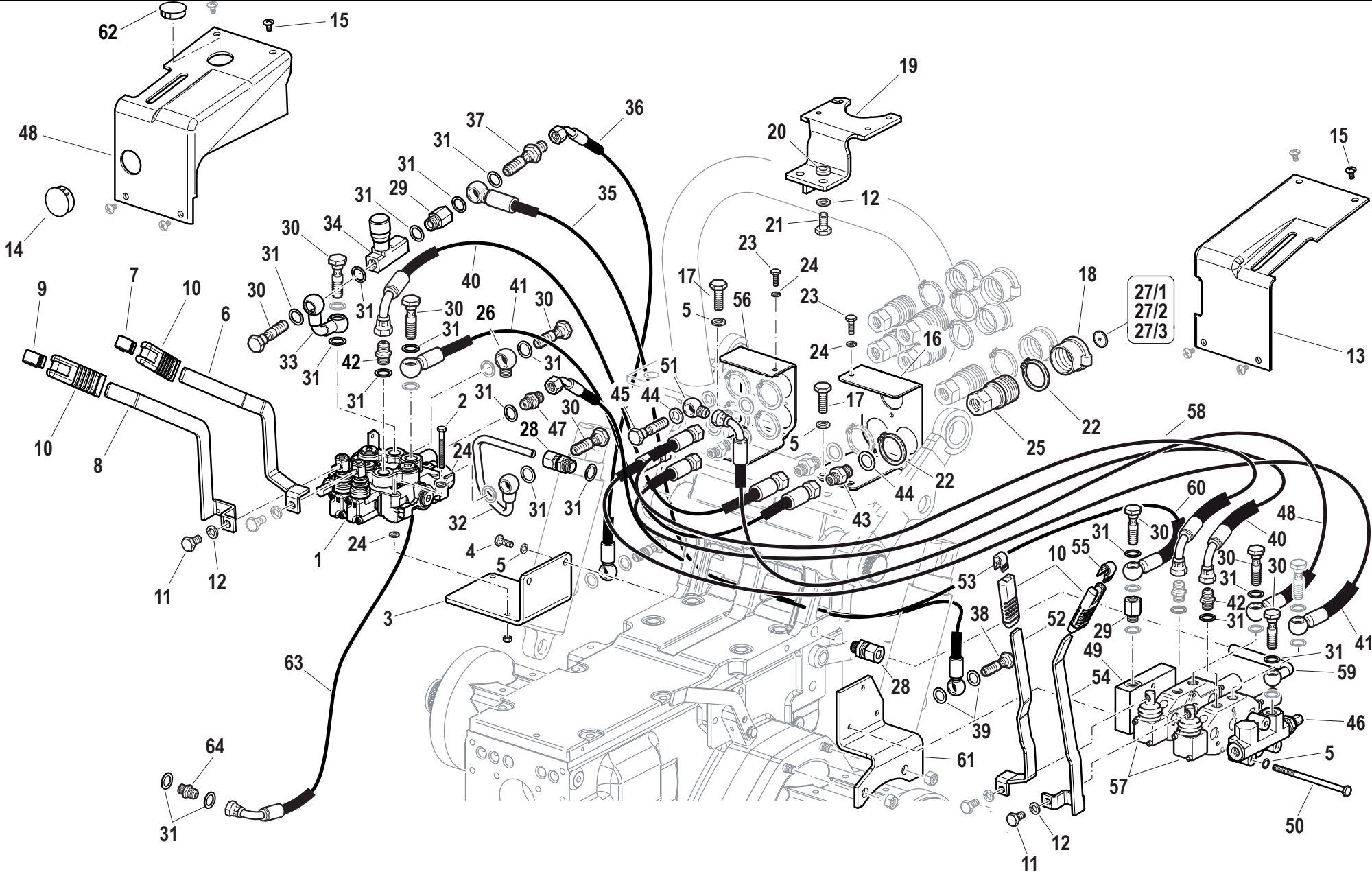
Pos.	Code	Q.ty	Description	Notes
1	581A0907	1	DISTRIBUTOR	
2	31111102	2	SCREW TE M6X50 UNI 5737 8G	
3	561A0002	1	RETAINER	
4	31112150	2	SCREW TE M8X20 UNI 5739 8G	
5	F0843643060	7	WASHER 8	
6	561A0003	1	DISTRIBUTOR LEVER	
7	58175188	1	INSERT	
8	561A0004	1	DISTRIBUTOR LEVER	
9	58175211	1	INSERT	
10	58175187	4	KNOB	
11	31112208	4	SCREW TE M10X16 UNI 5739	
12	F0843755000	6	WASHER 10 DIN 128-B	
13	573A0050	1	COVER	
14	573A0049	1	COVER	
15	F0861973100	8	SCREW M6X12 COMBI	
16	590A0091	1	LEFT BRACKET	
17	31111151	2	SCREW TE M8X16 UNI 5739 8G	
18	F0852550100	6	PLUG	
19	590A0093	1	SUPPORTING YOKE	
20	F0843818000	2	WASHER 11x30/2,5	
21	31112219	2	SCREW TE M10X25 UNI 5739	
22	F0801282000	12	SEEGER RING E 38 UNI 7435	
23	F0862129000	2	SCREW M6X18 UNI 5739 8.8	
24	F0843570000	4	WASHER 6	
25	F0825980030	6	COUPLING	
26	F0842505030	1	PIPE FITTING	
27/01	F0852550230	3	DECAL	
27/02	F0852550220	1	DECAL	
27/03	F0852550200	1	DECAL	
28	58172015	2	PIPE FITTING	
29	30000200	3	EXTENSION M/F3/8 BSP3/8 GH25 PCG06	
30	F0843109020	9	PIPE FITTING	
31	F0824110000	27	COPPER WASHER 3/8 GAS	
32	590A0562	1	EXHAUST	

SERIAL

CONTROL VALVES

CODE REV

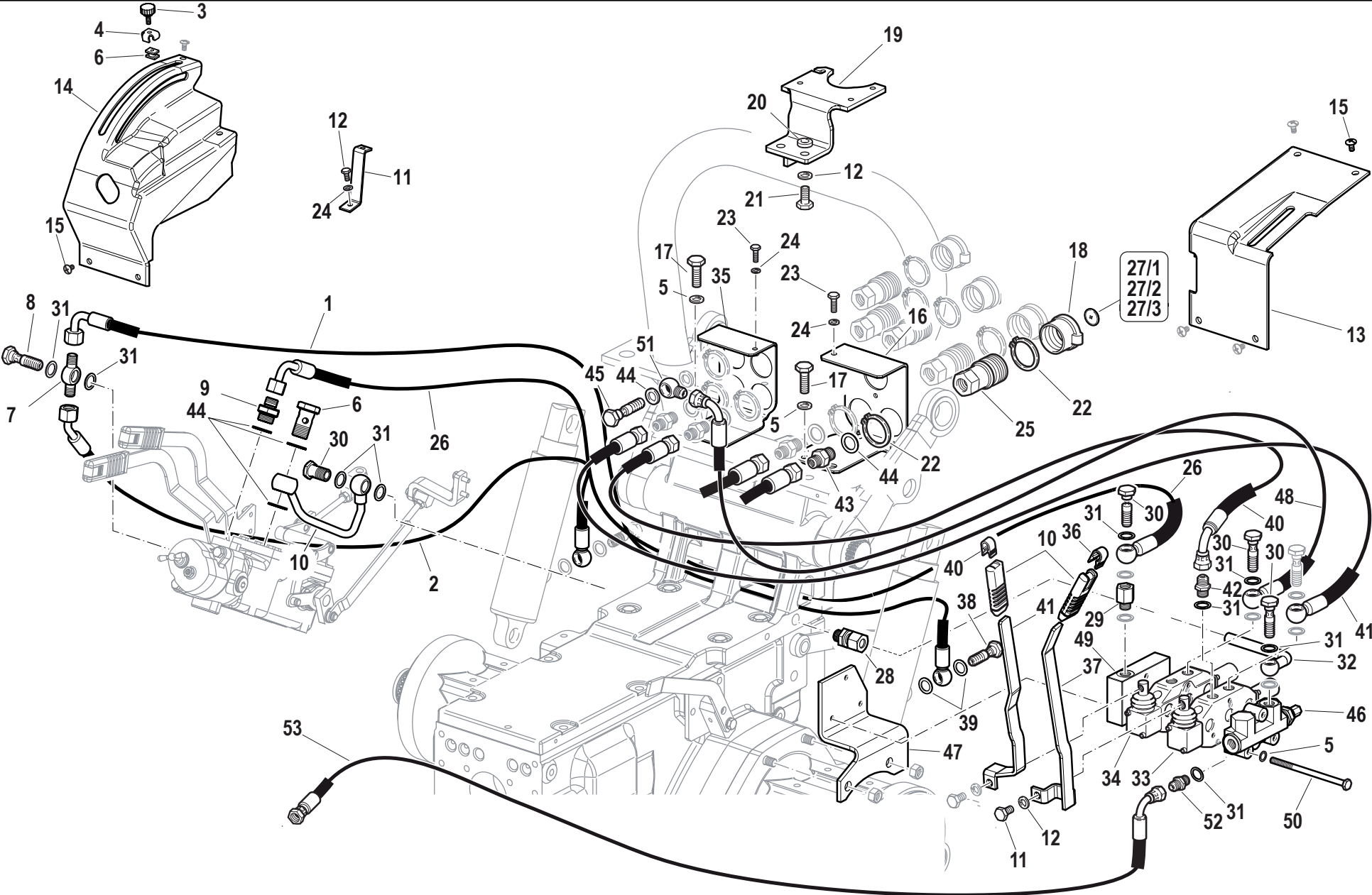
L.02.04.L40025_0



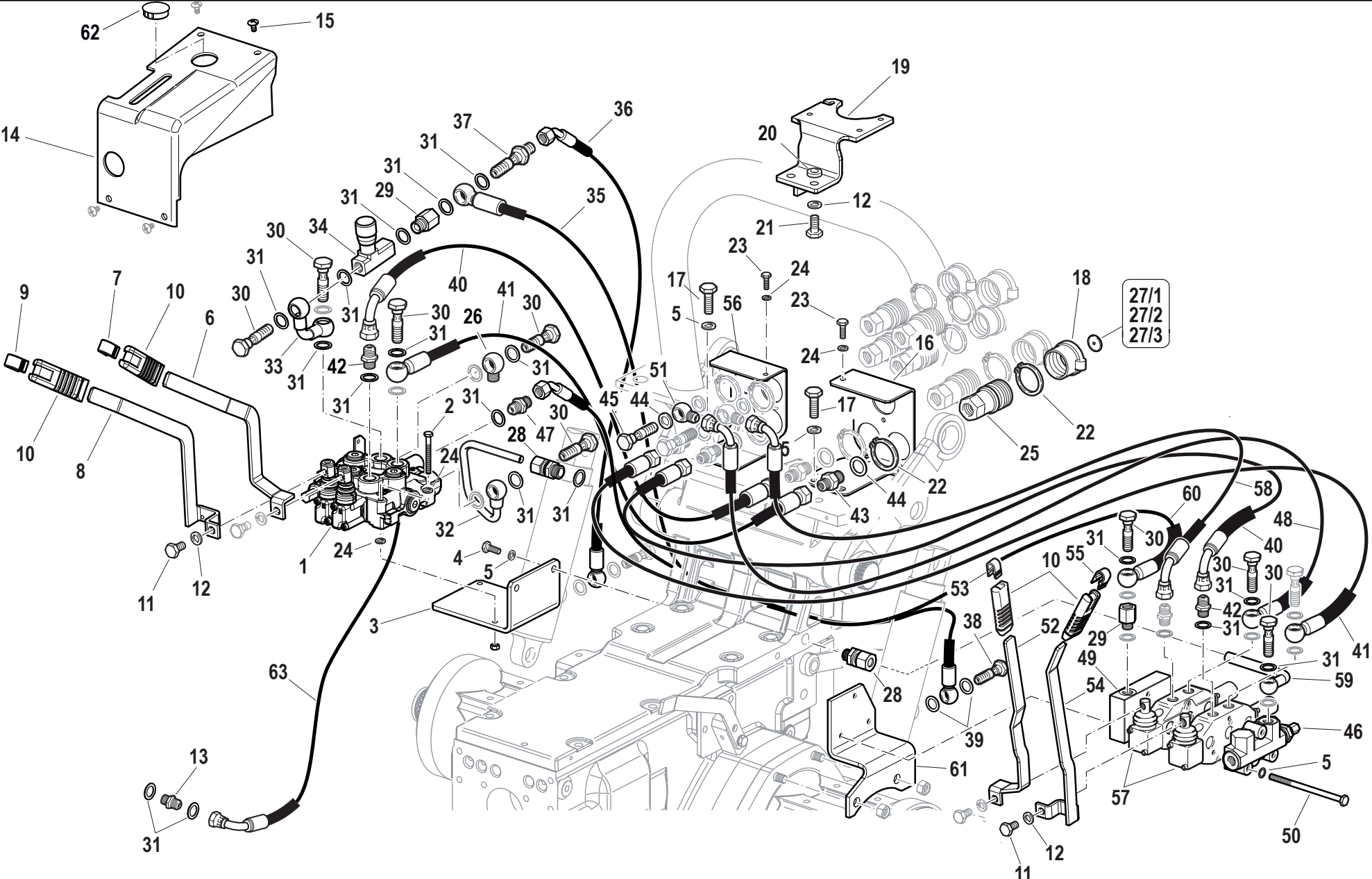
L.02.04.L40025_0.ai

Pos.	Code	Q.ty	Description	Notes
33	590A0544	1	PIPE	
34	P241171000000	1	VALVE	
35	580A0533	1	FLEXIBLE HOSE	
36	580A0534	1	FLEXIBLE HOSE	
37	56375407	1	TONGUE 3/8 -1/4	
38	F0843107000	2	PIPE FITTING GAS 1/4	
39	F0843907000	4	COPPER WASHER 13,66x19/1,5	
40	580A0528	2	FLEXIBLE HOSE	
41	580A0529	2	FLEXIBLE HOSE	
42	F0835023000	4	NIPPLE	
43	F0835040000	5	NIPPLE	
44	F0824141000	6	COPPER WASHER 21x27/1,5	
45	F0843116000	1	PIPE FITTING 1/2	
46	58172304	1	HEAD	
47	30000197	1	NIPPLE	
48	580A0526	1	FLEXIBLE HOSE	
49	58173361	1	COVER	
50	31112178	3	SCREW TE M8X130 UNI 5737	
51	F0835040030	1	PIPE FITTING	
52	561A0005	1	DISTRIBUTOR LEVER	
53	58176867	1	INSERT	
54	561A0006	1	DISTRIBUTOR LEVER	
55	58176866	1	INSERT	
56	590A1919N	1	RIGHT YOKE	
57	58172012	2	D.A. VALVE	
58	580A2606	1	FLEXIBLE HOSE	
59	590A0563	1	EXHAUST	
60	580A0530	1	FLEXIBLE HOSE	
61	56179956	1	RETAINER	
62	58177547	1	PLUG	
63	580A2758	1	FLEXIBLE HOSE	
64	30000197	2	NIPPLE	

CONTROL VALVES



CONTROL VALVES



L.02.03.L40025_0.ai

Pos.	Code	Q.ty	Description	Notes
1	581A0907	1	DISTRIBUTOR	
2	31111102	2	SCREW TE M6X50 UNI 5737 8G	
3	561A0002	1	RETAINER	
4	31112150	2	SCREW TE M8X20 UNI 5739 8G	
5	F0843643060	7	WASHER 8	
6	561A0003	1	DISTRIBUTOR LEVER	
7	58175188	1	INSERT	
8	561A0004	1	DISTRIBUTOR LEVER	
9	58175211	1	INSERT	
10	58175187	4	KNOB	
11	31112208	4	SCREW TE M10X16 UNI 5739	
12	F0843755000	6	WASHER 10 DIN 128-B	
13	30000197	2	NIPPLE	
14	573A0049	1	COVER	
15	F0861973100	8	SCREW M6X12 COMBI	
16	590A0091	1	LEFT BRACKET	
17	31111151	2	SCREW TE M8X16 UNI 5739 8G	
18	F0852550100	6	PLUG	
19	590A0093	1	SUPPORTING YOKE	
20	F0843818000	2	WASHER 11x30/2,5	
21	31112219	2	SCREW TE M10X25 UNI 5739	
22	F0801282000	12	SEEGER RING E 38 UNI 7435	
23	F0862129000	2	SCREW M6X18 UNI 5739 8.8	
24	F0843570000	4	WASHER 6	
25	F0825980030	6	COUPLING	
26	F0842505030	1	PIPE FITTING	
27/01	F0852550230	3	DECAL	
27/02	F0852550220	1	DECAL	
27/03	F0852550200	2	DECAL	
28	58172015	2	PIPE FITTING	
29	30000200	3	EXTENSION M/F3/8 BSP3/8 GH25 PCG06	
30	F0843109020	9	PIPE FITTING	
31	F0824110000	27	COPPER WASHER 3/8 GAS	
32	590A0562	1	EXHAUST	

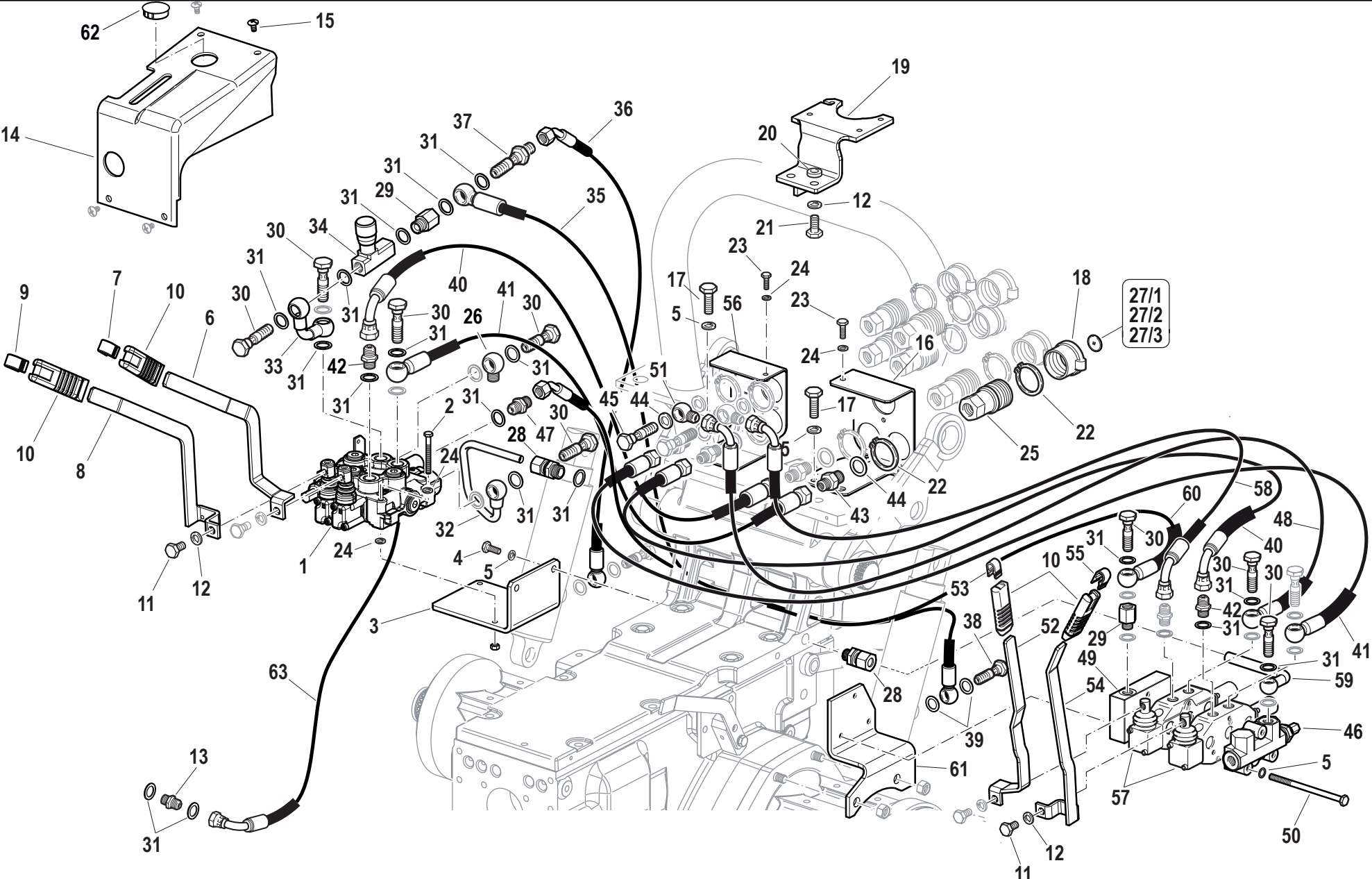
SERIAL

CONTROL VALVES

CODE REV

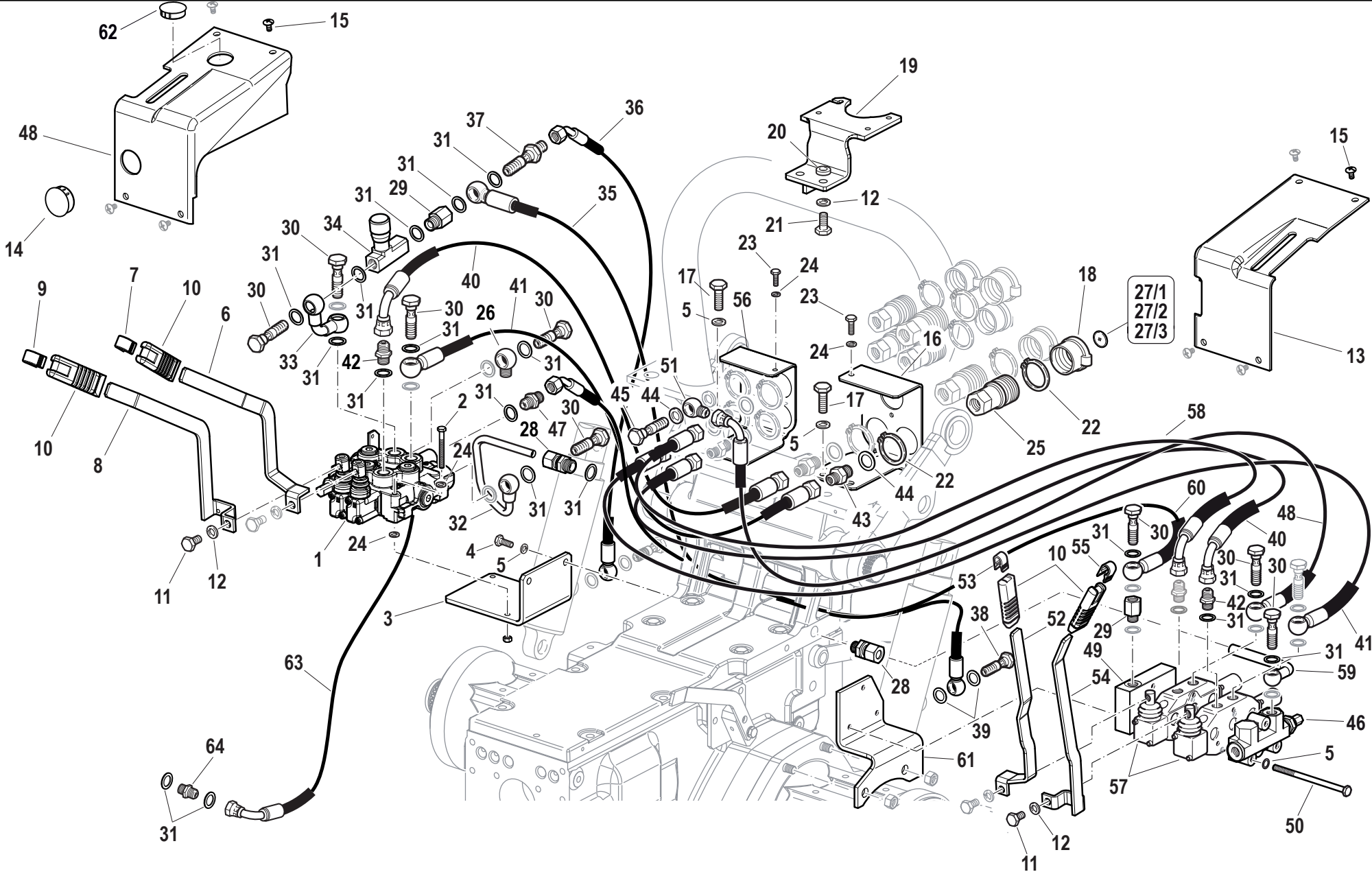
L.02.06.L40025_0

CONTROL VALVES



L.02.03.L40025_0.ai

Pos.	Code	Q.ty	Description	Notes
33	590A0544	1	PIPE	
34	P241171000000	1	VALVE	
35	580A0533	1	FLEXIBLE HOSE	
36	580A0534	1	FLEXIBLE HOSE	
37	56375407	1	TONGUE 3/8 -1/4	
38	F0843107000	2	PIPE FITTING GAS 1/4	
39	F0843907000	4	COPPER WASHER 13,66x19/1,5	
40	580A0528	2	FLEXIBLE HOSE	
41	580A0529	2	FLEXIBLE HOSE	
42	F0835023000	4	NIPPLE	
43	F0835040000	4	NIPPLE	
44	F0824141000	7	COPPER WASHER 21x27/1,5	
45	F0843116000	2	PIPE FITTING 1/2	
46	58172304	1	HEAD	
47	30000197	1	NIPPLE	
48	580A0526	1	FLEXIBLE HOSE	
49	58173361	1	COVER	
50	31112178	3	SCREW TE M8X130 UNI 5737	
51	F0835040030	2	PIPE FITTING	
52	561A0005	1	DISTRIBUTOR LEVER	
53	58176867	1	INSERT	
54	561A0006	1	DISTRIBUTOR LEVER	
55	58176866	1	INSERT	
56	590A1919N	1	RIGHT YOKE	
57	58172013	2	D.A. VALVE	
58	580A0527	1	FLEXIBLE HOSE	
59	590A0563	1	EXHAUST	
60	580A0530	1	FLEXIBLE HOSE	
61	56179956	1	RETAINER	
62	58177547	1	PLUG	
63	580A2758	1	FLEXIBLE HOSE	



L.02.04.L40025_0.ai

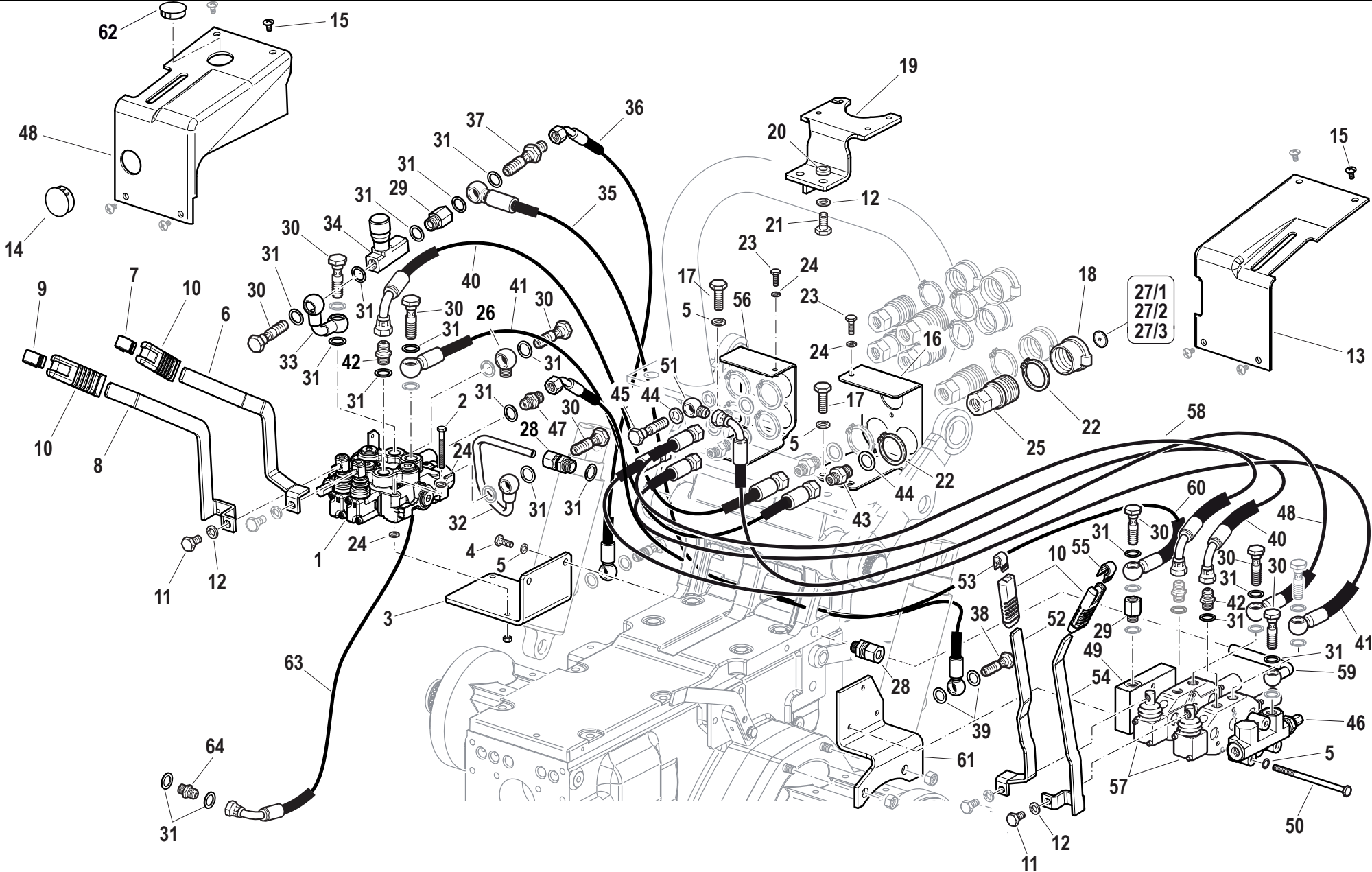
Pos.	Code	Q.ty	Description	Notes
1	581A0907	1	DISTRIBUTOR	
2	31111102	2	SCREW TE M6X50 UNI 5737 8G	
3	561A0002	1	RETAINER	
4	31112150	2	SCREW TE M8X20 UNI 5739 8G	
5	F0843643060	7	WASHER 8	
6	561A0003	1	DISTRIBUTOR LEVER	
7	58175188	1	INSERT	
8	561A0004	1	DISTRIBUTOR LEVER	
9	58175211	1	INSERT	
10	58175187	4	KNOB	
11	31112208	4	SCREW TE M10X16 UNI 5739	
12	F0843755000	6	WASHER 10 DIN 128-B	
13	573A0050	1	COVER	
14	573A0049	1	COVER	
15	F0861973100	8	SCREW M6X12 COMBI	
16	590A0091	1	LEFT BRACKET	
17	31111151	2	SCREW TE M8X16 UNI 5739 8G	
18	F0852550100	6	PLUG	
19	590A0093	1	SUPPORTING YOKE	
20	F0843818000	2	WASHER 11x30/2,5	
21	31112219	2	SCREW TE M10X25 UNI 5739	
22	F0801282000	12	SEEGER RING E 38 UNI 7435	
23	F0862129000	2	SCREW M6X18 UNI 5739 8.8	
24	F0843570000	4	WASHER 6	
25	F0825980030	6	COUPLING	
26	F0842505030	1	PIPE FITTING	
27/01	F0852550230	3	DECAL	
27/02	F0852550220	1	DECAL	
27/03	F0852550200	1	DECAL	
28	58172015	2	PIPE FITTING	
29	30000200	3	EXTENSION M/F3/8 BSP3/8 GH25 PCG06	
30	F0843109020	9	PIPE FITTING	
31	F0824110000	27	COPPER WASHER 3/8 GAS	
32	590A0562	1	EXHAUST	

SERIAL

CONTROL VALVES

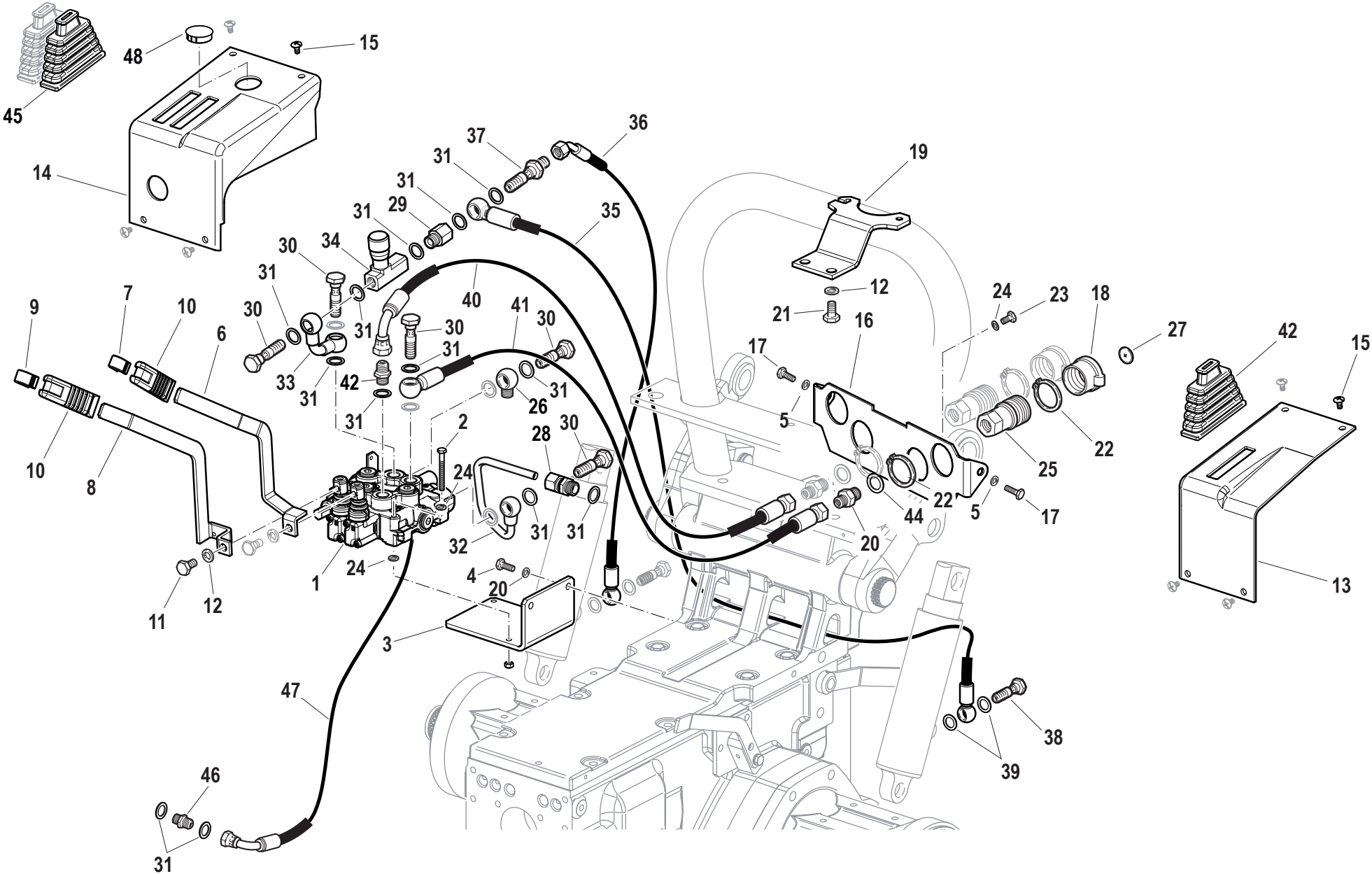
CODE REV

L.02.07.L40025_0



L.02.04.L40025_0.ai

Pos.	Code	Q.ty	Description	Notes
33	590A0544	1	PIPE	
34	P241171000000	1	VALVE	
35	580A0533	1	FLEXIBLE HOSE	
36	580A0534	1	FLEXIBLE HOSE	
37	56375407	1	TONGUE 3/8 -1/4	
38	F0843107000	2	PIPE FITTING GAS 1/4	
39	F0843907000	4	COPPER WASHER 13,66x19/1,5	
40	580A0528	2	FLEXIBLE HOSE	
41	580A0529	2	FLEXIBLE HOSE	
42	F0835023000	4	NIPPLE	
43	F0835040000	5	NIPPLE	
44	F0824141000	6	COPPER WASHER 21x27/1,5	
45	F0843116000	1	PIPE FITTING 1/2	
46	58172304	1	HEAD	
47	30000197	1	NIPPLE	
48	580A0526	1	FLEXIBLE HOSE	
49	58173361	1	COVER	
50	31112178	3	SCREW TE M8X130 UNI 5737	
51	F0835040030	1	PIPE FITTING	
52	561A0005	1	DISTRIBUTOR LEVER	
53	58176867	1	INSERT	
54	561A0006	1	DISTRIBUTOR LEVER	
55	58176866	1	INSERT	
56	590A1919N	1	RIGHT YOKE	
57	58172013	2	D.A. VALVE	
58	580A2606	1	FLEXIBLE HOSE	
59	590A0563	1	EXHAUST	
60	580A0530	1	FLEXIBLE HOSE	
61	56179956	1	RETAINER	
62	58177547	1	PLUG	
63	580A2758	1	FLEXIBLE HOSE	
64	30000197	2	NIPPLE	



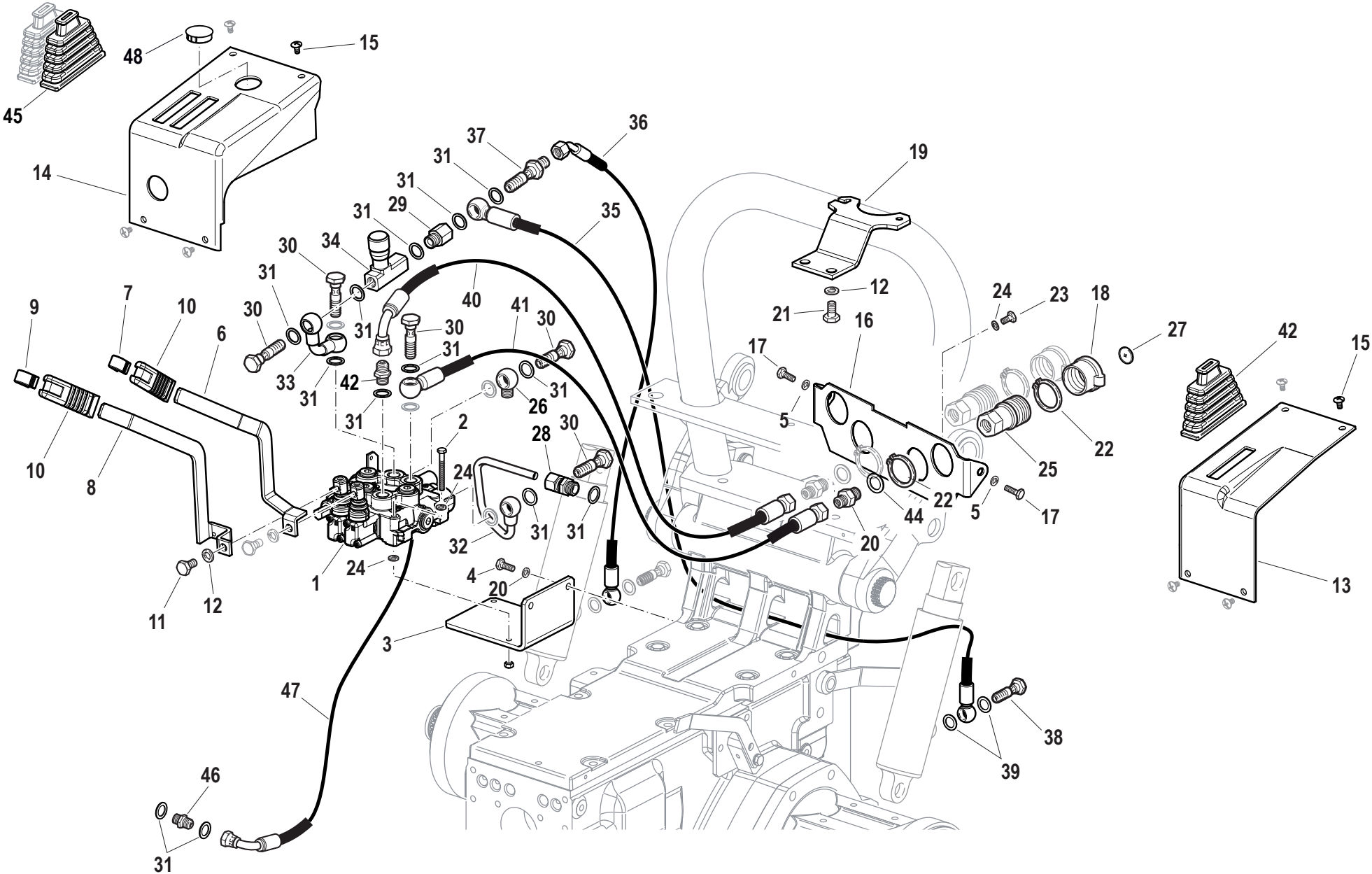
Pos.	Code	Q.ty	Description	Notes
1	581A0907	1	DISTRIBUTOR	
2	31111102	2	SCREW TE M6X50 UNI 5737 8G	
3	561A0002	1	RETAINER	
4	31112150	2	SCREW TE M8X20 UNI 5739 8G	
5	F0843643060	4	WASHER 8	
6	561A0003	1	DISTRIBUTOR LEVER	
7	58175188	1	INSERT	
8	561A0004	1	DISTRIBUTOR LEVER	
9	58175211	1	INSERT	
10	58175187	2	KNOB	
11	31112208	2	SCREW TE M10X16 UNI 5739	
12	F0843755000	2	WASHER 10 DIN 128-B	
13	573A2658	1	COVER	
14	573A2659	1	COVER	
15	F0861973100	8	SCREW M6X12 COMBI	
16	561A2379N	1	RETAINER	
17	31111151	2	SCREW TE M8X16 UNI 5739 8G	
18	F0852550100	2	PLUG	
19	561A2386N	1	RETAINER	
20	561A3185	1	NIPPLE 1/2 -1/4	
21	31112210	2	SCREW TE M10X20 UNI 5739	
22	F0801282000	4	SEEGER RING E 38 UNI 7435	
23	31111091	1	SCREW E M6X14 UNI 5739 8G	
24	F0843570000	3	WASHER 6	
25	F0825980030	2	COUPLING	
26	F0842505030	1	PIPE FITTING	
27	F0852550200	1	DECAL	
28	58172015	1	PIPE FITTING	
29	30000200	2	EXTENSION M/F3/8 BSP3/8 GH25 PCG06	
30	F0843109020	5	PIPE FITTING	
31	F0824110000	16	COPPER WASHER 3/8 GAS	
32	590A0562	1	EXHAUST	
33	590A0544	1	PIPE	
34	P241171000000	1	VALVE	

SERIAL

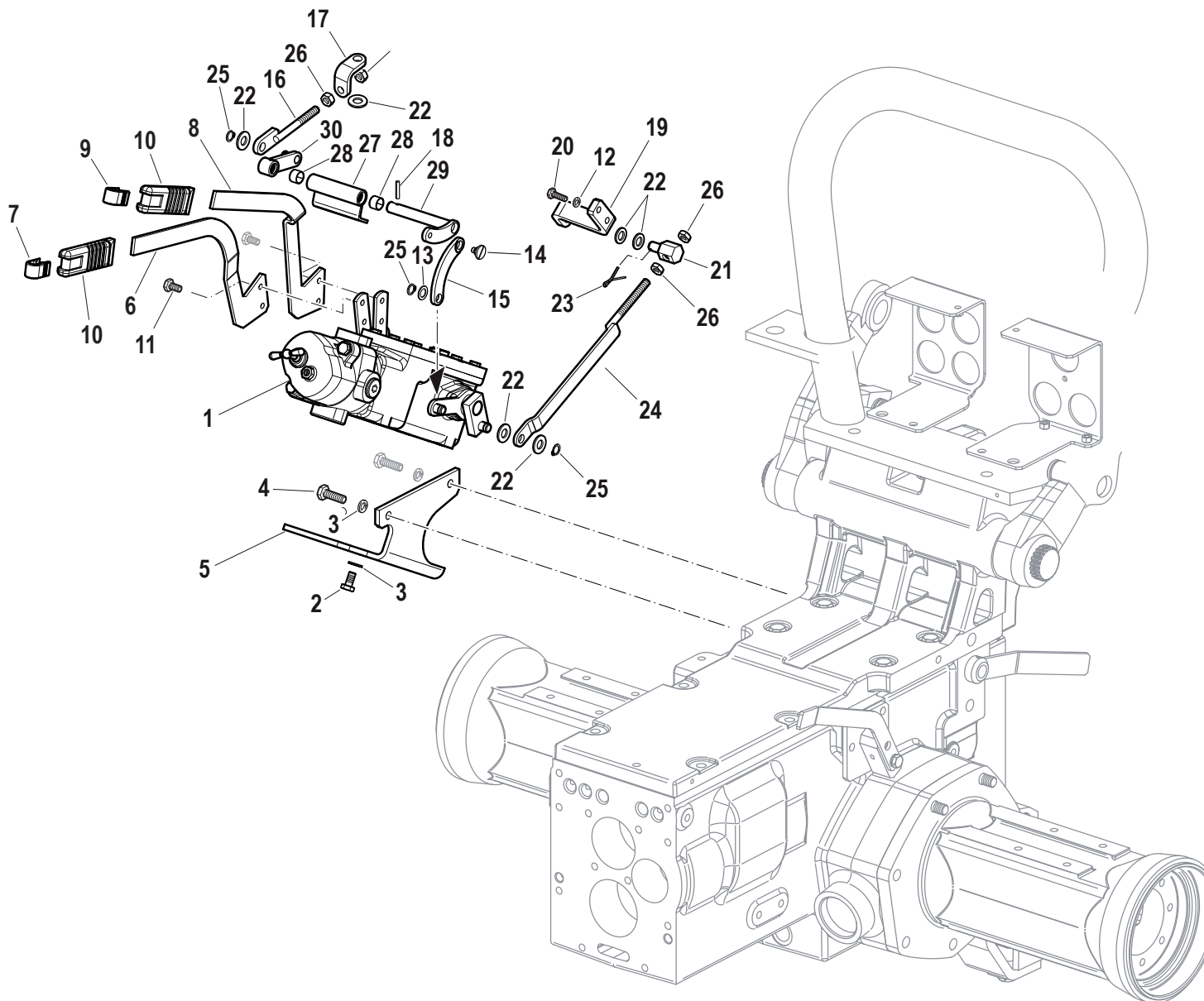
CONTROL VALVES

CODE REV

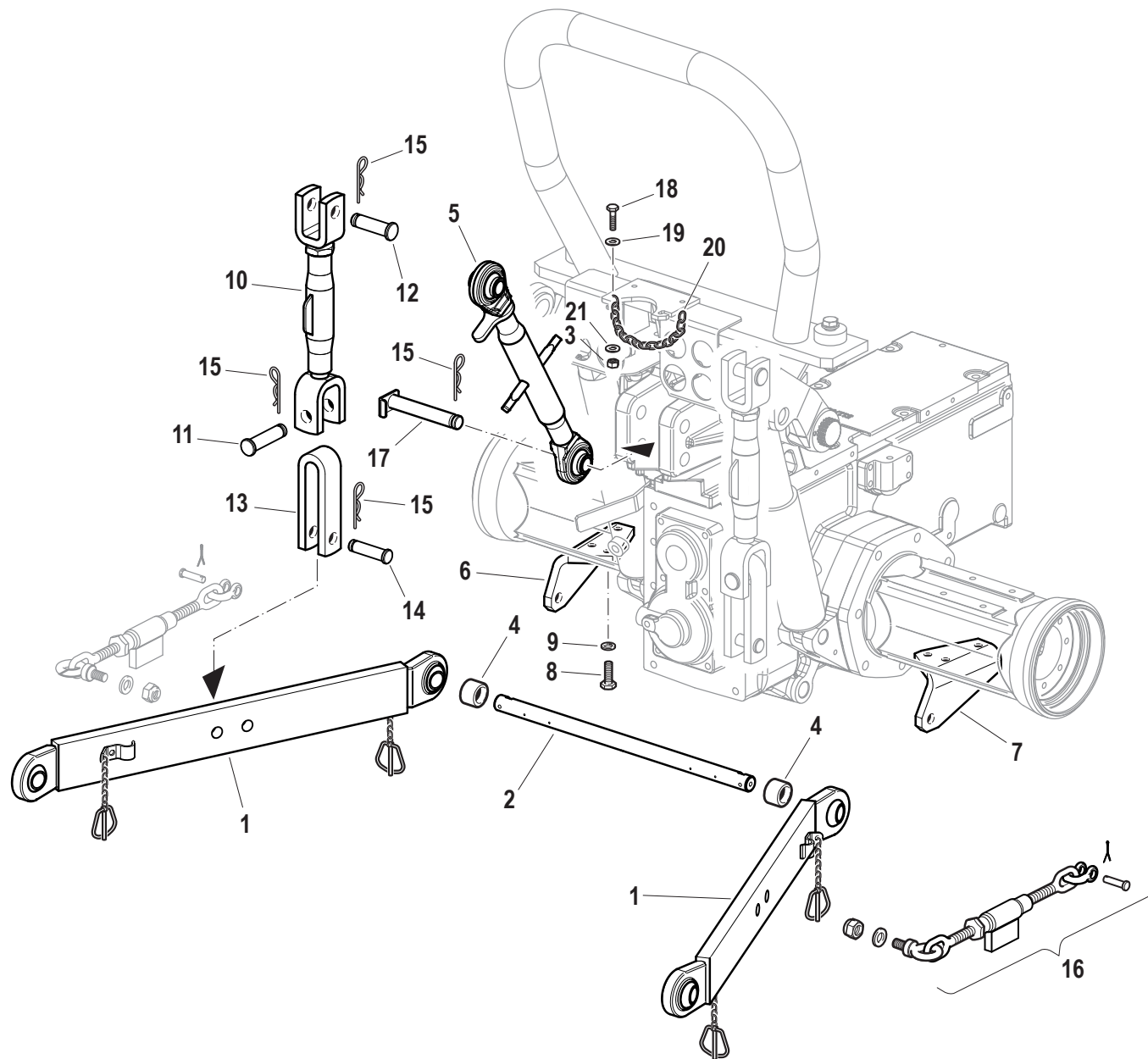
L.02.08.L40025_0

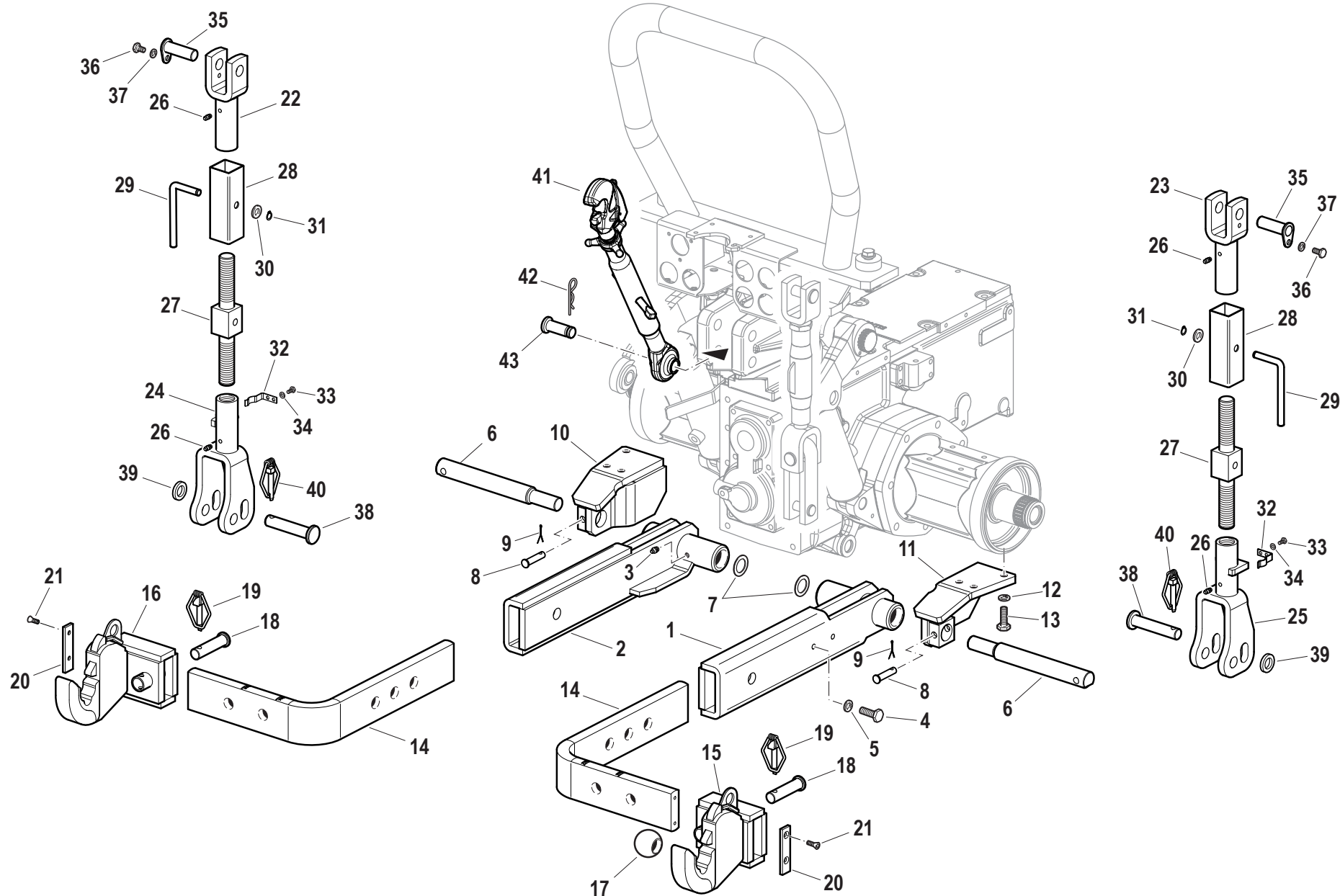


Pos.	Code	Q.ty	Description	Notes
35	580A0533	1	FLEXIBLE HOSE	
36	580A0534	1	FLEXIBLE HOSE	
37	56375407	1	TONGUE 3/8 -1/4	
38	F0843107000	2	PIPE FITTING GAS 1/4	
39	F0843907000	4	COPPER WASHER 13,66x19/1,5	
40	580A2605	1	FLEXIBLE HOSE	
41	58075898	1	FLEXIBLE HOSE	
42	F0835023000	1	NIPPLE	
44	F0824141000	2	COPPER WASHER 21x27/1,5	
45	55178581	3	BELLOWS	
46	30000197	2	NIPPLE	
47	580A2758	1	FLEXIBLE HOSE	
48	58177547	1	PLUG	



Pos.	Code	Q.ty	Description	Notes
1	58175472	1	DISTRIBUTOR	
2	31111151	6	SCREW TE M8X16 UNI 5739 8G	
3	F0843643060	13	WASHER 8	
4	31112150	2	SCREW TE M8X20 UNI 5739 8G	
5	561A0448	1	FIXING BRACKET	
6	561A0476	1	LEVER	
7	58175188	1	INSERT	
8	561A0485	1	DISTRIBUTOR LEVER	
9	58175211	1	INSERT	
10	58175187	2	KNOB	
11	31111090	2	SCREW TE M5X10 UNI 5739 8G	
12	F0843570000	2	WASHER 6	
13	F0843771000	1	COPPER WASHER 10,0x16/1	
14	563A0450	1	HINGE PIN	
15	563A0449	1	BRACKET	
16	590A0638	1	ROD	
17	563A0461	1	BRACKET	
18	34213020	1	ROLL PIN	
19	56075473	1	BRACKET	
20	31112093	2	SCREW TE M6X20	
21	56075265	1	HINGE PIN	
22	31411104	4	WASHER 10,5x18	
23	34110030	1	SPLIT PIN A3X20 UNI 1336	
24	590A0462	1	ROD	
25	F0801050000	4	SEEGER RING E 10 UNI 7435	
26	31231080	4	NUT M8	
27	590A0454	1	RH HINGE	
28	P000000309112	2	BUSHING BMC 12.10	
29	590A0451	1	LEVER	
30	590A0457	1	LEVER	





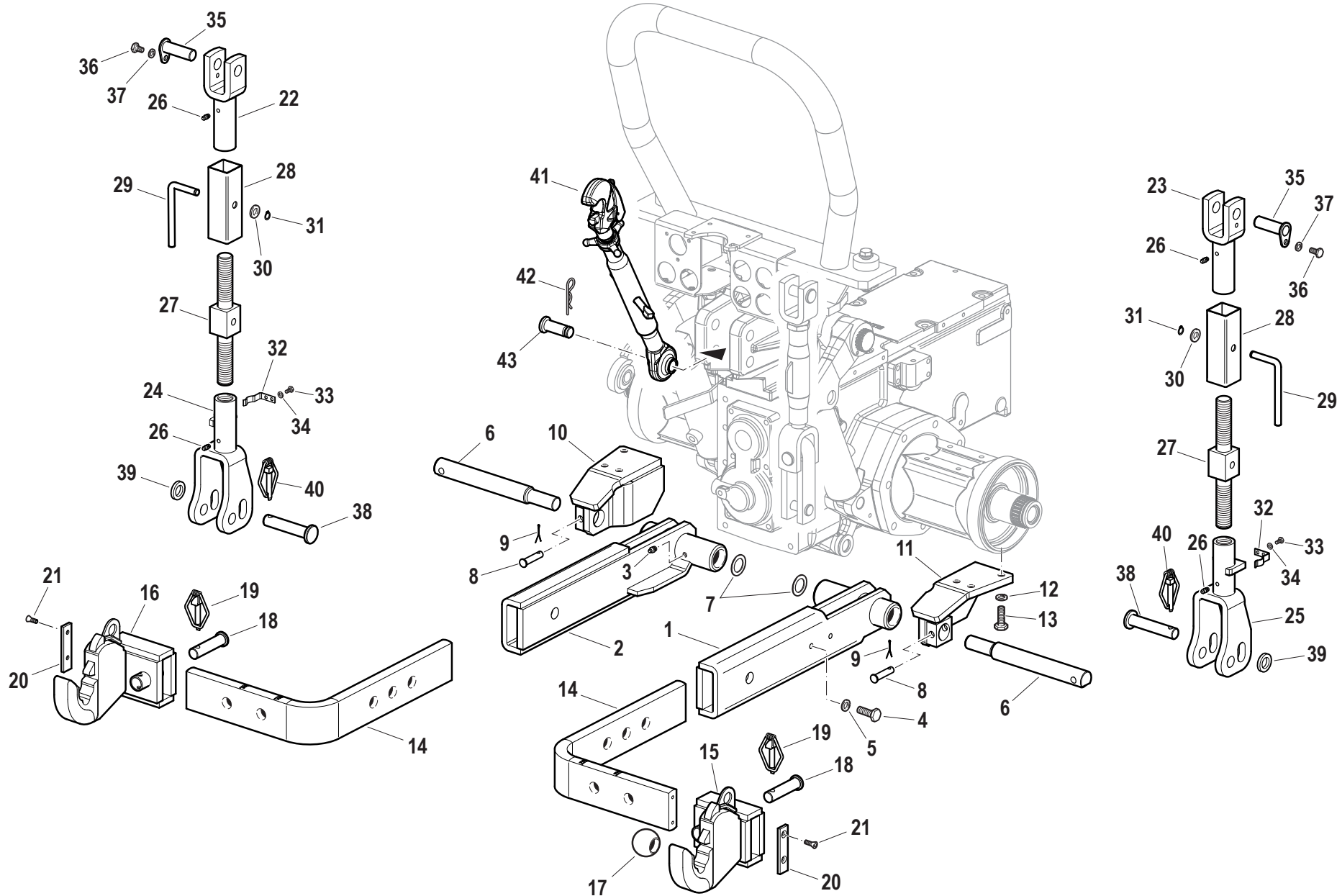
Pos.	Code	Q.ty	Description	Notes
1	590A0950	1	HOLDER	
2	590A0954	1	HOLDER	
3	F0826056000	2	LUBRICATOR M10 UNI 7663A	
4	31112210	2	SCREW TE M10X20 UNI 5739	
5	F0843755000	2	WASHER 10 DIN 128-B	
6	565A0971	2	HINGE PIN	
7	31411212	2	WASHER 23x39/3	
8	580A0972	2	PIN	
9	34110030	2	SPLIT PIN A3X20 UNI 1336	
10	590A0980	1	SUPPORT	
11	590A0982	1	SUPPORT	
12	31112211	6	SCREW TE M10X30 UNI 5739	
13	F0843755000	6	WASHER 10 DIN 128-B	
14	563A0956	2	ARM	
15	590A0957	1	DEVICE COUPLING	
16	590A0960	1	DEVICE COUPLING	
17	58175783	2	JOINT	
18	56179473	2	LOCKING BOLT	
19	34240085	2	PIN	
20	560A1025	2	SMALL PLATE	
21	31132562	4	SCREW TSVEI M6X16 UNI 5933	
22	590A0964	1	FORK	
23	590A0963	1	FORK	
24	590A0968	1	FORK	
25	590A0969	1	FORK	
26	F0826016000	4	LUBRICATOR M6 UNI 7663A	
27	560A1027	2	ROD	
28	560A1028	2	PIPE 40x40/2 55-65	
29	560A1029	2	LEVER	
30	31411105	2	WASHER 10,5x21	
31	F0801050000	2	SEEGER RING E 10 UNI 7435	
32	580A1026	2	SPRING	
33	31111089	4	SCREW TE M5X10 UNI 5739 8G	
34	F0843561000	4	WASHER 5	

SERIAL

ATTACHMENT - ARMS WITH ADJUSTABLE HOOKS QUICK

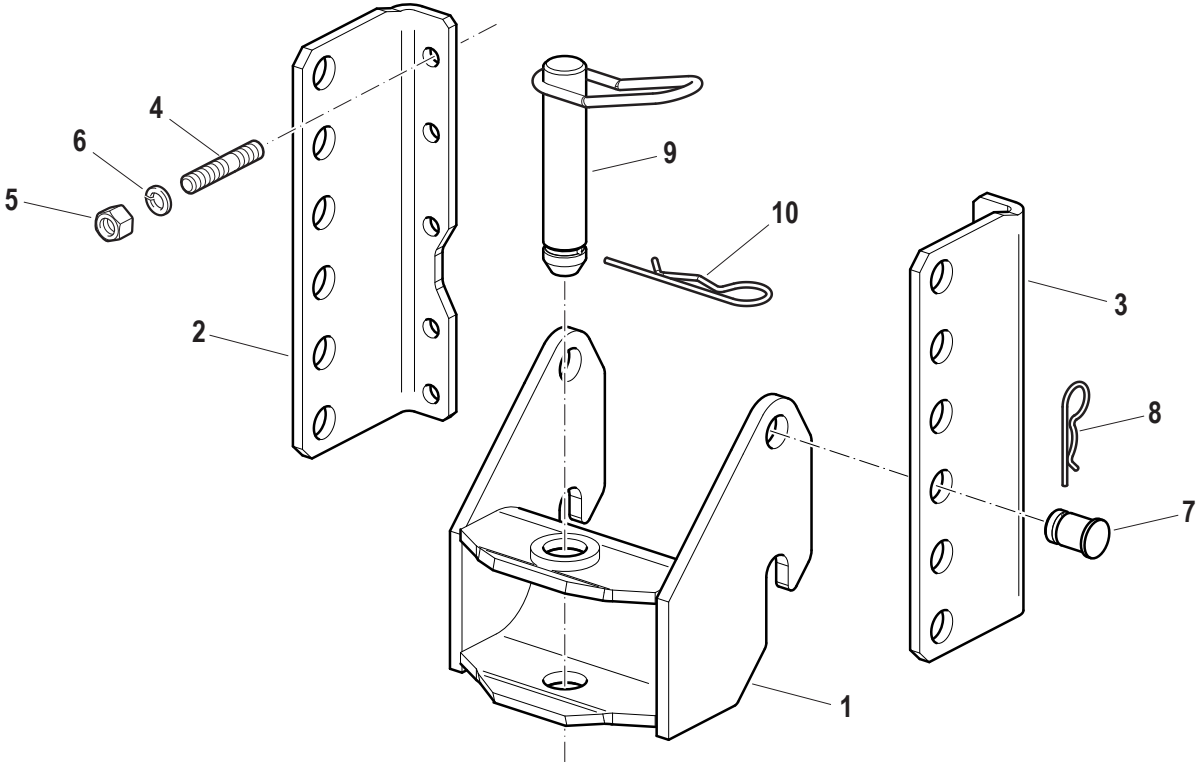
CODE REV

T.01.02.L40025_0

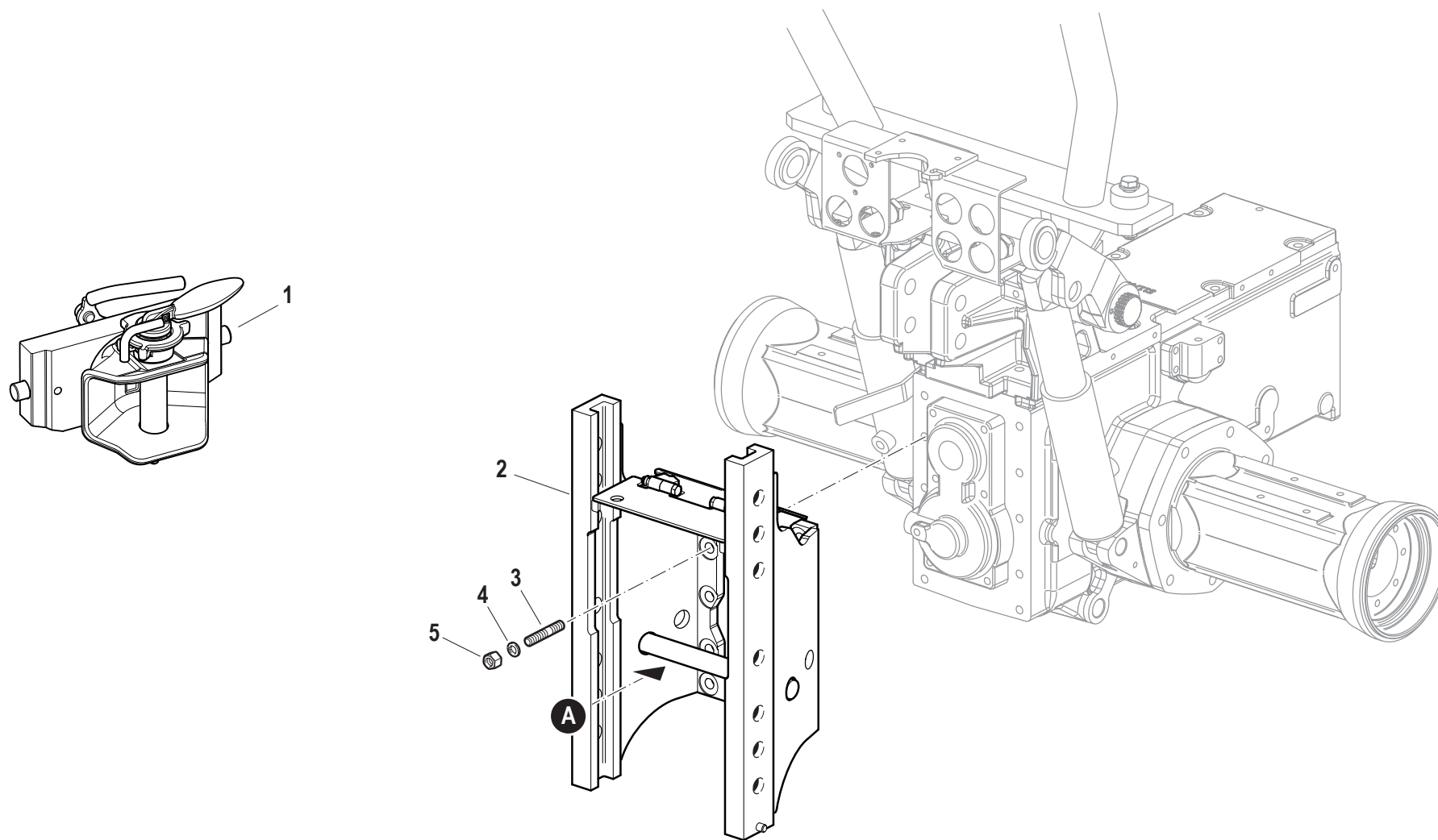


Pos.	Code	Q.ty	Description	Notes
35	590A1030	2	PIN	
36	31112149	2	SCREW TE M8X12 UNI 5739 8G	
37	F0843643060	2	WASHER 8	
38	563A0970	2	PIN	
39	F0844150000	2	WASHER D.30x18,5/5	
40	34240085	2	PIN	
41	58079818	1	3-POINT HITCH	
42	F0851486000	7	SPLIT PIN	
43	56372067	1	PIN	

PULL HOOK - STANDARD

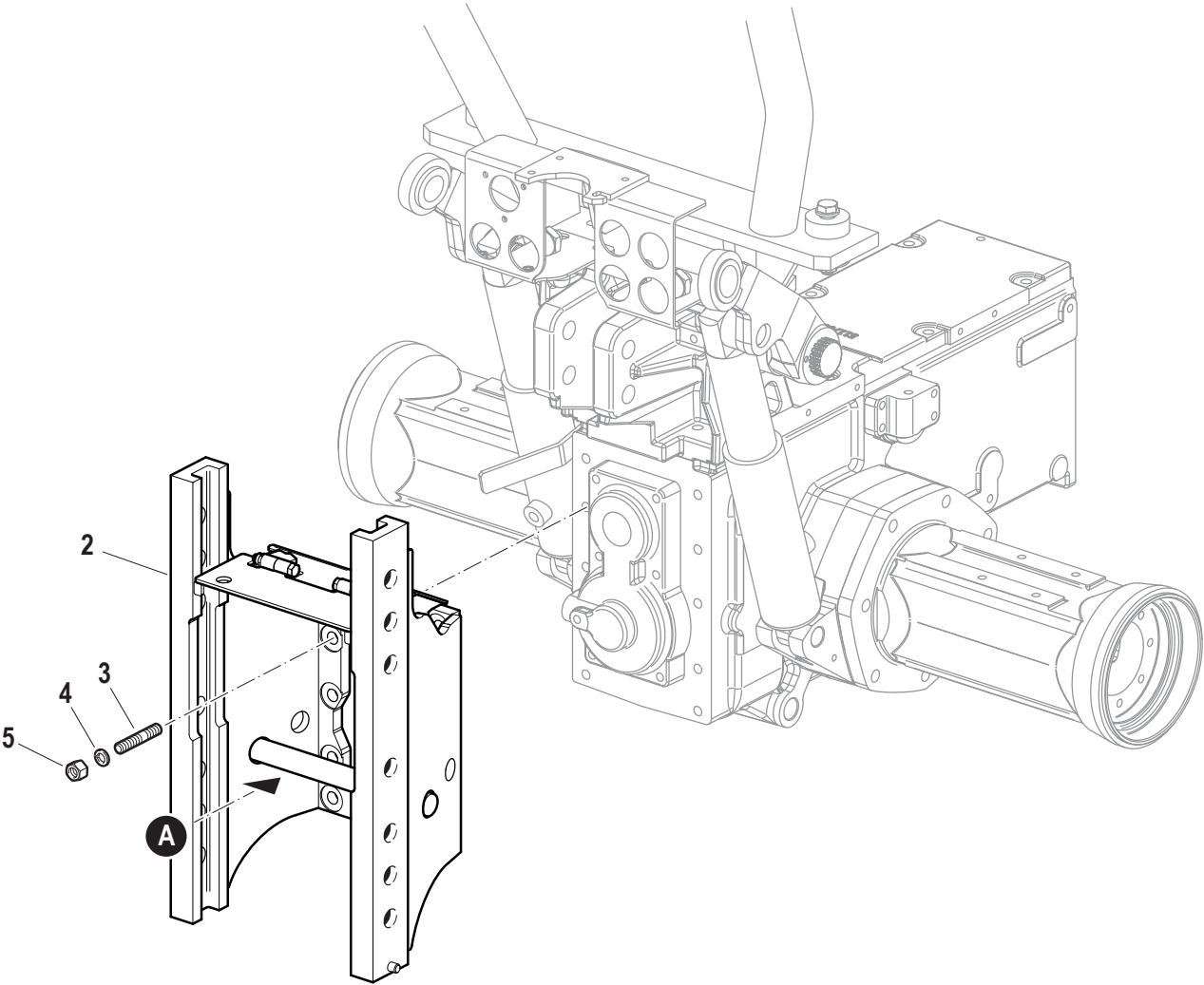
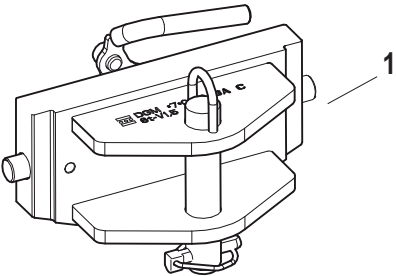


Pos.	Code	Q.ty	Description	Notes
1	590A0728	1	TOW HOOK	
2	56179326	1	SUPPORT	
3	56179327	1	SUPPORT	
4	F0838610000	10	STUD BOLT M12X25 UNI 5911	
5	F0814695000	10	NUT M12	
6	F0843843060	10	WASHER 12	
7	56372067	4	PIN	
8	F0851486000	4	SPLIT PIN	
9	F0808060100	1	LATCH D.28X117	
10	F0851497000	1	SPLIT PIN	

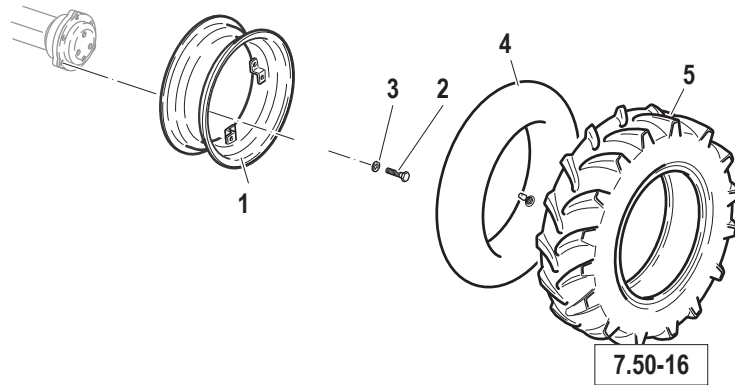


Pos.	Code	Q.ty	Description	Notes
1	59377734N	1	CLEVIS	
2	593A0878N	1	CHASSIS FRAME	
3	F0838610000	10	STUD BOLT M12X25 UNI 5911	
4	F0814695000	10	NUT M12	
5	F0843843060	10	WASHER 12	

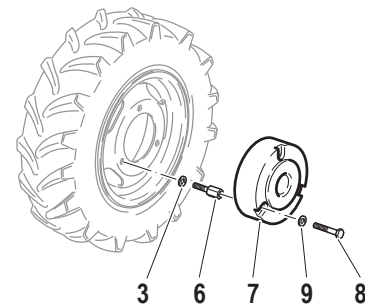
SLIDER FRAME WITH CUNA TOW HOOK



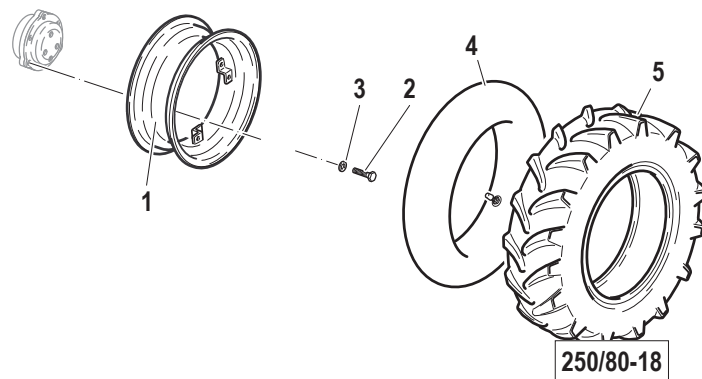
Pos.	Code	Q.ty	Description	Notes
1	59377734N	1	CLEVIS	
2	593A0878N	1	CHASSIS FRAME	
3	F0838610000	10	STUD BOLT M12X25 UNI 5911	
4	F0814695000	10	NUT M12	
5	F0843843060	10	WASHER 12	



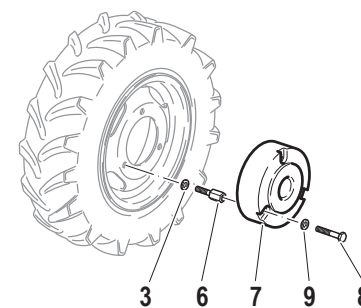
ZAVORRA
COUNTERWEIGHT
CONTREPOIDS
BALLAST
CONTRAPESO



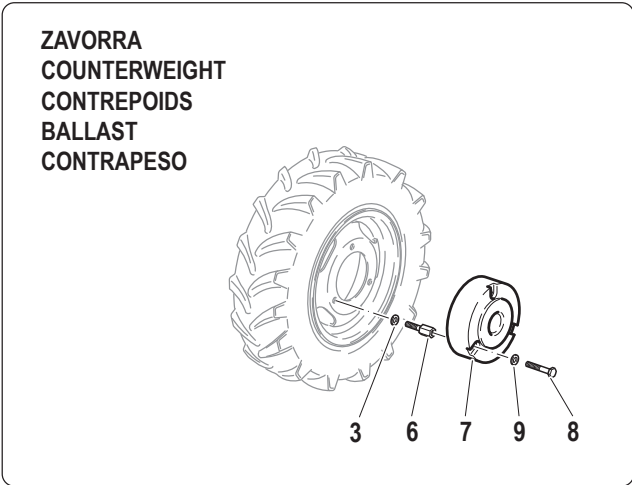
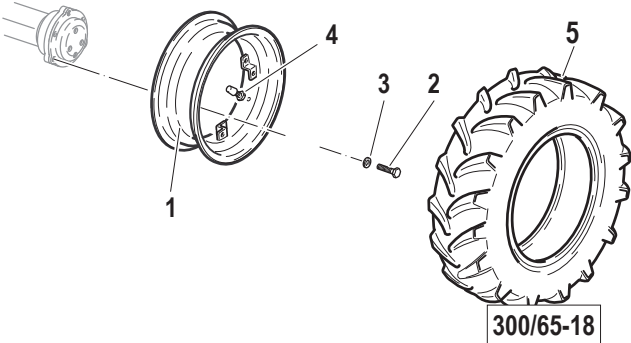
Pos.	Code	Q.ty	Description	Notes
1	592A0365	4	RIM	
2	F0864410500	12	SCREW M18X1,5/45 U/5740	
3	F0844150000	12	WASHER D.30x18,5/5	
4	F0848887000	4	INNER TUBE	
5	F0848635000	4	TYRE 7.50-16 8PR	
6	56370539	3	SPECIAL SCREW M18x45	
7	51172563	1	BALLAST KG.45	
8	F0864314000	3	SCREW M14X65 UNI 5737	
9	F0843993060	3	WASHER 28x15/4	



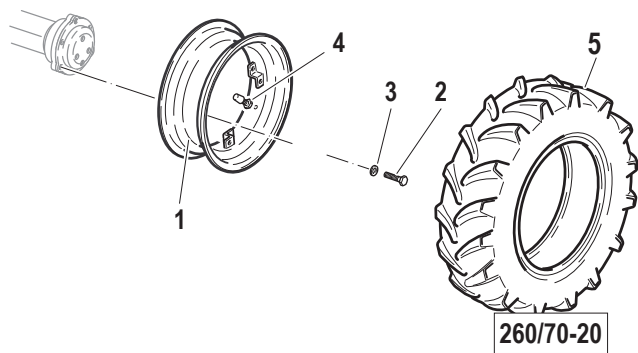
ZAVORRA
COUNTERWEIGHT
CONTREPOIDS
BALLAST
CONTRAPESO



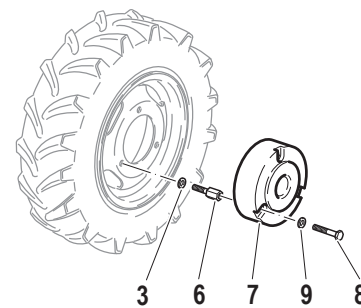
Pos.	Code	Q.ty	Description	Notes
1	592A0156	1	RIM	
2	F0864410500	3	SCREW M18X1,5/45 U/5740	
3	F0844150000	3	WASHER D.30x18,5/5	
4	F0848855000	1	INNER TUBE 7.50-18 TR15	
5	F0848655000	1	TYRE 250/80-18 8PR	
6	56370539	3	SPECIAL SCREW M18x45	
7	51172563	1	BALLAST KG.45	
8	F0864314000	3	SCREW M14X65 UNI 5737	
9	F0843993060	3	WASHER 28x15/4	



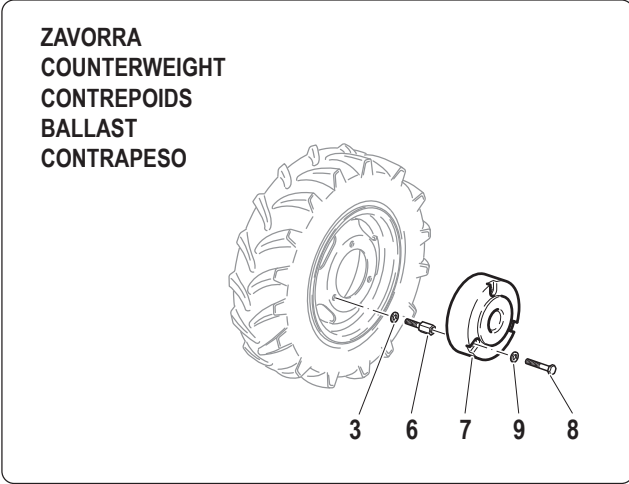
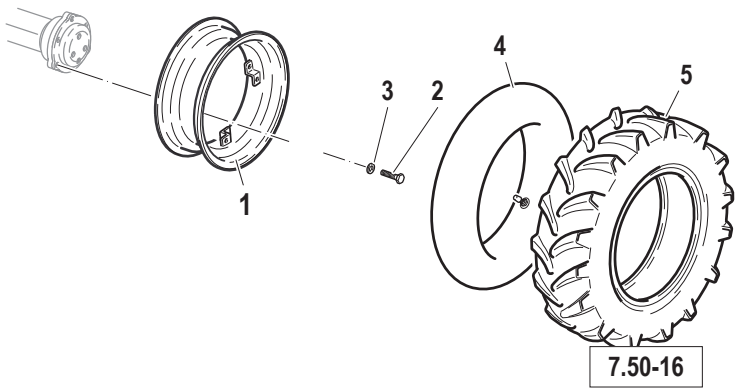
Pos.	Code	Q.ty	Description	Notes
1	59279887	1	RIM	
2	F0864410500	3	SCREW M18X1,5/45 U/5740	
3	F0844150000	3	WASHER D.30x18,5/5	
4	F0150010905	1	VALVE TR 415 D.16	
5	39121800	4	TYRE 300/65-18	
6	56370539	3	SPECIAL SCREW M18x45	
7	51172563	1	BALLAST KG.45	
8	F0864314000	3	SCREW M14X65 UNI 5737	
9	F0843993060	3	WASHER 28x15/4	



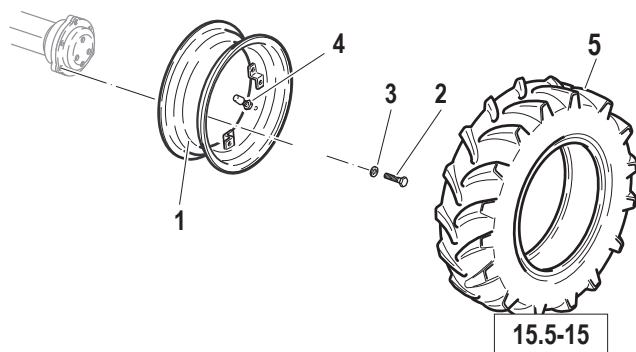
ZAVORRA
COUNTERWEIGHT
CONTREPOIDS
BALLAST
CONTRAPESO



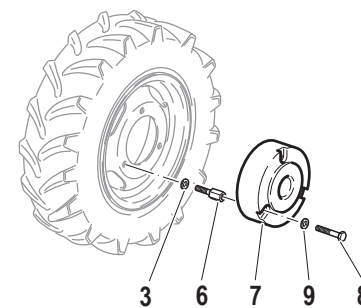
Pos.	Code	Q.ty	Description	Notes
1	59279877	1	RIM	
2	F0864410500	3	SCREW M18X1,5/45 U/5740	
3	F0844150000	3	WASHER D.30x18,5/5	
4	F0150010905	1	VALVE TR 415 D.16	
5	39118520	4	TYRE 260/70-R20 113A8/B RT765 BKT	
6	56370539	3	SPECIAL SCREW M18x45	
7	51172563	1	BALLAST KG.45	
8	F0864314000	3	SCREW M14X65 UNI 5737	
9	F0843993060	3	WASHER 28x15/4	



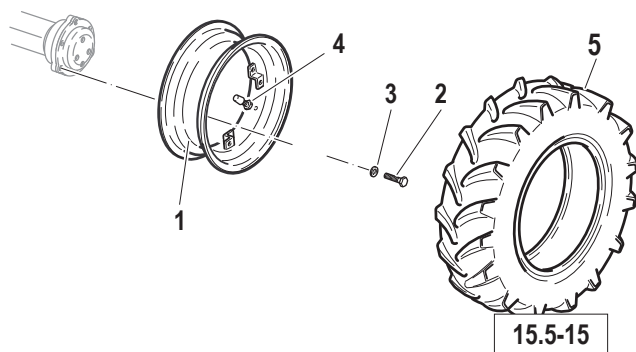
Pos.	Code	Q.ty	Description	Notes
1	592A0141	1	RIM	
2	F0864410500	3	SCREW M18X1,5/45 U/5740	
3	F0844150000	3	WASHER D.30x18,5/5	
4	F0848844000	1	INNER TUBE	
5	F0848672100	1	TYRE 11.5/80-15.3 8PR	
6	56370539	3	SPECIAL SCREW M18x45	
7	51172563	1	BALLAST KG.45	
8	F0864314000	3	SCREW M14X65 UNI 5737	
9	F0843993060	3	WASHER 28x15/4	



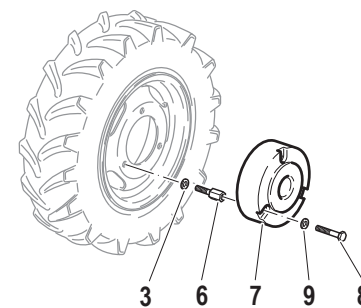
ZAVORRA
COUNTERWEIGHT
CONTREPOIDS
BALLAST
CONTRAPESO



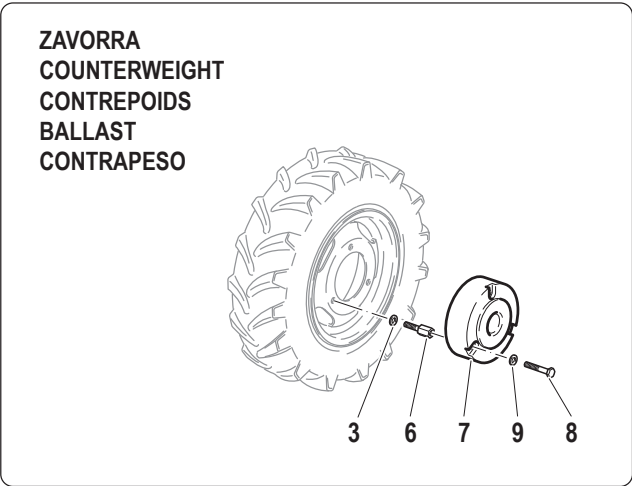
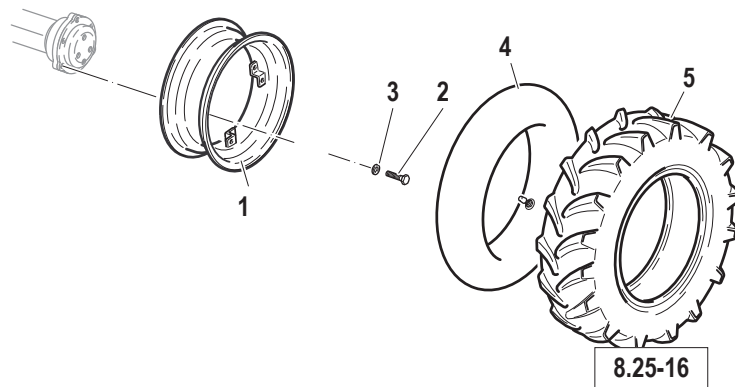
Pos.	Code	Q.ty	Description	Notes
1	581A0370	1	RIM 13LBx15 RAL 9006	
2	F0864410500	3	SCREW M18X1,5/45 U/5740	
3	F0844150000	3	WASHER D.30x18,5/5	
4	F0150010905	1	VALVE TR 415 D.16	
5	F0848681600	1	TYRE 31X15.5-15 8PR	
6	56370539	3	SPECIAL SCREW M18x45	
7	51172563	1	BALLAST KG.45	
8	F0864314000	3	SCREW M14X65 UNI 5737	
9	F0843993060	3	WASHER 28x15/4	



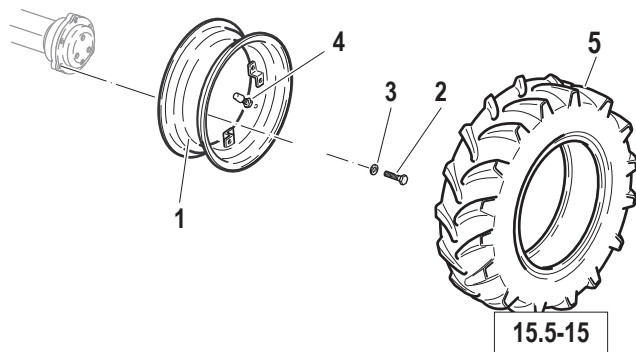
ZAVORRA
COUNTERWEIGHT
CONTREPOIDS
BALLAST
CONTRAPESO



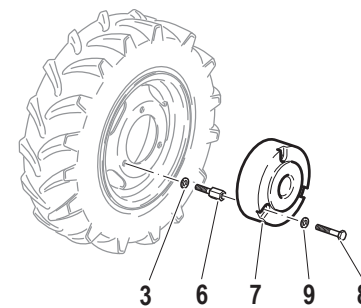
Pos.	Code	Q.ty	Description	Notes
1	581A0370	4	RIM 13LBx15 RAL 9006	
2	F0864410500	3	SCREW M18X1,5/45 U/5740	
3	F0844150000	3	WASHER D.30x18,5/5	
4	F0150010905	4	VALVE TR 415 D.16	
5	F0848681500	4	TYRE 31X15.5-15 8PR	
6	56370539	3	SPECIAL SCREW M18x45	
7	51172563	1	BALLAST KG.45	
8	F0864314000	3	SCREW M14X65 UNI 5737	
9	F0843993060	3	WASHER 28x15/4	



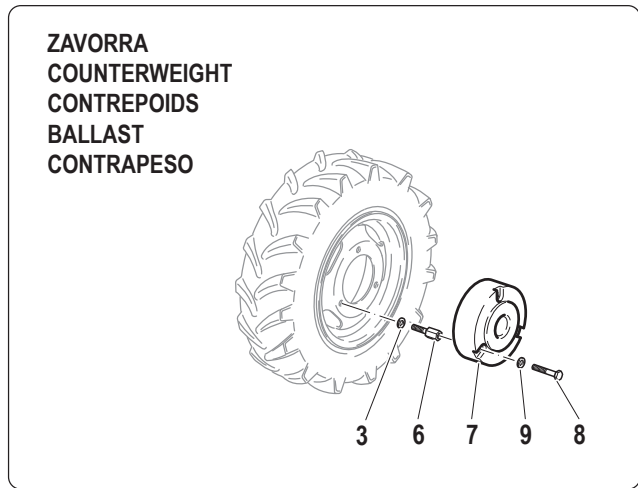
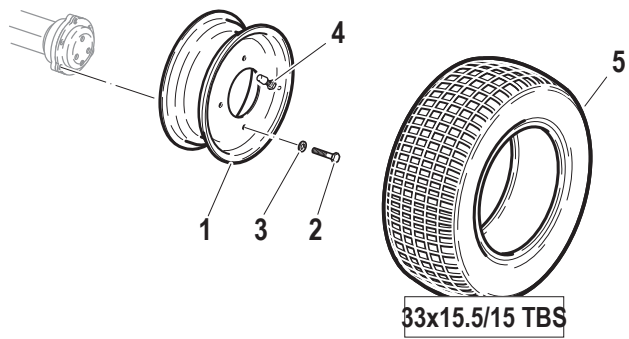
Pos.	Code	Q.ty	Description	Notes
1	592A0365	1	RIM	
2	F0864410500	3	SCREW M18X1,5/45 U/5740	
3	F0844150000	3	WASHER D.30x18,5/5	
4	F0848887000	1	INNER TUBE	
5	F0848648000	1	TYRE 8.25-16 06 TT	
6	56370539	3	SPECIAL SCREW M18x45	
7	51172563	1	BALLAST KG.45	
8	F0864314000	3	SCREW M14X65 UNI 5737	
9	F0843993060	3	WASHER 28x15/4	



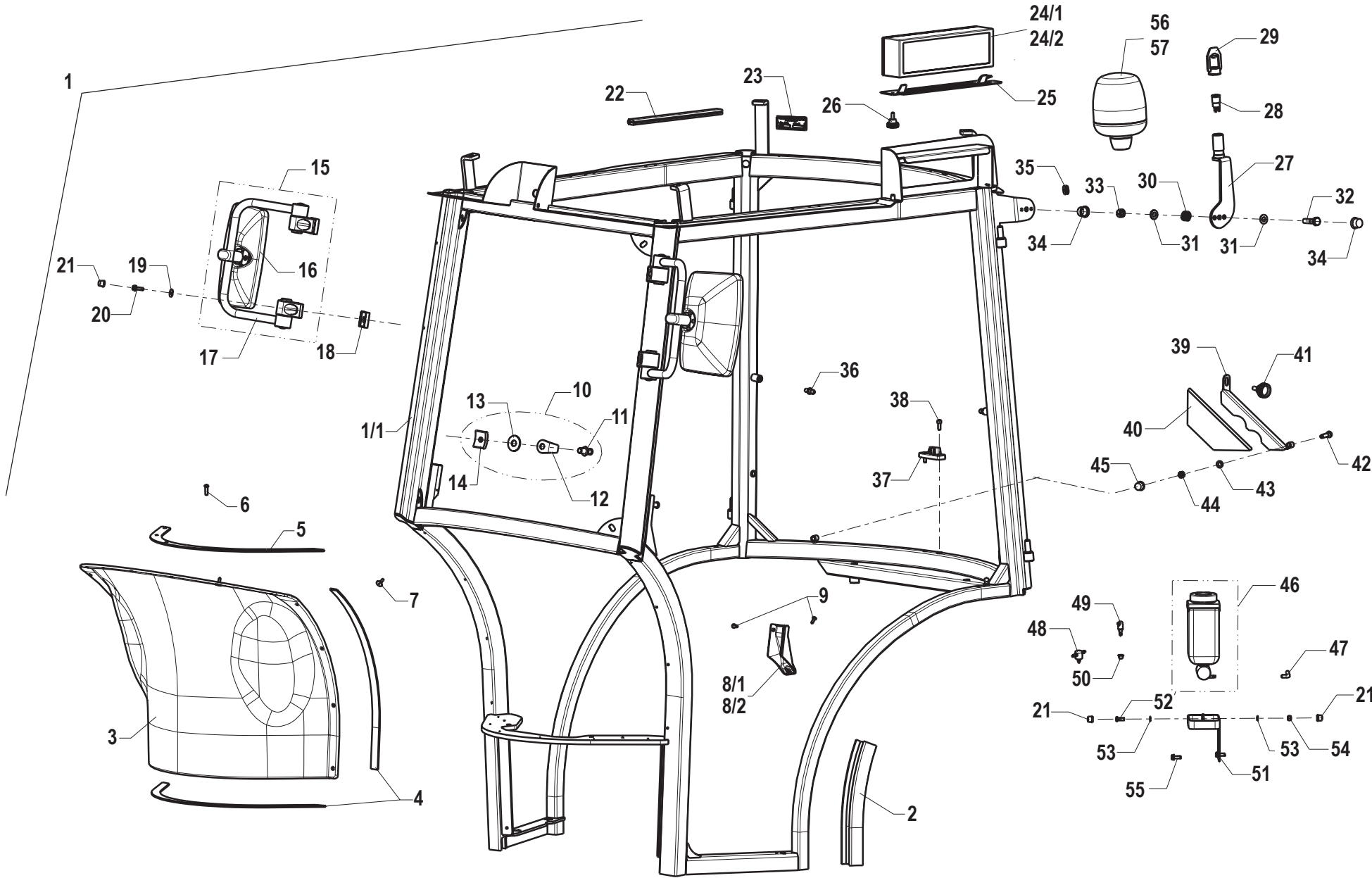
ZAVORRA
COUNTERWEIGHT
CONTREPOIDS
BALLAST
CONTRAPESO



Pos.	Code	Q.ty	Description	Notes
1	59279887	4	RIM	
2	F0864410500	3	SCREW M18X1,5/45 U/5740	
3	F0844150000	3	WASHER D.30x18,5/5	
4	F0150010905	4	VALVE TR 415 D.16	
5	39118070	4	TYRE 320/65R18 RT657 BKT	
6	56370539	3	SPECIAL SCREW M18x45	
7	51172563	1	BALLAST KG.45	
8	F0864314000	3	SCREW M14X65 UNI 5737	
9	F0843993060	3	WASHER 28x15/4	



Pos.	Code	Q.ty	Description	Notes
1	581A0585	4	RIM 10LBx15 RAL9006	
2	F0864410500	3	SCREW M18X1,5/45 U/5740	
3	F0844150000	3	WASHER D.30x18,5/5	
4	F0150010905	44	VALVE TR 415 D.16	
5	F0848681000	4	TYRE 31X13.5-15 4PR	
6	56370539	3	SPECIAL SCREW M18x45	
7	51172563	1	BALLAST KG.45	
8	F0864314000	3	SCREW M14X65 UNI 5737	
9	F0843993060	3	WASHER 28x15/4	



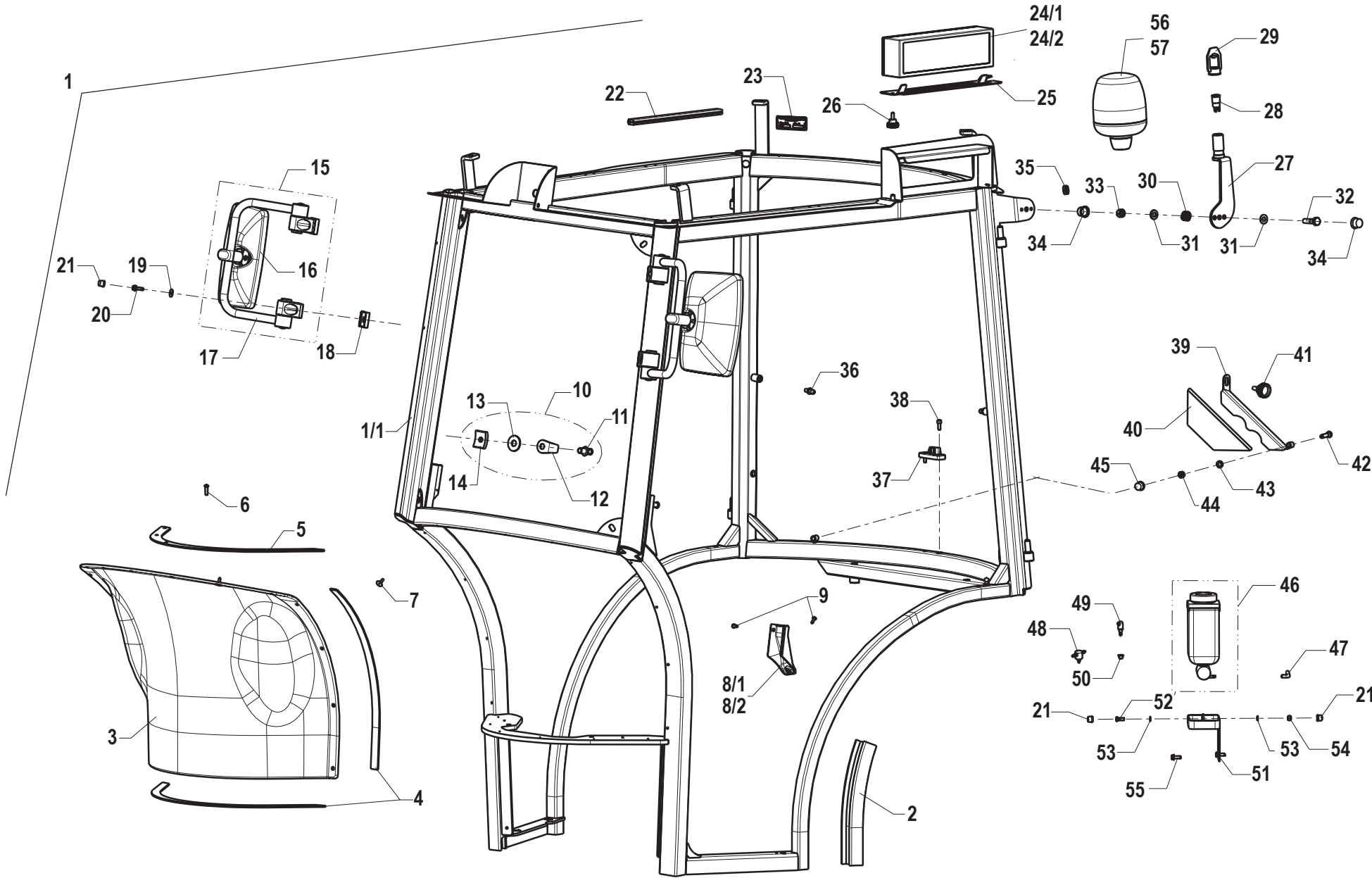
Pos.	Code	Q.ty	Description	Notes
1	59905324	1	CAB FRAME	
1/1	59905325	1	CHASSIS FRAME	
2	59905129	1	MUDGUARD GASKET	
3	59905326	1	CHIUSERA FRONT.BF8-B 627B18860	
4	59905130	1	FOAM RUBBER	
5	59905131	1	PLATE	
6	59905132	6	SCREW	
7	59900397	14	RIVET	
8/1	59905133	1	COVER	
8/2	59905134	1	COVER	
9	59905006	4	RIBBED SCREW	
10	59900564	2	KIT	
11	59900034	2	PIN	
12	59900026	2	CLEVIS	
13	59900027	2	SHIM M12X36	
14	59900028	2	SMALL PLATE	
15	59900773	2	MIRROR	
16	59900006	2	SUMP	
17	59900381	2	ROD	
18	59900383	4	SHIM	
19	59900398	4	WASHER M6X18	
20	59900035	4	SCREW 6X20	
21	59900037	4	NUT COVER	
22	59905135	1	GASKET	
23	59900567	1	PLATE	
24/1	59900676	1	FILTER	
24/2	59900677	1	CARBON FILTER	
25	59905136	1	GRILLE	
26	59900725	1	GRAINED KNOB	
27	59905137	1	SUPPORT	
28	59900047	1	SOCKET	
29	59900046	1	PLASTIC PLUG	
30	59900782	1	SPRING	
31	31411105	2	WASHER 10,5x21	

SERIAL

FRAME BF8B

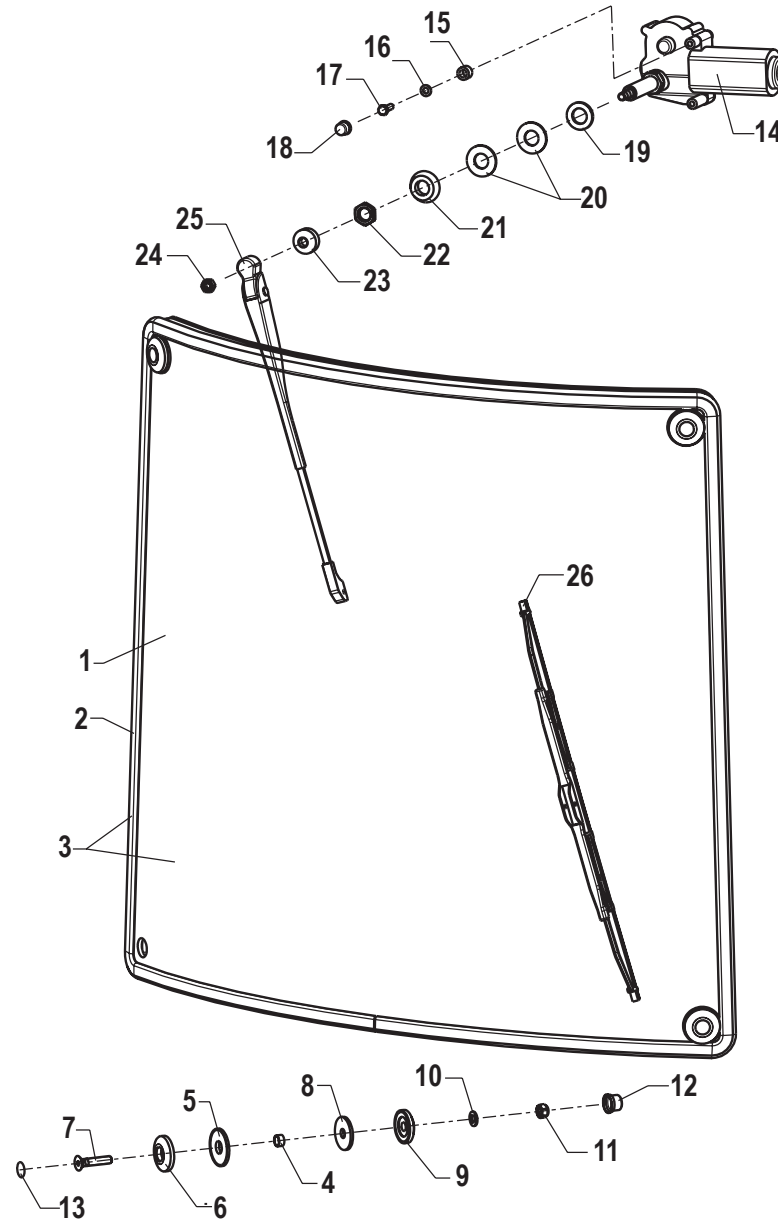
CODE REV

Y.01.01.L20003_0



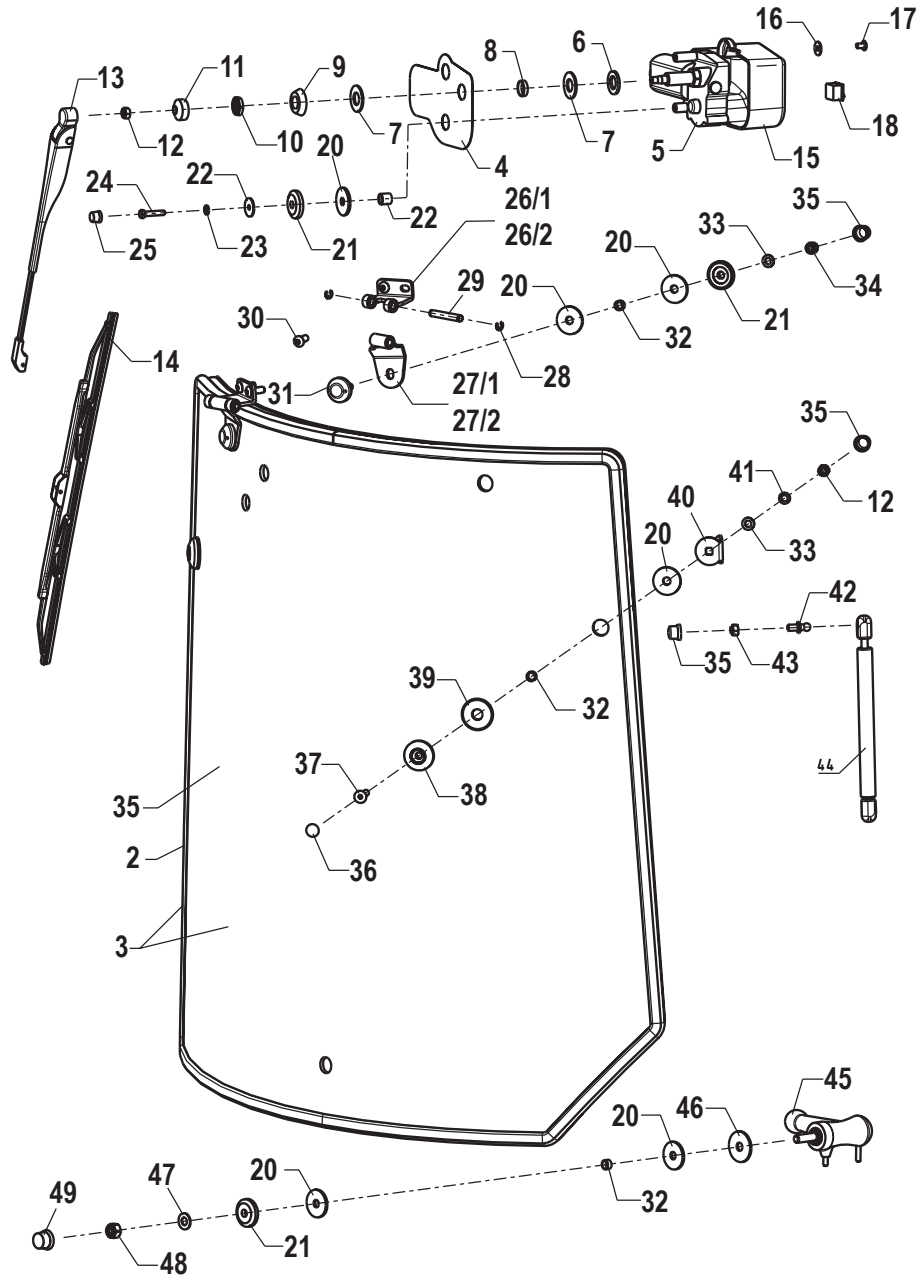
Pos.	Code	Q.ty	Description	Notes
32	59905138	1	SCREW	
33	31241100	1	SELFLOCK HEXAGON NUT M10	
34	59900108	2	NUT COVER	
35	59900075	1	GASKET	
36	59900106	4	JOINT	
37	59900565	1	STOP	
38	59900566	2	SCREW	
39	59905139	1	CABLE GLAND	
40	59905140	1	FOAM RUBBER	
41	59900013	1	KNOB	
42	59905141	1	SCREW	
43	59900393	1	ELASTIC WASHER M8 D.17MM	
44	31241080	1	HEXAGON SELFLOCK NUT M8	
45	59900109	1	NUT COVER	
46	59900389	1	TANK	
47	59900787	1	PIPE	
48	59900388	1	PIPE FITTING	
49	59900466	2	COOLING NOZZLE	
50	59900477	2	RUBBER PLUG	
51	59900590	1	SUPPORT	
52	59900396	1	HEXAGON SCREW M6X15	
53	59905142	2	WASHER M6	
54	31241060	1	HEXAGON SELFLOCK NUT M6	
55	59900031	2	SCREW	
56	58177756	1	ROTARY WARN. LAMP	

FRONT GLASS



Pos.	Code	Q.ty	Description	Notes
1	59905143	1	FRONT GLASS	
2	59905144	1	GLASS GASKET	
3	59905145	1	FRONT GLASS	
4	59900103	4	RING	
5	59905043	4	RUBBER WASHER	
6	59900102	4	PLASTIC WASHER 10x36/8	
7	59900625	4	SCREW	
8	59900074	4	WASHER	
9	59900102	4	PLASTIC WASHER 10x36/8	
10	31411090	4	WASHER 9x24	
11	31241080	4	HEXAGON SELFLOCK NUT M8	
12	59900109	4	NUT COVER	
13	59900604	1	SCREW COVER	
14	59900606	1	WIPER MOTOR	
15	59900802	1	SPACER	
16	31411064	1	WASHER 6,4x12,5	
17	31112093	2	SCREW TE M6X20	
18	59900037	1	NUT COVER	
19	59900407	1	WASHER M16 D.30MM	
20	59900408	2	RUBBER WIPER MOTOR WASHER	
21	59900409	1	CONICAL WASHER FOR WIPER MOTOR	
22	59900608	1	NUT SHAFT WIPER MOTOR	
23	59900107	1	PIN COVER	
24	31211060	3	HEXAGONAL NUT M8	
25	59900814	1	WIPER ARM	
26	59905146	1	WIPER BLADE	

REAR GLASS



Pos.	Code	Q.ty	Description	Notes
1	59905123	1	REAR GLASS	
2	59905148	1	GLASS GASKET	
3	59905124	1	CAB REAR GLAS WITH GASKET	
4	59900093	1	DECAL	
5	59905149	1	WIPER MOTOR	
6	59900407	1	WASHER M16 D.30MM	
7	59900408	2	RUBBER WIPER MOTOR WASHER	
8	59900403	1	SPACER	
9	59900409	1	CONICAL WASHER FOR WIPER MOTOR	
10	59900608	1	NUT SHAFT WIPER MOTOR	
11	59900107	1	PIN COVER	
12	31211060	3	HEXAGONAL NUT M8	
13	59900814	1	WIPER ARM	
14	59905146	1	WIPER BLADE	
15	59900414	1	COVER	
16	59900406	2	WASHER FOR FIXTING	
17	59900405	2	SCREW	
18	59900415	1	SWITCH	
19	59900138	1	NYLON RING HINGE 14X13	
20	59900074	9	WASHER	
21	59900102	4	PLASTIC WASHER 10x36/8	
22	59900411	1	WASHER M6X24	
23	31411064	1	WASHER 6,4x12,5	
24	59905151	1	SCREW	
25	59900037	1	NUT COVER	
26a	59905152	1	LH HINGE	
26b	59905153	1	RH HINGE	
27a	59905154	1	LH HINGE	
27b	59905155	1	RH HINGE	
28	59900616	4	RETAINING RING	
29	59900810	2	HINGE PIN	
30	59900600	4	BLACK BLINDING HEAD SCREW	
31	59900601	2	BOSS	
32	59900103	5	RING	

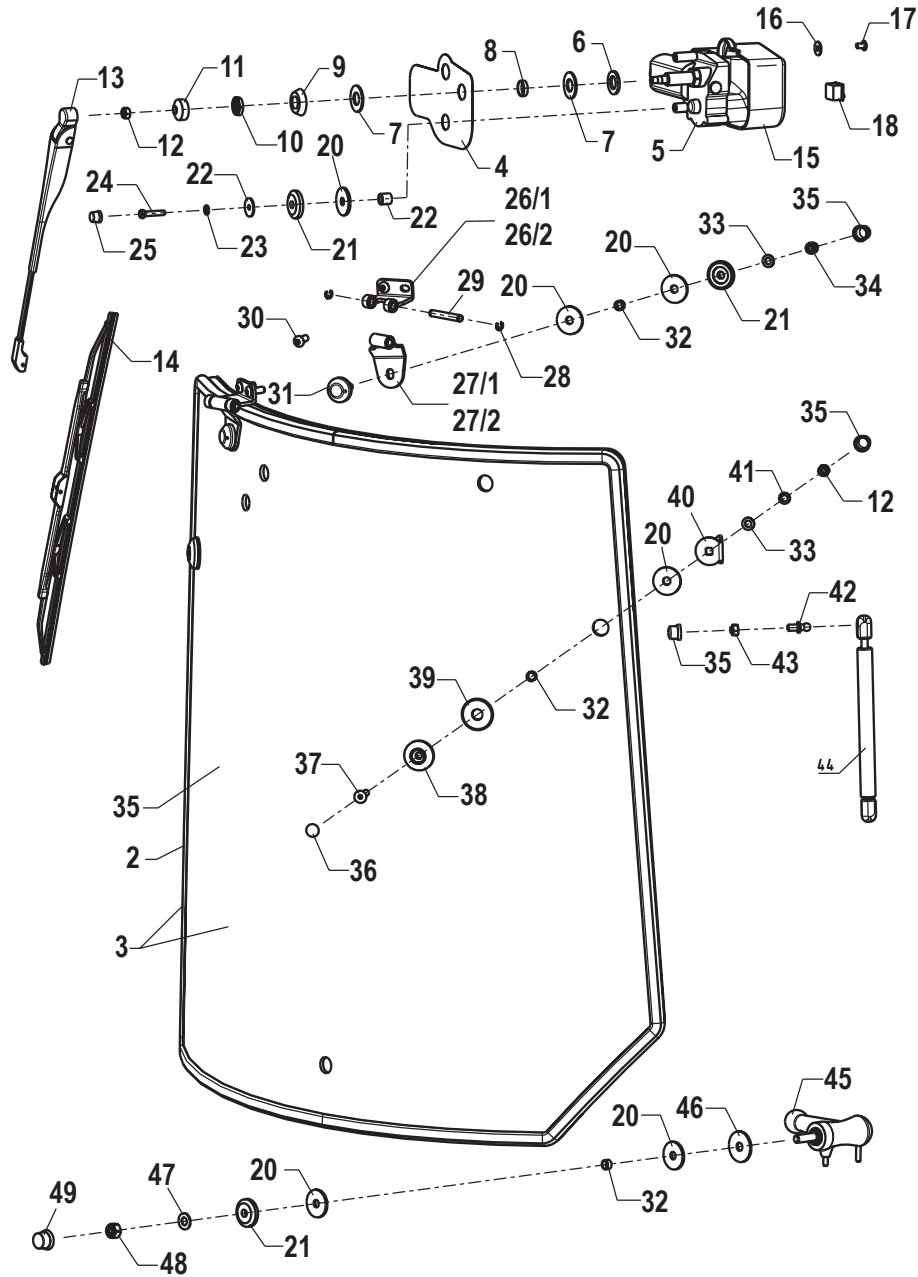
SERIAL

REAR GLASS

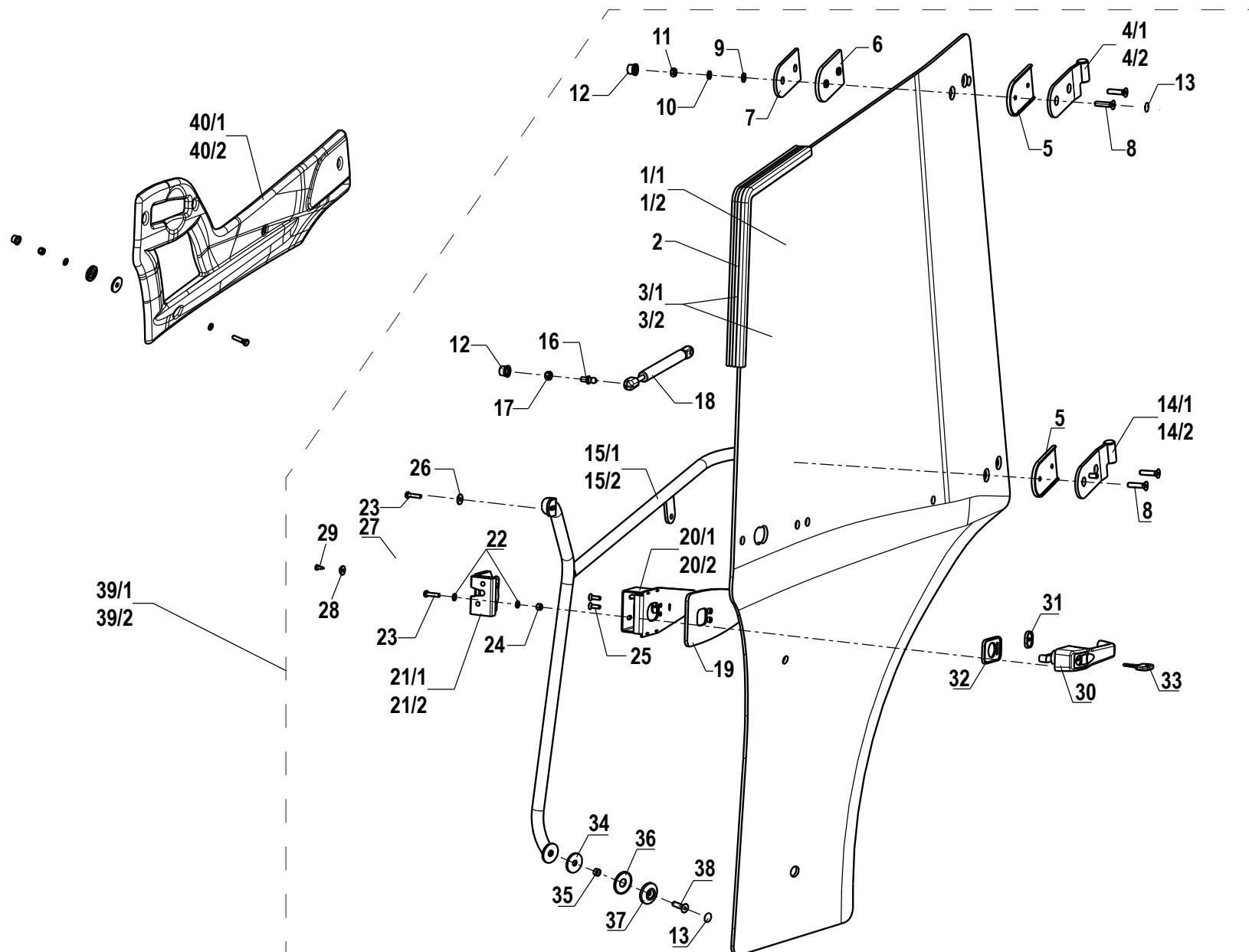
CODE REV

Y.01.03.L20003_0

REAR GLASS



Pos.	Code	Q.ty	Description	Notes
33	31411084	4	WASHER 8,4x17	
34	31241080	2	HEXAGON SELFLOCK NUT M8	
35	59900109	6	NUT COVER	
36	59900604	2	SCREW COVER	
37	59900624	2	SCREW	
38	59900799	2	BOSS	
39	59905043	2	RUBBER WASHER	
40	59900402	2	SUPPORT	
41	59900117	2	WASHER 11,4 M8	
42	59900106	2	JOINT	
43	31241081	2	HEXAGON SELFLOCK NUT	
44	59905156	2	GAS SPRING	
45	59900094	1	HANDLE	
46	59900404	1	WASHER FOR SUPPORTING M10X36	
47	31411105	1	WASHER 10,5x21	
48	31241100	1	SELFLOCK HEXAGON NUT M10	
49	59900108	1	NUT COVER	



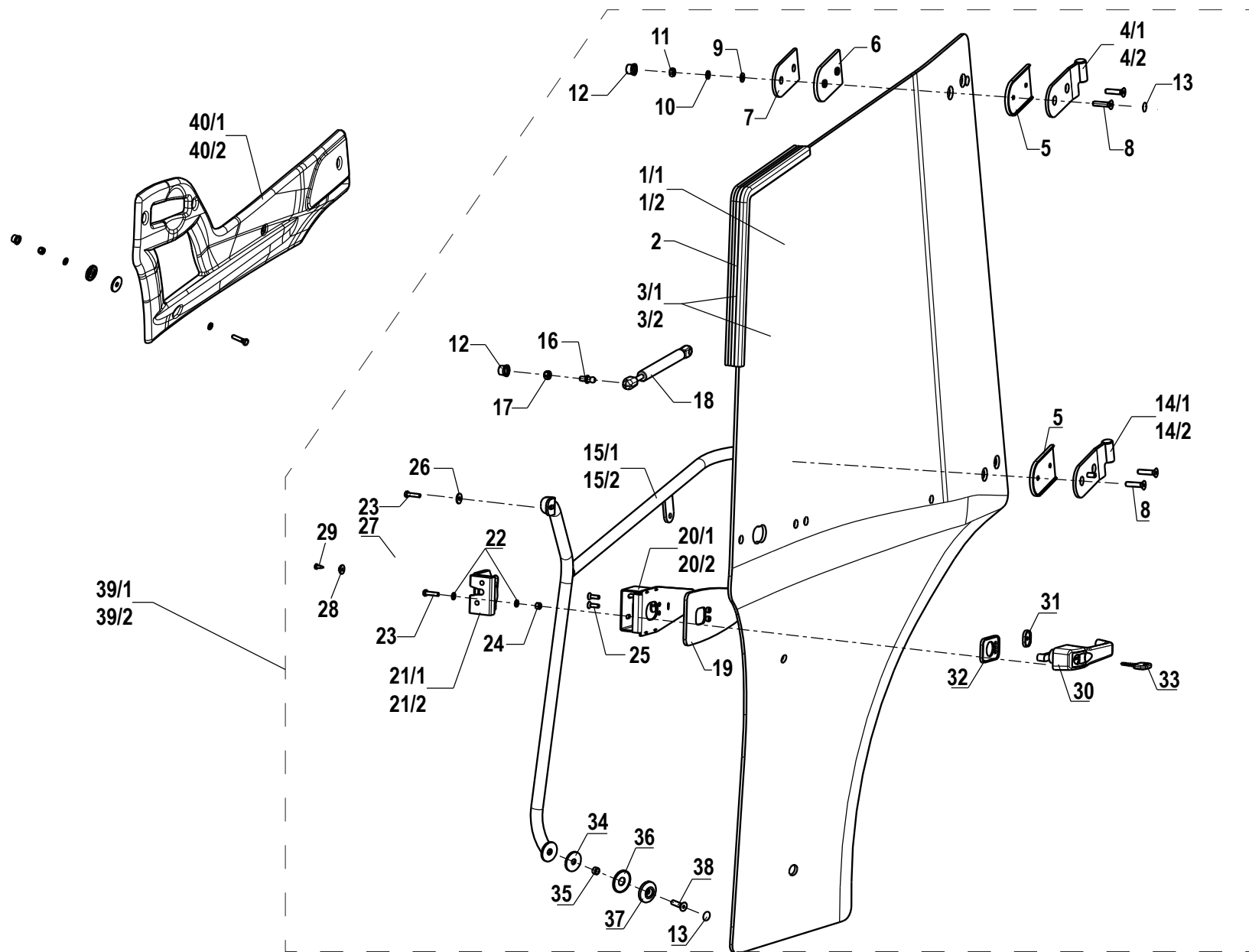
Pos.	Code	Q.ty	Description	Notes
1/1	59905158	1	LH DOORGLASS	
1/2	59905159	1	RH DOORGLASS	
2	59905126	1	GLASS GASKET	
3/1	59905160	1	LH DOORGLASS	
3/2	59905161	1	RH DOORGLASS	
4/2	59900636	1	LH HINGE	
4/1	59900637	1	RH HINGE	
5	59905162	2	SOTTOBASE CERNIERA (628004675)	
6	59905163	2	SOTTOBASE CERNIERA (628004676)	
7	59905042	2	PLATE	
8	59900624	4	SCREW	
9	31411084	4	WASHER 8,4x17	
10	59900117	4	WASHER 11,4 M8	
11	31211060	4	HEXAGONAL NUT M8	
12	59900109	5	NUT COVER	
13	59900604	5	SCREW COVER	
14/2	59900632	1	LH DOOR HINGE	
14/1	59900633	1	RH HINGE	
15/1	59905164	1	DOOR HANDLE	
15/2	59905165	1	DOOR HANDLE	
16	59900106	1	JOINT	
17	31241081	1	HEXAGON SELFLOCK NUT	
18	59900640	1	SPRING	
19	59900641	1	S/BASE GOMMA SERR.T5 628014631	
20/1	59905047	1	SUPPORT	
20/2	59905048	1	SUPPORT	
21/1	59900645	1	LH LOCK SMALL BLOCK	
21/2	59900646	1	RH LOCK SMALL BLOCK	
22	31411064	4	WASHER 6,4x12,5	
23	59900432	3	HEXAGON HEAD SCREW	
24	31241060	2	HEXAGON SELFLOCK NUT M6	
25	59900644	2	SCREW	
26	59900398	1	WASHER M6X18	
27	59900647	1	LOCK COVER	

SERIAL

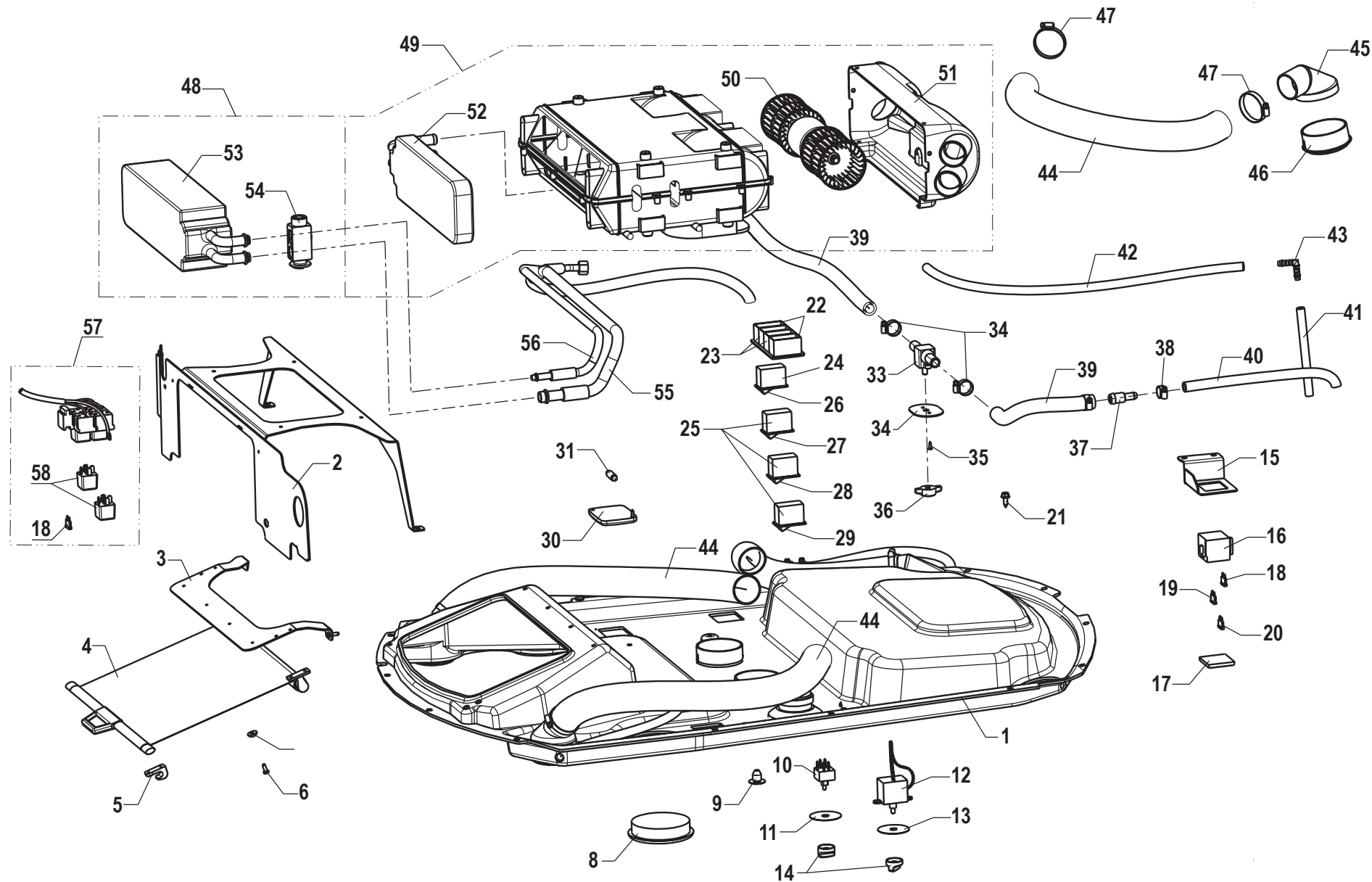
DOOR

CODE REV

Y.01.04.L20003_0



Pos.	Code	Q.ty	Description	Notes
28	59900561	1	WASHER	
29	59900468	1	RIBBED SCREW 4,8X13	
30	59900649	1	DOOR HANDLE	
31	59900650	1	GASKET	
32	59900651	1	GASKET	
33	59900652	1	KEY	
34	59900074	1	WASHER	
35	59900103	1	RING	
36	59905043	1	RUBBER WASHER	
37	59900799	1	BOSS	
38	59905166	1	SCREW	
39/1	59905167	1	CAB DOOR - LEFT	
39/2	59905168	1	CAB DOOR RIGHT	
40/2	573A0580V	1	HOSE CLIP	
40/1	573A0581V	1	HOSE CLIP	



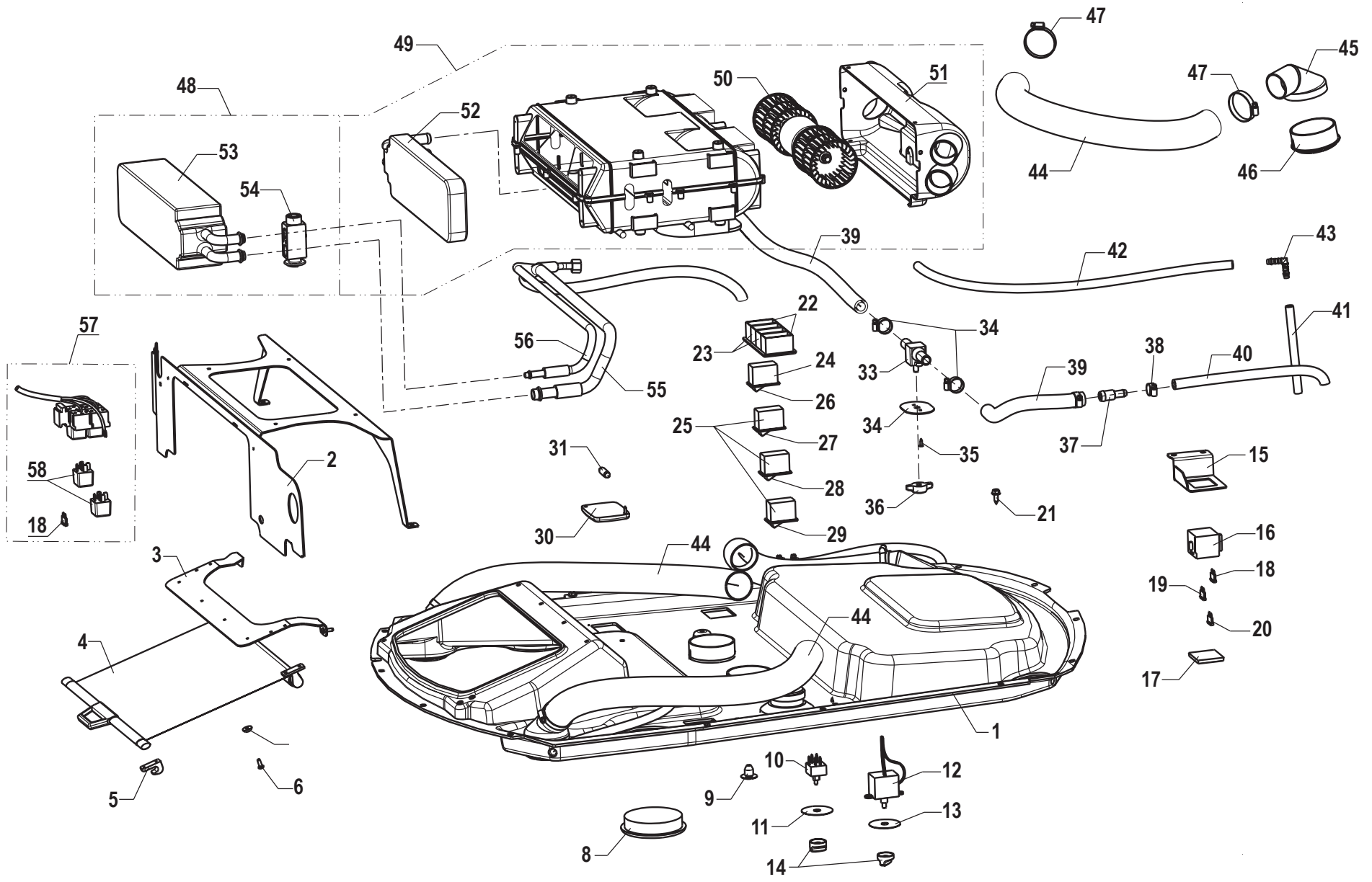
Pos.	Code	Q.ty	Description	Notes
1	59905169	1	LINING	
2	59905170	1	SUPPORT	
3	59905171	1	SUPPORT	
4	59905172	1	ROLL-UP SUN-SHADE	
5	59900697	2	CLEVIS	
6	59905006	10	RIBBED SCREW	
7	59900561	4	WASHER	
8	59900463	2	TONGUE	
9	59900577	1	PLUG	
10	59900449	1	SWITCH	
11	59905173	1	MOSTRINA VENTIL. (624073052)	
12	59905174	1	THERMOSTAT A/C	
13	59905175	1	MOSTRINA A/C (624073053)	
14	59900447	2	KNOB	
15	59905176	1	SUPPORT	
16	59900058	1	FUSE-HOLDER	
17	59900057	1	COVER	
18	59900665	2	FUSE/LOCK	
19	59900666	3	FUSE/LOCK	
20	59900667	2	FUSE/LOCK	
21	59900395	14	RIBBED SCREW 6,5X20	
22	59900051	2	SWITCH SUPPORT	
23	59900052	2	SWITCH SUPPORT	
24	59900054	1	SWITCH	
25	59900053	3	SWITCH	
26	59900669	1	GLASS	
27	59900670	1	GLASS	
28	59900671	1	GLASS	
29	59900672	1	GLASS	
30	59900459	1	PLAFONIERA STANDARD 624763520	
31	59900668	1	LAMP	
32	59905075	6	CLAMP	
33	59900068	1	COCK OR TAP	
34	59900444	1	FRONT GRILLE	

SERIAL

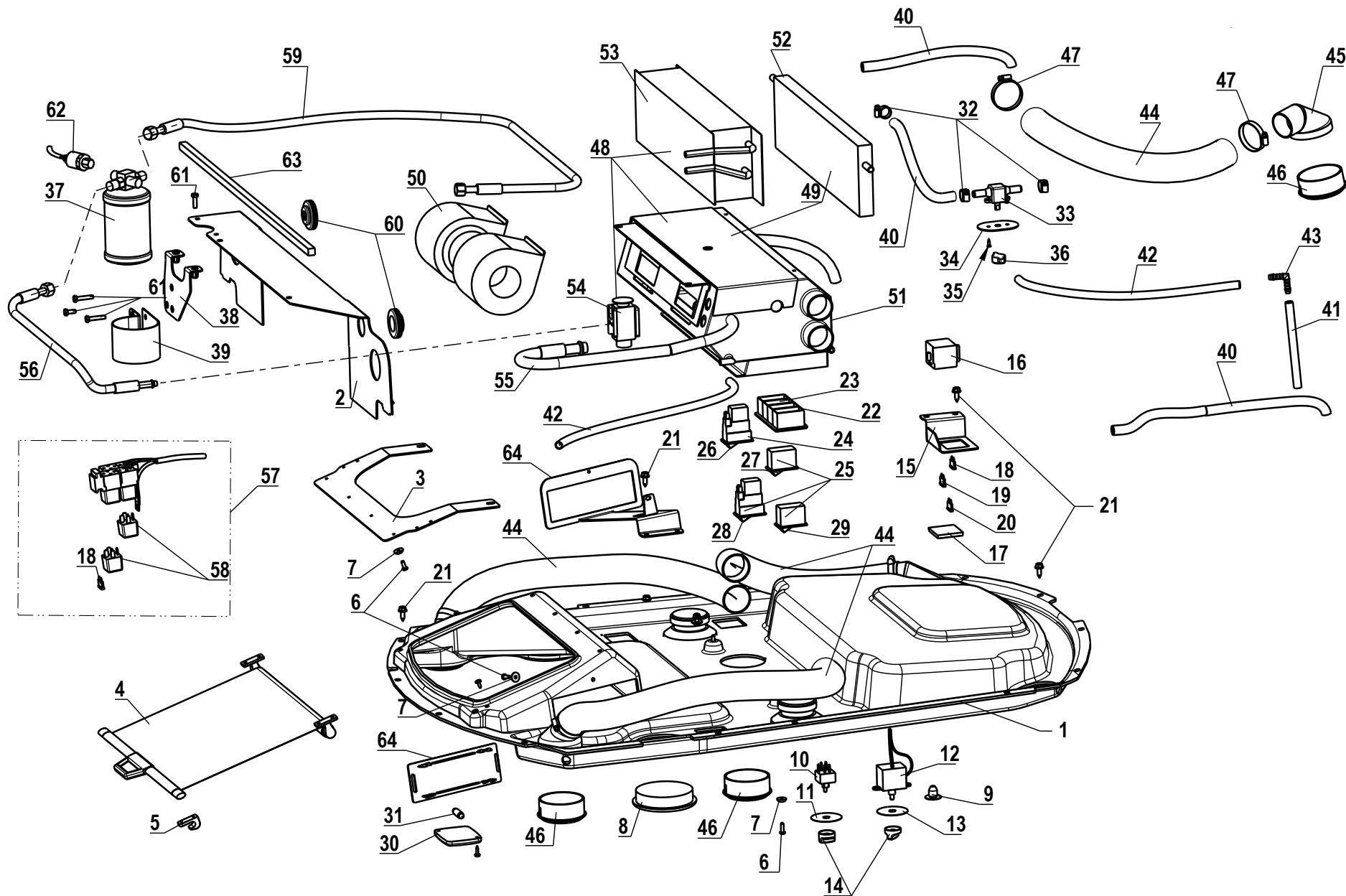
UNDER-ROOF - AIR CONDITIONING - HEATING

CODE REV

Y.01.05.L20003_0



Pos.	Code	Q.ty	Description	Notes
35	59900699	2	SCREW	
36	59900070	1	KNOB	
37	59905074	2	REDUCTION	
38	59900071	2	PIPE CONNECTION	
39	59905177	1	PIPE	
40	59905178	1	PIPE	
41	59905179	1	PIPE	
42	59905180	1	PIPE	
43	59900688	6	ELBOW	
44	59905181	1	PIPE	
45	59900686	4	PIPE FITTING	
46	59905080	4	PIPE UNION	
47	59900455	8	HOSE CLIP	
48	59905182	1	UNIT	
49	59905183	1	UNIT	
50	59905184	1	ELECTRO-FAN	
51	59905185	1	BLOWER	
52	59905186	1	RADIATOR	
53	59905187	1	VAPORIZER	
54	59905068	1	VALVE	
55	59905188	1	PIPE	
56	59905189	1	PIPE	
57	59905190	1	ELECTRICAL SYSTEM	
58	59905088	4	RELAY	



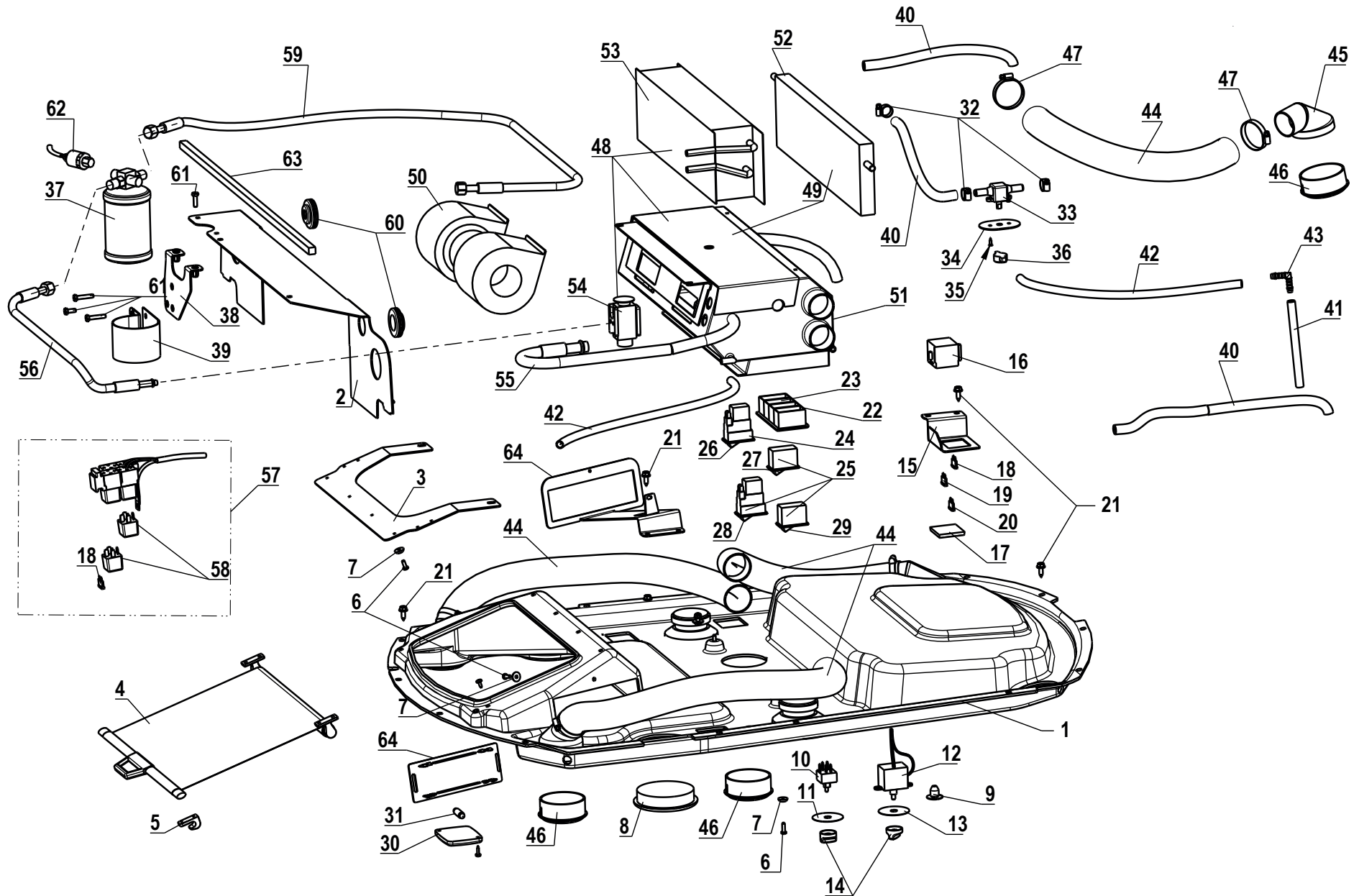
Pos.	Code	Q.ty	Description	Notes
1	59905234	1	LINING	
2	59905235	1	SUPPORT	
3	59905252	1	SUPPORT	
4	59905172	1	ROLL-UP SUN-SHADE	
5	59900697	2	CLEVIS	
6	59905006	10	RIBBED SCREW	
7	59900561	4	WASHER	
8	59900463	2	TONGUE	
9	59900577	1	PLUG	
10	59900449	1	SWITCH	
11	59905173	1	MOSTRINA VENTIL. (624073052)	
12	59905174	1	THERMOSTAT A/C	
13	59905175	1	MOSTRINA A/C (624073053)	
14	59900447	2	KNOB	
15	59905176	1	SUPPORT	
16	59900058	1	FUSE-HOLDER	
17	59900057	1	COVER	
18	59900665	2	FUSE/LOCK	
19	59900666	3	FUSE/LOCK	
20	59900667	2	FUSE/LOCK	
21	59900395	14	RIBBED SCREW 6,5X20	
22	59900051	2	SWITCH SUPPORT	
23	59900052	2	SWITCH SUPPORT	
24	59900054	1	SWITCH	
25	59900053	3	SWITCH	
26	59900669	1	GLASS	
27	59900670	1	GLASS	
28	59900671	1	GLASS	
29	59900672	1	GLASS	
30	59900459	1	PLAFONIERA STANDARD 624763520	
31	59900668	1	LAMP	
32	59905075	6	CLAMP	
33	59900068	1	COCK OR TAP	
34	59905236	1	FRONT GRILLE	

SERIAL

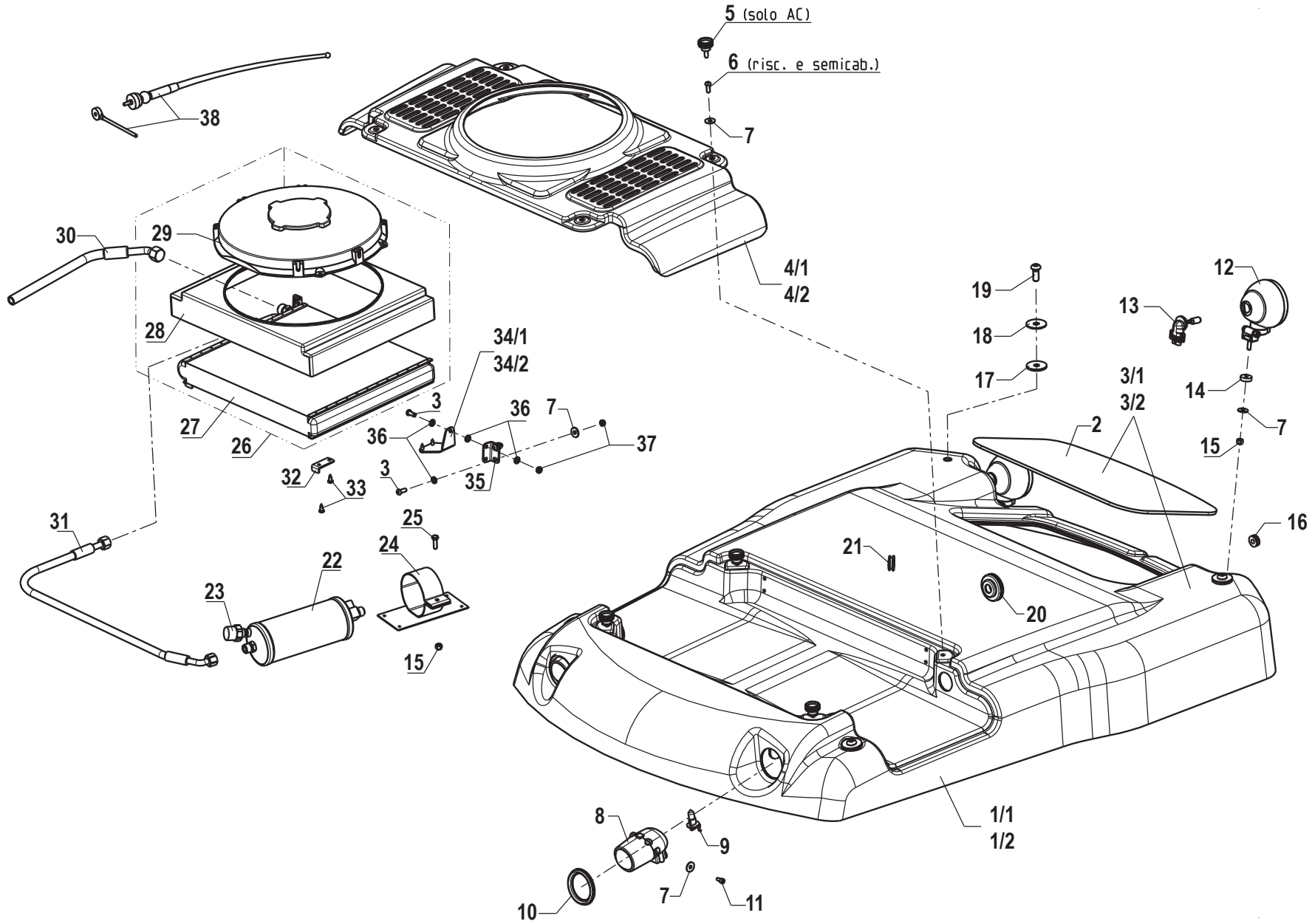
UNDER-ROOF - AIR CONDITIONING - HEATING

CODE REV

Y.01.05.L20003_1



Pos.	Code	Q.ty	Description	Notes
35	59900699	2	SCREW	
36	59900070	1	KNOB	
37	59905237	2	DEHYDRATION FILTER	
38	59905238	1	BRACKET	
39	59905239	1	BRACKET	
40	59905178	1	PIPE	
41	59905179	1	PIPE	
42	59905180	1	PIPE	
43	59900688	6	ELBOW	
44	59905181	1	PIPE	
45	59900686	4	PIPE FITTING	
46	59905080	4	PIPE UNION	
47	59900455	8	HOSE CLIP	
48	59905240	1	GR.VENTILAZ.E A.C.624990111	
49	59905241	1	GR.IMP.VENT.RISC. 624765955	
50	59905242	1	ELECTRO-FAN	
51	59905243	1	BOX	
52	59905244	1	RADIATOR	
53	59905245	1	VAPORIZER	
54	59905246	1	VALVE	
55	59905247	1	PIPE	
56	59905248	1	PIPE	
57	59905190	1	ELECTRICAL SYSTEM	
58	59905088	4	RELAY	
59	59905249	1	PIPE	
60	59900469	2	PLUG	
61	31112093	6	SCREW TE M6X20	
62	59905258	1	PRESSURE SWITCH	
63	59905259	1	GASKET	
64	59905250	1	BRACKET	
65	59905251	1	COVER	



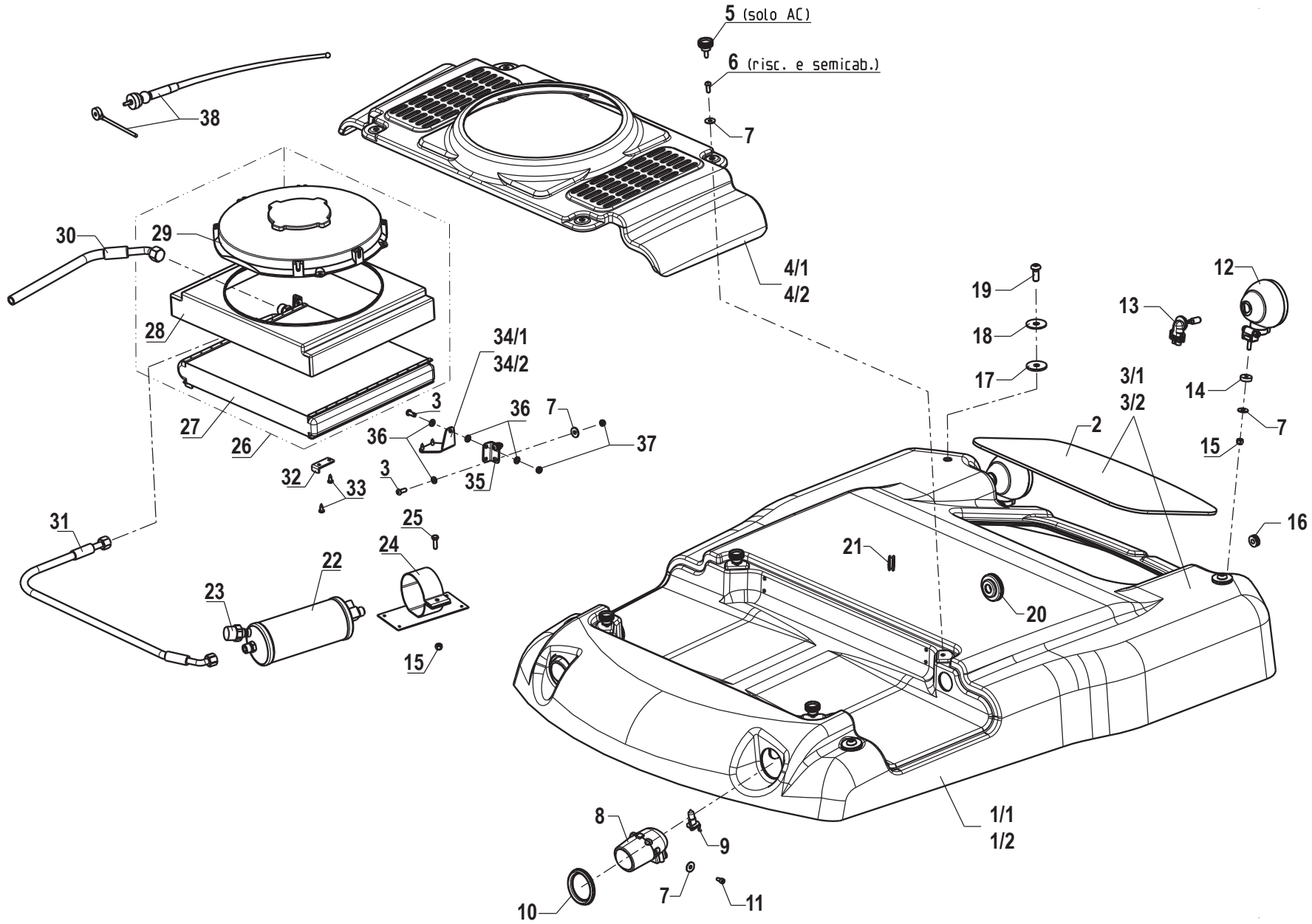
Pos.	Code	Q.ty	Description	Notes
2	59905193	1	GLASS	
3b	59905195	1	ROOF	
3a	59905194	1	ROOF FOR CABIN WITH A/C SYSTEM (706698405)	
4a	59905196	1	COVER	
4b	59905197	1	COVER	
5	59900725	4	GRAINED KNOB	
6	59900750	10	SCREW	
7	59900398	14	WASHER M6X18	
8	59900727	2	HEADLIGHT	
9	59900728	2	LAMP	
10	59905198	2	GASKET	
11	59900730	4	SCREW	
12	59900751	2	WORKING SPOTLIGHT	
13	59900752	1	LAMP	
14	59905199	2	SPACER	
15	31241060	2	HEXAGON SELFLOCK NUT M6	
16	59900075	2	GASKET	
17	59900074	4	WASHER	
18	59900404	4	WASHER FOR SUPPORTING M10X36	
19	59905094	4	SCREW	
1a	59905191	1	ROOF	
1b	59905192	1	ROOF	
20	59900469	2	PLUG	
21	59900576	1	PLUG	
22	59905013	1	FILTER	
23	59905014	1	PRESSURE SWITCH	
24	59905015	1	RETAINER	
25	31112093	1	SCREW TE M6X20	
26	59905009	1	CONDENSER	
27	59905200	1	CONDENSER	
28	59905201	1	DUCT	
29	59905202	1	ELECTRO-FAN	
30	59905203	1	PIPE	
31	59905204	1	PIPE	

SERIAL

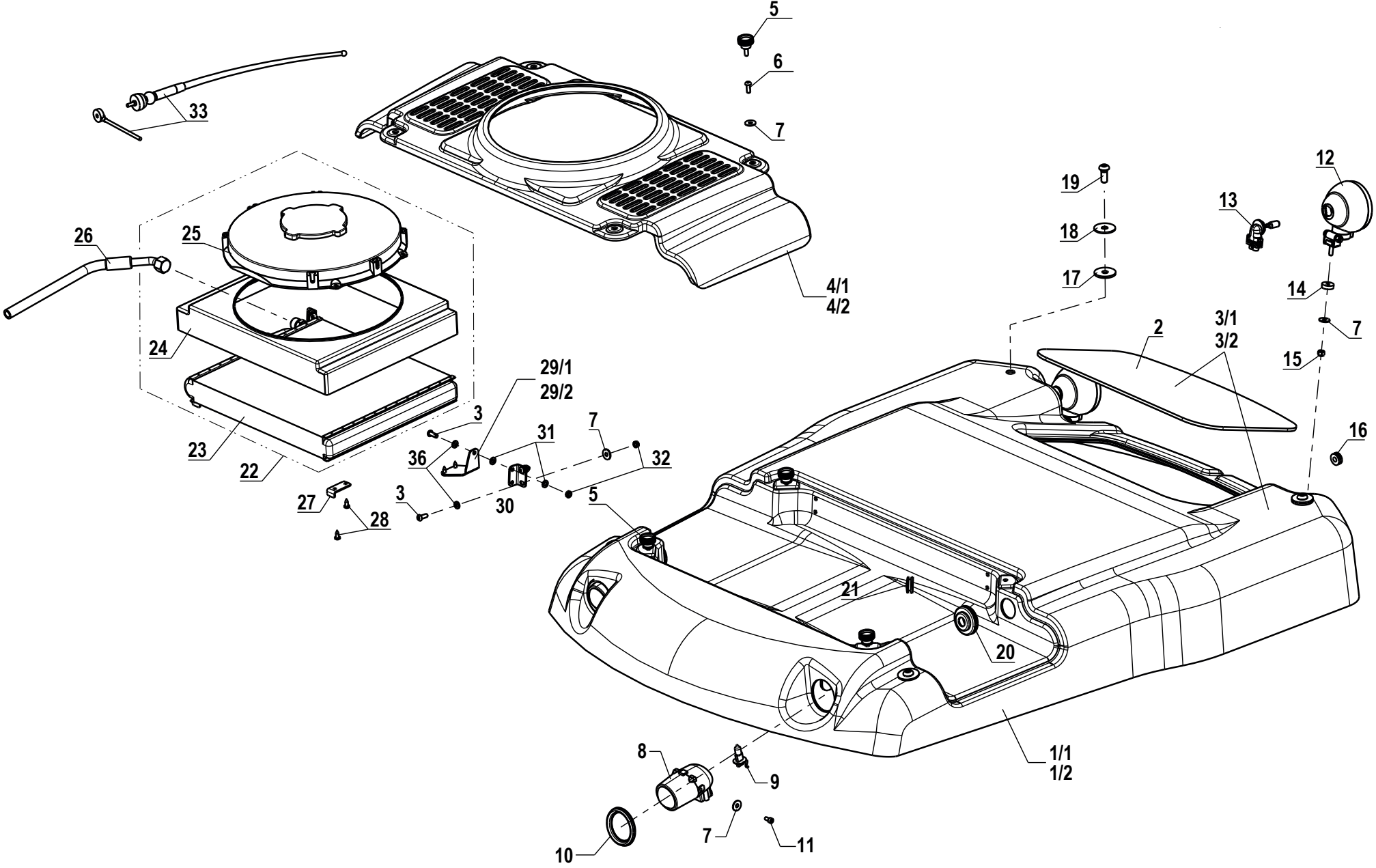
TOP - AIR CONDITIONING - HEATING

CODE REV

Y.01.06.L20003_0



Pos.	Code	Q.ty	Description	Notes
32	59905205	2	SUPPORT	
33	59905006	8	RIBBED SCREW	
34a	59905206	1	LH HINGE	
34b	59905207	1	RH HINGE	
35	59905208	2	FIXING BRACKET	
36	59905142	10	WASHER M6	
37	59905210	6	SELFLOCK NUT M6	
38	59900731	1	AERIAL	



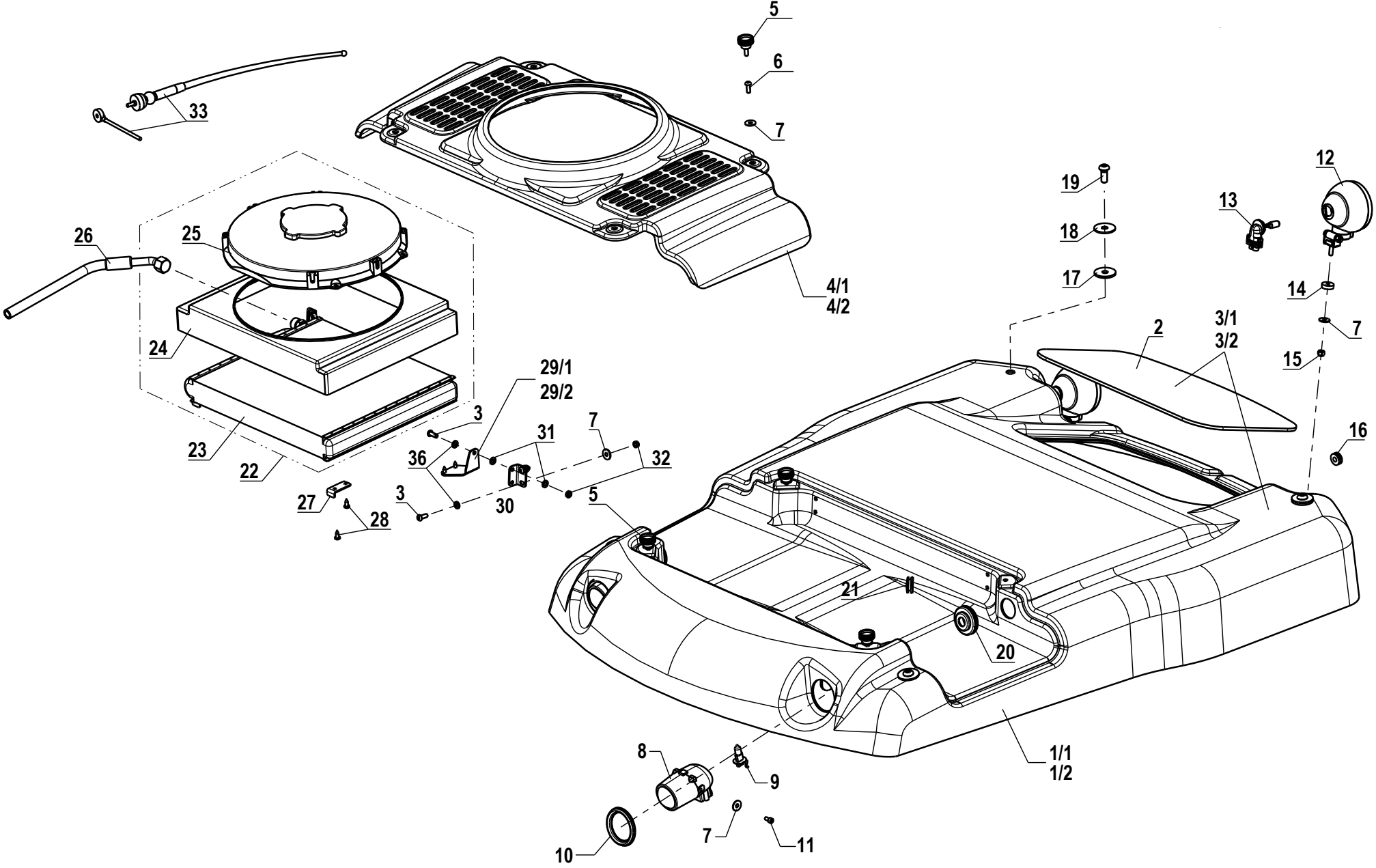
Pos.	Code	Q.ty	Description	Notes
1a	59905191	1	ROOF	
1b	59905192	1	ROOF	
2	59905193	1	GLASS	
3a	59905194	1	ROOF FOR CABIN WITH A/C SYSTEM (706698405)	
3b	59905195	1	ROOF	
4a	59905196	1	COVER	
4b	59905197	1	COVER	
5	59900725	4	GRAINED KNOB	
6	59900750	10	SCREW	
7	59900398	14	WASHER M6X18	
8	59900727	2	HEADLIGHT	
9	59900728	2	LAMP	
10	59905198	2	GASKET	
11	59900730	4	SCREW	
12	59900751	2	WORKING SPOTLIGHT	
13	59900752	1	LAMP	
14	59905199	2	SPACER	
15	31241060	2	HEXAGON SELFLOCK NUT M6	
16	59900075	2	GASKET	
17	59900074	4	WASHER	
18	59900404	4	WASHER FOR SUPPORTING M10X36	
19	59905094	4	SCREW	
20	59900469	2	PLUG	
21	59900576	1	PLUG	
22	59905253	1	CONDENSER	
23	59905254	1	CONDENSER	
24	59905255	1	DUCT	
25	59905256	1	ELECTRO-FAN	
26	59905257	1	PIPE	
27	59905200	1	CONDENSER	
28	59905201	1	DUCT	
29	59905202	1	ELECTRO-FAN	
30	59905203	1	PIPE	
31	59905204	1	PIPE	

SERIAL

TOP - AIR CONDITIONING - HEATING

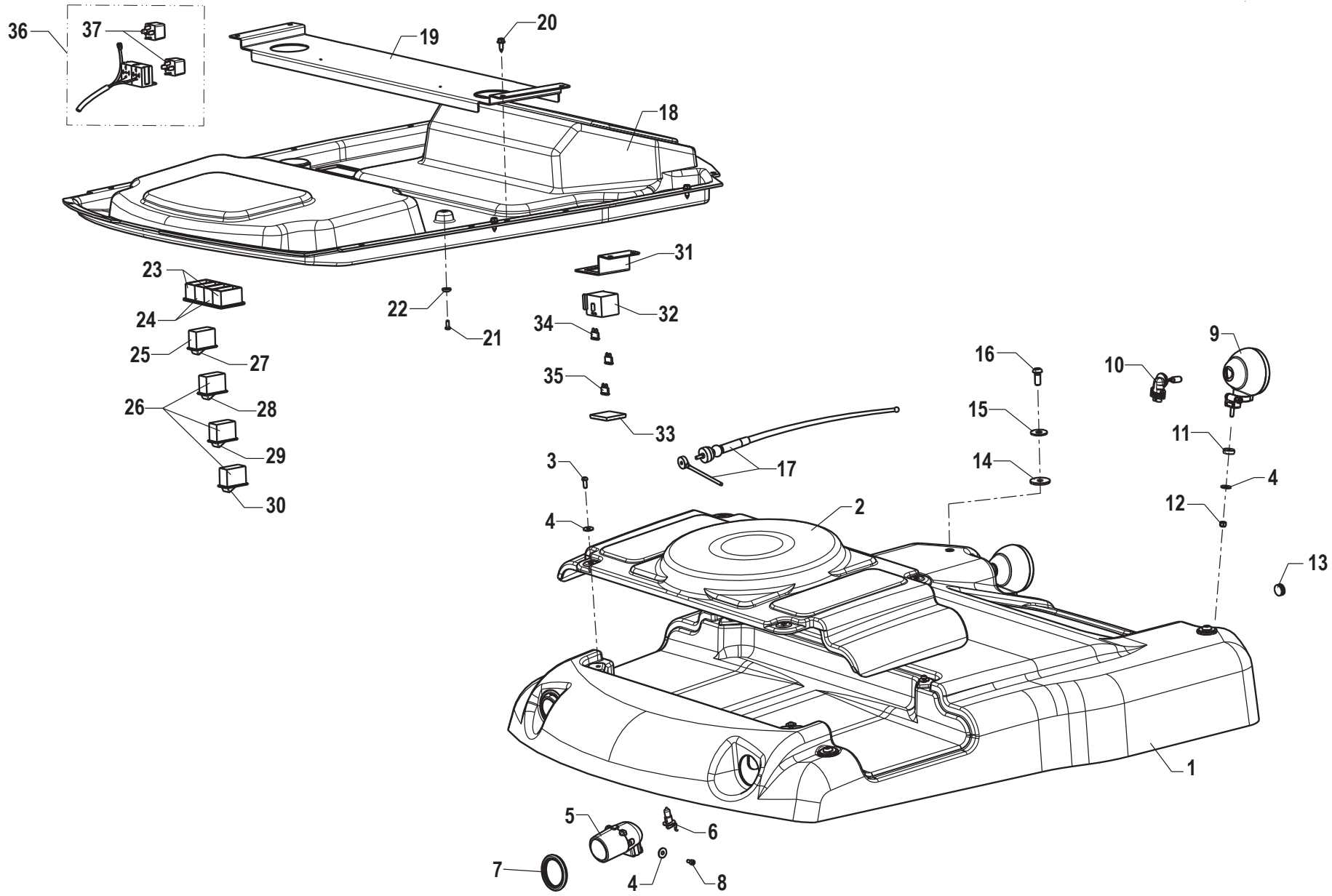
CODE REV

Y.01.06.L20003_1



Pos.	Code	Q.ty	Description	Notes
32	59905205	2	SUPPORT	
33	59905006	8	RIBBED SCREW	
34a	59905206	1	LH HINGE	
34b	59905207	1	RH HINGE	
35	59905208	2	FIXING BRACKET	
36	59905142	10	WASHER M6	
37	59905210	6	SELFLOCK NUT M6	
38	59900731	1	AERIAL	

TOP AND UNDER-ROOF FOR CAB



Pos.	Code	Q.ty	Description	Notes
1	59905211	1	ROOF	
2	59905197	1	COVER	
3	59900750	4	SCREW	
4	59900398	8	WASHER M6X18	
5	59900727	2	HEADLIGHT	
6	59900728	2	LAMP	
7	59905198	2	GASKET	
8	59900730	4	SCREW	
9	59900751	2	WORKING SPOTLIGHT	
10	59900752	1	LAMP	
11	59905199	2	SPACER	
12	31241060	2	HEXAGON SELFLOCK NUT M6	
13	59900075	2	GASKET	
14	59900074	4	WASHER	
15	59900404	4	WASHER FOR SUPPORTING M10X36	
16	59905094	4	SCREW	
17	59900731	1	AERIAL	
18	59905150	1	LINING	
19	59905209	1	CROSS MEMBER	
20	59900395	14	RIBBED SCREW 6,5X20	
21	59905006	2	RIBBED SCREW	
22	59900561	2	WASHER	
23	59900051	2	SWITCH SUPPORT	
24	59900052	2	SWITCH SUPPORT	
25	59900054	1	SWITCH	
26	59900053	3	SWITCH	
27	59900669	1	GLASS	
28	59900670	1	GLASS	
29	59900671	1	GLASS	
30	59900672	1	GLASS	
31	59905176	1	SUPPORT	
32	59900058	1	FUSE-HOLDER	
33	59900057	1	COVER	
34	59900666	3	FUSE/LOCK	

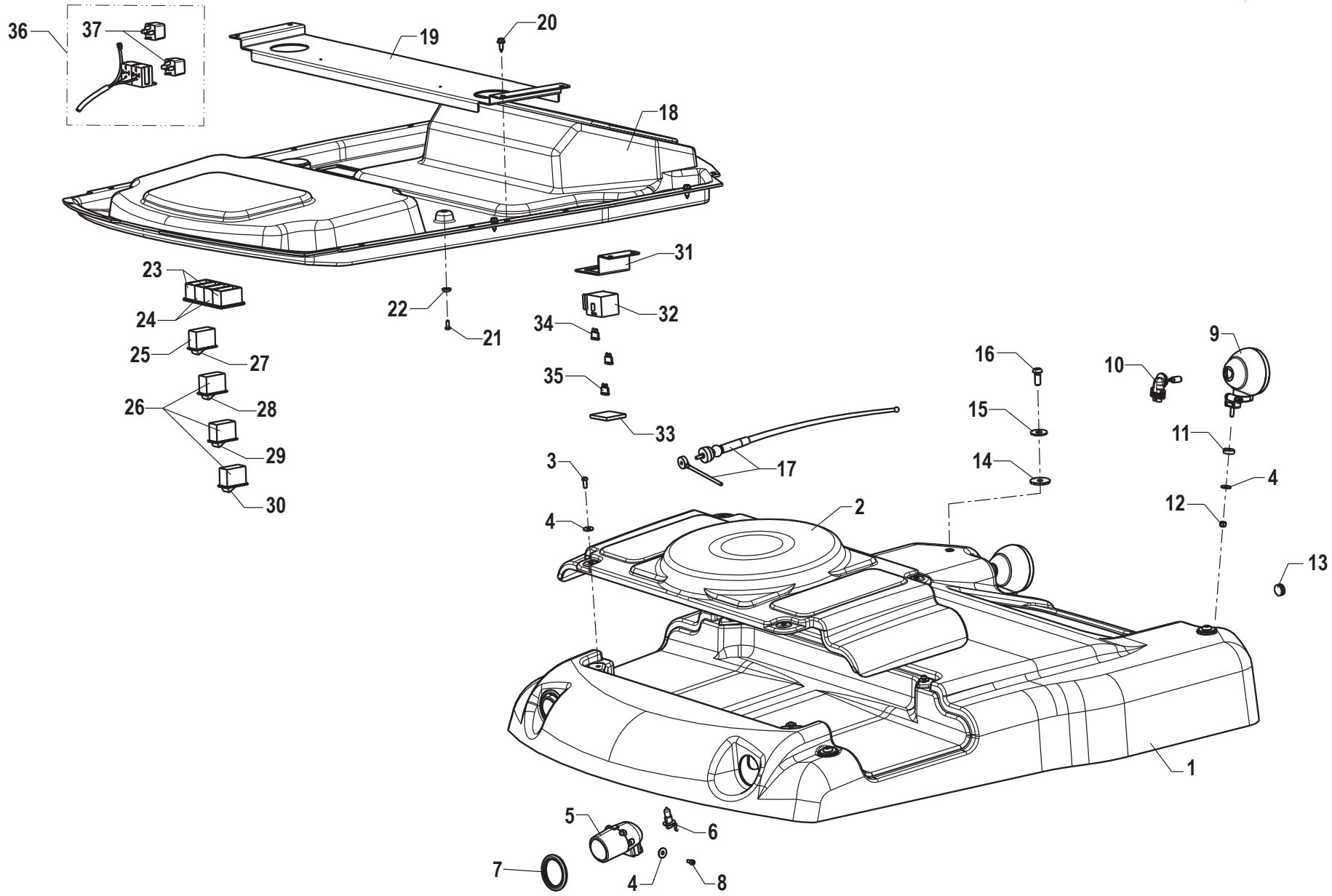
SERIAL

TOP AND UNDER-ROOF FOR CAB

CODE REV

Y.01.07.L20003_0

TOP AND UNDER-ROOF FOR CAB



Pos.	Code	Q.ty	Description	Notes
35	59900667	2	FUSE/LOCK	
36	59905147	1	ELECTRICAL SYSTEM	
37	59905088	2	RELAY	

SPARE PARTS INSTANCE INDEX



SPARE PARTS INSTANCE INDEX

Code	Parts Table	Pos.	Q.ty	Code	Parts Table	Pos.	Q.ty	Code	Parts Table	Pos.	Q.ty
28177274	B.01.01.L40023_0	3	1	30021150	A.03.01.L40023_0	19	3	31111151	L.02.03.L40025_0	17	2
	B.01.02.L40023_0	3	1	30021160	A.03.01.L40023_0	21	1		L.02.04.L40025_0	17	2
	B.01.03.L40023_0	3	1	30021170	A.04.01.L40023_0	10	1		L.02.06.L40025_0	17	2
30000007	C.02.01.L40025_0	10	2	30021180	A.04.01.L40023_0	8	1		L.02.07.L40025_0	17	2
30000197	F.01.02.L40025_0	31	1		A.04.01.L40023_0	11	1		L.02.08.L40025_0	17	2
	L.02.01.L40025_0	46	2	30030016	A.02.01.L40023_0	4	1		M.02.01.L40025_0	2	6
	L.02.02.L40025_0	47	1	31111084	B.08.01.L40025_0	15	4	31111164	B.04.01.L40025_0	40	2
	L.02.02.L40025_0	64	2		B.08.02.L40025_0	15	4	31112082	B.01.01.L40023_0	22	6
	L.02.03.L40025_0	13	2		B.08.03.L40025_0	15	4		B.01.02.L40023_0	22	6
	L.02.03.L40025_0	47	1	31111089	E.04.01.L40023_0	8	2		B.01.03.L40023_0	22	6
	L.02.04.L40025_0	47	1		T.01.02.L40025_0	33	4		B.04.01.L40025_0	28	2
	L.02.04.L40025_0	64	2	31111090	M.02.01.L40025_0	11	2		D.07.01.L40023_0	21	3
	L.02.06.L40025_0	13	2	31111091	B.02.01.L40023_0	5	4		E.04.01.L40023_0	3	8
	L.02.06.L40025_0	47	1		D.02.01.L40023_0	18	8		F.01.02.L40025_0	25	2
	L.02.07.L40025_0	47	1		L.02.08.L40025_0	23	1		L.01.01.L40023_0	25	3
	L.02.07.L40025_0	64	2	31111097	A.01.01.L40023_0	20	2	31112090	A.02.01.L40023_0	19	1
	L.02.08.L40025_0	46	2	31111102	L.02.01.L40025_0	2	2	31112093	A.02.01.L40023_0	22	1
30000200	L.02.01.L40025_0	29	2		L.02.02.L40025_0	2	2		C.02.01.L40025_0	3	4
	L.02.02.L40025_0	29	3		L.02.03.L40025_0	2	2		D.03.01.L40023_0	12	2
	L.02.03.L40025_0	29	3		L.02.04.L40025_0	2	2		D.16.02.L40023_0	28	1
	L.02.04.L40025_0	29	3		L.02.06.L40025_0	2	2		M.02.01.L40025_0	20	2
	L.02.06.L40025_0	29	3		L.02.07.L40025_0	2	2		Y.01.02.L20003_0	17	2
	L.02.07.L40025_0	29	3		L.02.08.L40025_0	2	2		Y.01.05.L20003_1	61	6
	L.02.08.L40025_0	29	2	31111151	A.06.01.L40023_0	7	1		Y.01.06.L20003_0	25	1
30000506	E.03.01.L40023_0	11	1		B.03.01.L40025_0	28	6	31112146	A.05.01.L40023_0	21	2
	E.03.02.L40023_0	11	1		B.03.02.L40025_0	17	6		D.02.01.L40023_0	21	2
30010250	A.03.01.L40023_0	16	1		B.04.01.L40025_0	33	2		D.03.01.L40023_0	15	1
30021116	A.03.01.L40023_0	34	6		B.05.01.L40025_0	16	8		D.05.01.L40025_0	6	1
	A.05.01.L40023_0	17	4		B.05.01.L40025_0	36	2	31112147	D.06.01.L40025_0	27	1
30021125	A.01.01.L40023_0	11	3		F.01.01.L40025_0	12	1	31112148	A.01.01.L40023_0	32	1
	A.03.01.L40023_0	31	2		F.01.02.L40025_0	12	1	31112149	A.04.01.L40023_0	3	1
30021140	A.01.01.L40023_0	10	1		L.01.01.L40023_0	18	2		T.01.02.L40025_0	36	2
30021145	F.01.01.L40025_0	17	4		L.02.01.L40025_0	17	1	31112150	B.01.01.L40023_0	5	2
	F.01.02.L40025_0	17	4		L.02.02.L40025_0	17	2		B.01.02.L40023_0	5	2



SPARE PARTS INSTANCE INDEX

Code	Parts Table	Pos.	Q.ty	Code	Parts Table	Pos.	Q.ty	Code	Parts Table	Pos.	Q.ty
31112150	B.01.03.L40023_0	5	2	31112208	L.02.01.L40025_0	11	2	31112272	B.03.01.L40025_0	3	8
	B.02.01.L40023_0	19	2		L.02.02.L40025_0	11	4		B.03.02.L40025_0	3	8
	B.03.02.L40025_0	6	4		L.02.03.L40025_0	11	4	31112328	B.01.01.L40023_0	30	2
	B.04.01.L40025_0	10	4		L.02.04.L40025_0	11	4		B.01.02.L40023_0	30	2
	C.02.01.L40025_0	25	6		L.02.06.L40025_0	11	4		B.01.03.L40023_0	30	2
	D.02.01.L40023_0	32	2		L.02.07.L40025_0	11	4	31121006	B.03.01.L40025_0	19	6
	D.06.01.L40025_0	13	2		L.02.08.L40025_0	11	2		B.04.01.L40025_0	23	8
	D.16.01.L40023_0	2	3	31112210	A.01.01.L40023_0	29	3		B.09.01.L40025_0	6	2
	D.16.02.L40023_0	2	3		A.03.01.L40023_0	10	2		B.09.02.L40025_0	6	2
	L.02.01.L40025_0	4	2		A.05.01.L40023_0	15	2	31121014	B.09.01.L40025_0	5	2
	L.02.02.L40025_0	4	2		B.05.01.L40025_0	21	2		B.09.02.L40025_0	5	2
	L.02.03.L40025_0	4	2		L.02.08.L40025_0	21	2	31132440	B.09.01.L40025_0	3	1
	L.02.04.L40025_0	4	2		T.01.02.L40025_0	4	2		B.09.02.L40025_0	3	1
	L.02.06.L40025_0	4	2	31112211	L.01.01.L40023_0	5	4		D.06.01.L40025_0	15	2
	L.02.07.L40025_0	4	2		T.01.02.L40025_0	12	6		D.06.01.L40025_0	31	1
	L.02.08.L40025_0	4	2	31112212	A.01.01.L40023_0	3	2	31132562	A.02.01.L40023_0	17	2
	M.02.01.L40025_0	4	2		L.01.01.L40023_0	6	4		C.02.01.L40025_0	4	4
31112151	A.01.01.L40023_0	18	4	31112216	B.05.01.L40025_0	8	2		D.16.01.L40023_0	24	1
	A.03.01.L40023_0	13	1	31112219	B.04.01.L40025_0	12	4		D.16.02.L40023_0	24	1
	B.01.01.L40023_0	8	1		B.08.01.L40025_0	6	4		T.01.02.L40025_0	21	4
	B.01.02.L40023_0	8	1		B.08.02.L40025_0	6	4	31132565	A.02.01.L40023_0	2	2
	B.01.03.L40023_0	8	1		B.08.03.L40025_0	6	4		B.09.01.L40025_0	2	2
31112152	A.01.01.L40023_0	13	1		C.03.01.L40025_0	10	4		B.09.02.L40025_0	2	2
31112154	L.01.01.L40023_0	8	1		D.05.01.L40025_0	19	4	31133590	D.06.01.L40025_0	16	1
31112161	D.13.01.L40023_0	15	2		L.02.01.L40025_0	21	2	31152061	E.03.02.L40023_0	17	2
31112174	A.01.01.L40023_0	16	1		L.02.02.L40025_0	21	2	31152065	F.01.01.L40025_0	7	2
31112178	L.02.02.L40025_0	50	3		L.02.03.L40025_0	21	2		F.01.02.L40025_0	7	2
	L.02.03.L40025_0	50	3		L.02.04.L40025_0	21	2	31152083	F.01.01.L40025_0	2	4
	L.02.04.L40025_0	50	3		L.02.06.L40025_0	21	2		F.01.02.L40025_0	2	4
	L.02.06.L40025_0	50	3		L.02.07.L40025_0	21	2	31152085	D.13.01.L40023_0	14	2
	L.02.07.L40025_0	50	3	31112224	A.05.01.L40023_0	12	2	31152088	B.02.01.L40023_0	36	2
31112208	A.06.01.L40023_0	2	1	31112264	B.05.01.L40025_0	2	4	31152098	B.05.01.L40025_0	20	2
	B.04.01.L40025_0	37	2		C.01.01.L40025_0	6	14	31200501	A.04.01.L40023_0	6	1
	D.06.01.L40025_0	35	1		C.01.02.L40025_0	6	14	31211040	B.08.01.L40025_0	17	4



SPARE PARTS INSTANCE INDEX

Code	Parts Table	Pos.	Q.ty	Code	Parts Table	Pos.	Q.ty	Code	Parts Table	Pos.	Q.ty
31211040	B.08.02.L40025_0	17	4	31231080	M.02.01.L40025_0	26	4	31411064	B.01.03.L40023_0	24	4
	B.08.03.L40025_0	17	4	31231090	D.06.01.L40025_0	9	1		B.02.01.L40023_0	10	6
31211050	E.03.01.L40023_0	6	3	31231120	D.04.01.L40025_0	13	4		B.03.01.L40025_0	16	8
	E.03.02.L40023_0	6	3		D.05.01.L40025_0	15	2		B.03.02.L40025_0	15	8
	E.04.01.L40023_0	11	2	31231141	D.06.01.L40025_0	33	2		B.04.01.L40025_0	18	8
31211060	A.01.01.L40023_0	23	2	31241060	Y.01.01.L20003_0	54	1		B.09.01.L40025_0	7	2
	A.02.01.L40023_0	23	1		Y.01.04.L20003_0	24	2		B.09.02.L40025_0	7	2
	A.03.01.L40023_0	5	2		Y.01.06.L20003_0	15	2		D.06.01.L40025_0	22	1
	B.04.01.L40025_0	24	4		Y.01.06.L20003_1	15	2		E.04.01.L40023_0	4	4
	B.05.01.L40025_0	24	8		Y.01.07.L20003_0	12	2		F.01.02.L40025_0	24	4
	E.03.02.L40023_0	14	1	31241080	B.01.01.L40023_0	11	1		Y.01.02.L20003_0	16	1
	Y.01.02.L20003_0	24	3		B.01.02.L40023_0	11	1		Y.01.03.L20003_0	23	1
	Y.01.03.L20003_0	12	3		B.01.03.L40023_0	11	1		Y.01.04.L20003_0	22	4
	Y.01.04.L20003_0	11	4		Y.01.01.L20003_0	44	1	31411066	A.03.01.L40023_0	7	6
31211080	A.01.01.L40023_0	15	4		Y.01.02.L20003_0	11	4		B.03.01.L40025_0	21	12
	A.02.01.L40023_0	20	1		Y.01.03.L20003_0	34	2		B.05.01.L40025_0	26	8
	A.03.01.L40023_0	14	1	31241081	B.01.01.L40023_0	19	1	31411084	B.01.01.L40023_0	6	3
	A.05.01.L40023_0	8	6		B.01.02.L40023_0	19	1		B.01.01.L40023_0	20	1
	B.02.01.L40023_0	20	4		B.01.03.L40023_0	19	1		B.01.02.L40023_0	6	3
	B.03.01.L40025_0	31	6		B.02.01.L40023_0	3	3		B.01.02.L40023_0	20	1
	B.03.02.L40025_0	19	6		Y.01.03.L20003_0	43	2		B.01.03.L40023_0	6	3
	B.04.01.L40025_0	9	4		Y.01.04.L20003_0	17	1		B.01.03.L40023_0	20	1
	B.05.01.L40025_0	18	6	31241100	Y.01.01.L20003_0	33	1		B.02.01.L40023_0	22	5
	C.02.01.L40025_0	32	1		Y.01.03.L20003_0	48	1		B.03.01.L40025_0	29	6
	D.01.01.L40025_0	2	1	31241101	A.02.01.L40023_0	6	1		B.03.02.L40025_0	18	6
	D.14.01.L40023_0	34	6	31312087	D.14.01.L40023_0	33	6		B.04.01.L40025_0	11	4
	D.14.02.L40023_0	23	6		D.14.02.L40023_0	33	6		B.05.01.L40025_0	19	6
31211100	B.05.01.L40025_0	10	2	31400300	D.06.01.L40025_0	24	1		B.09.01.L40025_0	10	2
	D.02.01.L40023_0	29	1	31400302	D.06.01.L40025_0	26	1		B.09.02.L40025_0	10	2
31212100	B.05.01.L40025_0	38	2	31411053	E.04.01.L40023_0	9	2		D.14.01.L40023_0	23	2
31231080	A.02.01.L40023_0	11	2	31411064	A.01.01.L40023_0	21	2		Y.01.03.L20003_0	33	4
	B.01.01.L40023_0	15	1		A.02.01.L40023_0	30	1		Y.01.04.L20003_0	9	4
	B.01.02.L40023_0	15	1		B.01.01.L40023_0	24	4	31411090	A.01.01.L40023_0	31	1
	B.01.03.L40023_0	15	1		B.01.02.L40023_0	24	4		B.01.01.L40023_0	10	1

SPARE PARTS INSTANCE INDEX

Code	Parts Table	Pos.	Q.ty	Code	Parts Table	Pos.	Q.ty	Code	Parts Table	Pos.	Q.ty
31411090	B.01.02.L40023_0	10	1	34211054	D.16.02.L40023_0	8	2	37321317	D.14.01.L40023_0	14	2
	B.01.03.L40023_0	10	1	34213020	M.02.01.L40025_0	18	1		D.14.02.L40023_0	14	2
	B.04.01.L40025_0	7	4	34213054	D.16.01.L40023_0	21	2	37931413	D.14.01.L40023_0	16	1
	Y.01.02.L20003_0	10	4		D.16.02.L40023_0	21	2		D.14.02.L40023_0	16	1
31411104	B.05.01.L40025_0	9	2	34240085	T.01.02.L40025_0	19	2	38110992	F.04.01.L40023_0	10	2
	M.02.01.L40025_0	22	4		T.01.02.L40025_0	40	2	38112200	D.16.01.L40023_0	5	1
31411105	D.06.01.L40025_0	11	1	35111042	D.11.01.L40025_0	2	2		D.16.02.L40023_0	5	1
	T.01.02.L40025_0	30	2	35111047	A.01.01.L40023_0	27	1		F.01.01.L40025_0	6	1
	Y.01.01.L20003_0	31	2	35111052	C.02.01.L40025_0	34	2		F.01.02.L40025_0	6	1
	Y.01.03.L20003_0	47	1	35111063	D.01.01.L40025_0	11	2	38112670	D.01.01.L40025_0	6	1
31411130	D.04.01.L40025_0	11	2	35121018	D.06.01.L40025_0	25	1	38112982	F.04.01.L40023_0	2	1
	D.05.01.L40025_0	18	2	35121022	D.02.01.L40023_0	1	1	38113142	F.01.01.L40025_0	15	1
31411150	B.01.01.L40023_0	32	2	35121025	C.02.01.L40025_0	29	2		F.01.02.L40025_0	15	1
	B.01.02.L40023_0	32	2	35121030	D.07.01.L40023_0	11	1	38116317	D.15.01.L40023_0	3	1
	B.01.03.L40023_0	32	2		D.14.01.L40023_0	2	1	38118720	D.15.01.L40023_0	29	1
31411170	D.16.01.L40023_0	16	1		D.14.02.L40023_0	2	1	38211601	D.16.01.L40023_0	15	2
	D.16.02.L40023_0	16	1	35121040	D.02.01.L40023_0	3	1		D.16.02.L40023_0	15	2
31411210	D.02.01.L40023_0	28	1		D.14.01.L40023_0	3	1	38212006	D.11.01.L40025_0	1	1
31411212	T.01.02.L40025_0	7	2		D.14.02.L40023_0	3	1	38212503	D.02.01.L40023_0	23	1
31413042	B.02.01.L40023_0	15	4	35131026	D.03.01.L40023_0	19	1	39118070	W.01.10.L40023_0	5	4
31414400	L.01.01.L40023_0	12	2		D.05.01.L40025_0	12	1	39118520	W.01.05.L40023_0	5	4
31421083	A.01.01.L40023_0	14	1		D.09.01.L40023_0	1	1	39121800	W.01.04.L40023_0	5	4
	C.02.01.L40025_0	26	6		L.01.01.L40023_0	20	2	41X70002	A.01.01.L40023_0	1	1
31450060	D.07.01.L40023_0	22	3	35211060	B.02.01.L40023_0	30	1	50974166	D.07.01.L40023_0	17	1
	L.01.01.L40023_0	26	3	37111400	D.02.01.L40023_0	5	2	51171603	C.03.01.L40025_0	5	1
31480191	C.03.01.L40025_0	2	1	37111460	D.02.01.L40023_0	19	1	51171604	C.03.01.L40025_0	6	1
31510090	B.02.01.L40023_0	14	4	37111461	D.15.01.L40023_0	22	1	51171621	D.10.01.L40023_0	26	1
31510096	B.08.01.L40025_0	10	8	37112175	A.01.01.L40023_0	26	1	51172508	D.12.01.L40023_0	3	2
	B.08.02.L40025_0	10	8	37112249	C.02.01.L40025_0	33	1	51172563	W.01.01.L40023_0	7	1
	B.08.03.L40025_0	10	8	37112503	D.15.01.L40023_0	4	1		W.01.02.L40023_0	7	1
34110021	D.06.01.L40025_0	23	1	37120000	D.08.01.L40023_0	2	1		W.01.04.L40023_0	7	1
34110030	M.02.01.L40025_0	23	1		D.09.01.L40023_0	14	1		W.01.05.L40023_0	7	1
	T.01.02.L40025_0	9	2	37120100	D.09.01.L40023_0	2	1		W.01.06.L40023_0	7	1
34211054	D.16.01.L40023_0	8	2	37221300	D.01.01.L40025_0	10	2		W.01.07.L40023_0	7	1

SPARE PARTS INSTANCE INDEX

Code	Parts Table	Pos.	Q.ty	Code	Parts Table	Pos.	Q.ty	Code	Parts Table	Pos.	Q.ty
51172563	W.01.08.L40023_0	7	1	52275923	D.10.01.L40023_0	12	1	52474190	D.14.02.L40023_0	1	1
	W.01.09.L40023_0	7	1		D.10.02.L40023_0	12	1	52474239	D.09.01.L40023_0	3	0.1
	W.01.10.L40023_0	7	1	52275924	D.10.01.L40023_0	14	1	52477986	D.09.01.L40023_0	6	1
	W.01.11.L40023_0	7	1		D.10.02.L40023_0	14	1	52477987	D.09.01.L40023_0	3	0.6
51179547	L.01.01.L40023_0	1	1	522A1185	D.02.01.L40023_0	24	1	52479152	D.09.01.L40023_0	15	1
51179812	C.02.01.L40025_0	9	1	52371679	D.16.01.L40023_0	4	1	52479153	D.09.01.L40023_0	7	1
511A0935	C.03.01.L40025_0	1	1		D.16.02.L40023_0	4	1	52479154	D.07.01.L40023_0	6	1
511A1146	B.01.01.L40023_0	1	1	52371733	D.02.01.L40023_0	26	1	52479155	D.07.01.L40023_0	9	1
	B.01.02.L40023_0	1	1	52372292	D.15.01.L40023_0	16	1	52479156	D.07.01.L40023_0	13	1
	B.01.03.L40023_0	1	1	52373177	D.05.01.L40025_0	14	2	52479157	D.08.01.L40023_0	25	1
511A2265	C.01.01.L40025_0	1	1	52373240	D.10.01.L40023_0	13	1	52479158	D.07.01.L40023_0	16	1
	C.01.02.L40025_0	1	1		D.10.02.L40023_0	13	1	52479160	D.08.01.L40023_0	23	1
511A2298	D.10.02.L40023_0	26	1	52378576	D.13.01.L40023_0	1	1	52479161	D.09.01.L40023_0	13	1
511A2955	C.02.01.L40025_0	1	1	523A0166	C.02.01.L40025_0	21	2	52479164	D.08.01.L40023_0	12	1
51271615	D.13.01.L40023_0	9	1	52471459	D.08.01.L40023_0	20	1	52479165	D.09.01.L40023_0	9	1
51271647	D.13.01.L40023_0	8	1	52471509	D.01.01.L40025_0	19	2	52479220	D.14.01.L40023_0	6	1
51272405	D.10.01.L40023_0	15	1		D.11.01.L40025_0	8	2		D.14.02.L40023_0	6	1
	D.10.02.L40023_0	15	1	52471513	D.01.01.L40025_0	15	1	52479222	D.14.01.L40023_0	13	1
51279318	D.10.01.L40023_0	16	1		D.11.01.L40025_0	6	1		D.14.02.L40023_0	13	1
	D.10.02.L40023_0	16	1	52471516	D.01.01.L40025_0	16	1	52479223	D.14.01.L40023_0	11	1
512A0109	C.03.01.L40025_0	7	1		D.11.01.L40025_0	7	1		D.14.02.L40023_0	11	1
512A0110	C.03.01.L40025_0	8	1	52472430	D.16.01.L40023_0	6	1	52479225	D.14.01.L40023_0	10	1
512A0909	C.01.01.L40025_0	2	1		D.16.02.L40023_0	6	1		D.14.02.L40023_0	10	1
	C.01.02.L40025_0	2	1	52473721	D.08.01.L40023_0	19	1	52479233	D.14.01.L40023_0	17	1
512A0910	C.01.01.L40025_0	3	1	52473789	D.08.01.L40023_0	6	0.33		D.14.02.L40023_0	17	1
	C.01.02.L40025_0	3	1	52473791	D.09.01.L40023_0	3	0.2	52479236	D.15.01.L40023_0	24	1
51374866	D.01.01.L40025_0	20	1	52473796	D.08.01.L40023_0	17	1	52479238	D.15.01.L40023_0	26	1
	D.11.01.L40025_0	11	1	52473812	D.08.01.L40023_0	6	0.34	52479321	D.16.01.L40023_0	22	2
52071702	D.02.01.L40023_0	17	4	52473813	D.08.01.L40023_0	6	0.33		D.16.02.L40023_0	22	2
52172158	C.02.01.L40025_0	23	0.3	52473815	D.09.01.L40023_0	3	0.1	524A1233	D.02.01.L40023_0	13	1
52172159	C.02.01.L40025_0	23	0.3	52473920	D.12.01.L40023_0	4	2	524A2293	D.15.01.L40023_0	19	1
52172160	C.02.01.L40025_0	23	0.3	52473921	D.12.01.L40023_0	12	6	524A2294	D.14.01.L40023_0	18	1
52172161	C.02.01.L40025_0	23	0.3	52473922	D.01.01.L40025_0	24	2		D.14.02.L40023_0	18	1
52172162	C.02.01.L40025_0	23	0.3	52474190	D.14.01.L40023_0	1	1	524A2295	D.15.01.L40023_0	20	1



SPARE PARTS INSTANCE INDEX

Code	Parts Table	Pos.	Q.ty	Code	Parts Table	Pos.	Q.ty	Code	Parts Table	Pos.	Q.ty
524A2296	D.14.01.L40023_0	21	1	55279823	B.08.02.L40025_0	12	1	56171787	D.05.01.L40025_0	13	2
	D.14.02.L40023_0	21	1	55279866	B.02.01.L40023_0	12	1	56171996	A.01.01.L40023_0	36	1
524A2302	D.08.01.L40023_0	15	1	55279867	B.02.01.L40023_0	13	1		B.04.01.L40025_0	5	4
524A2303	D.08.01.L40023_0	7	1	552A2272	A.05.01.L40023_0	1	1	56172080	A.01.01.L40023_0	24	2
52572605	D.11.01.L40025_0	16	1	56074313	D.14.01.L40023_0	27	1	56172163	C.02.01.L40025_0	12	2
52572606	D.11.01.L40025_0	15	1		D.14.02.L40023_0	27	1	56173884	C.02.01.L40025_0	20	2
52579229	D.15.01.L40023_0	18	1	56075265	M.02.01.L40025_0	21	1	56173919	D.12.01.L40023_0	7	2
53273891	D.15.01.L40023_0	34	1	56075473	M.02.01.L40025_0	19	1	56174635	A.05.01.L40023_0	19	1
53279226	D.15.01.L40023_0	8	1	56077608	A.05.01.L40023_0	5	2	56174658	B.01.01.L40023_0	7	1
55072935	B.05.01.L40025_0	23	4	56079676	D.03.01.L40023_0	11	1		B.01.02.L40023_0	7	1
55170047	D.04.01.L40025_0	9	2	56079984N	B.02.01.L40023_0	1.1	1		B.01.03.L40023_0	7	1
55172608	C.02.01.L40025_0	28	2	56079985N	B.02.01.L40023_0	1.2	1	56174659	B.01.01.L40023_0	9	1
55174632	A.03.01.L40023_0	18	1	56079986N	B.02.01.L40023_0	1.3	1		B.01.02.L40023_0	9	1
55174760	A.04.01.L40023_0	9	1	56079987N	B.02.01.L40023_0	1.2	1		B.01.03.L40023_0	9	1
55175174	B.04.01.L40025_0	6	4	56079988N	B.02.01.L40023_0	1.5	2	56174835	B.02.01.L40023_0	29	1
55177639	A.03.01.L40023_0	20	1	560A0337	B.04.01.L40025_0	32	1	56174873	B.01.01.L40023_0	29	1
55178581	L.02.08.L40025_0	45	3	560A0338	B.04.01.L40025_0	36	1		B.01.02.L40023_0	29	1
551A1601	B.09.01.L40025_0	9	1	560A0362	B.04.01.L40025_0	34	2		B.01.03.L40023_0	29	1
	B.09.02.L40025_0	9	1	560A0363	B.04.01.L40025_0	38	2	56176696	A.05.01.L40023_0	6	3
551A1602	B.09.01.L40025_0	8	2	560A0372	D.06.01.L40025_0	30	1	56176814	A.05.01.L40023_0	7	3
	B.09.02.L40025_0	8	2	560A0488	E.04.01.L40023_0	18	1	56177045	B.03.01.L40025_0	26	8
551A1603	D.10.01.L40023_0	3	3	560A0494	A.02.01.L40023_0	25	1		B.03.02.L40025_0	8	8
	D.10.02.L40023_0	3	3	560A1025	T.01.02.L40025_0	20	2		B.05.01.L40025_0	42	4
55277307	A.02.01.L40023_0	15	1	560A1027	T.01.02.L40025_0	27	2	56177086	B.08.01.L40025_0	4	1
55279802	B.02.01.L40023_0	7	1	560A1028	T.01.02.L40025_0	28	2		B.08.02.L40025_0	4	1
55279803	B.02.01.L40023_0	8	1	560A1029	T.01.02.L40025_0	29	2		B.08.03.L40025_0	4	1
55279804	B.03.01.L40025_0	22	1	560A1035	D.14.01.L40023_0	35	1	56177648	A.02.01.L40023_0	10	1
	B.03.02.L40025_0	10	1	56170017	L.01.01.L40023_0	3	1	56177656	B.01.01.L40023_0	14	1
55279805	B.03.01.L40025_0	23	1	56170043	D.04.01.L40025_0	10	2		B.01.02.L40023_0	14	1
	B.03.02.L40025_0	11	1	56170226	C.02.01.L40025_0	19	1		B.01.03.L40023_0	14	1
55279806	B.05.01.L40025_0	27	1	56170350	F.01.01.L40025_0	8	2	56177938	E.04.01.L40023_0	14	1
55279807	B.05.01.L40025_0	28	1		F.01.02.L40025_0	8	2	56178695	F.04.01.L40023_0	21	3
55279820	B.08.01.L40025_0	8	1	56171671	D.01.01.L40025_0	7	1	56179322	D.16.01.L40023_0	23	1
55279823	B.08.01.L40025_0	12	1	56171672	D.01.01.L40025_0	9	1		D.16.02.L40023_0	23	1

SPARE PARTS INSTANCE INDEX

Code	Parts Table	Pos.	Q.ty	Code	Parts Table	Pos.	Q.ty	Code	Parts Table	Pos.	Q.ty
56179326	T.03.01.L40023_0	2	1	561A0004	L.02.04.L40025_0	8	1	561A0579	A.01.01.L40023_0	6	1
56179327	T.03.01.L40023_0	3	1		L.02.06.L40025_0	8	1	561A0820	B.09.01.L40025_0	1	1
56179473	T.01.02.L40025_0	18	2		L.02.07.L40025_0	8	1		B.09.02.L40025_0	1	1
56179531	F.04.01.L40023_0	9	1		L.02.08.L40025_0	8	1	561A0940Z	A.01.01.L40023_0	7	1
56179625	B.01.01.L40023_0	4	1	561A0005	L.02.02.L40025_0	52	1	561A1007	B.08.01.L40025_0	13	1
	B.01.02.L40023_0	4	1		L.02.03.L40025_0	52	1		B.08.02.L40025_0	13	1
	B.01.03.L40023_0	4	1		L.02.04.L40025_0	52	1		B.08.03.L40025_0	13	1
56179763	D.06.01.L40025_0	19	1		L.02.06.L40025_0	52	1	561A1144	B.01.01.L40023_0	18	1
56179766	D.06.01.L40025_0	6	1		L.02.07.L40025_0	52	1		B.01.02.L40023_0	18	1
56179767	D.06.01.L40025_0	34	1	561A0006	L.02.02.L40025_0	54	1	561A1188	D.02.01.L40023_0	15	4
56179770	D.06.01.L40025_0	4	1		L.02.03.L40025_0	54	1	561A1576	D.10.01.L40023_0	30	3
56179956	L.02.02.L40025_0	61	1		L.02.04.L40025_0	54	1		D.10.02.L40023_0	30	3
	L.02.03.L40025_0	61	1		L.02.06.L40025_0	54	1	561A2371	B.03.01.L40025_0	10	1
	L.02.04.L40025_0	61	1		L.02.07.L40025_0	54	1	561A2379N	L.02.08.L40025_0	16	1
	L.02.06.L40025_0	61	1	561A0025	B.05.01.L40025_0	22	2	561A2386N	L.02.08.L40025_0	19	1
	L.02.07.L40025_0	61	1	561A0081	A.04.01.L40023_0	5	1	561A2624V	B.04.01.L40025_0	16	1
56179997	B.02.01.L40023_0	16	4	561A0083	A.03.01.L40023_0	12	1	561A2768	F.01.01.L40025_0	11	1
561A0002	L.02.01.L40025_0	3	1	561A0084	B.02.01.L40023_0	18	1		F.01.02.L40025_0	11	1
	L.02.02.L40025_0	3	1	561A0099V	B.04.01.L40025_0	13	1	561A2769Z	E.03.02.L40023_0	16	1
	L.02.03.L40025_0	3	1	561A0100V	B.04.01.L40025_0	14	1	561A2954	A.01.01.L40023_0	2	1
	L.02.04.L40025_0	3	1	561A0102	A.06.01.L40023_0	6	1	561A2957	B.02.01.L40023_0	4	1
	L.02.06.L40025_0	3	1	561A0202V	B.04.01.L40025_0	15	1	561A3001	A.02.01.L40023_0	21	1
	L.02.07.L40025_0	3	1	561A0268	B.01.02.L40023_0	28	1	561A3003	A.01.01.L40023_0	33	1
	L.02.08.L40025_0	3	1	561A0297	B.01.01.L40023_0	28	1	561A3004	A.03.01.L40023_0	23	1
561A0003	L.02.01.L40025_0	6	1		B.01.03.L40023_0	28	1	561A3009N	A.04.01.L40023_0	7	1
	L.02.02.L40025_0	6	1	561A0336	B.04.01.L40025_0	27	1	561A3068	B.02.01.L40023_0	31	2
	L.02.03.L40025_0	6	1	561A0342Z	E.04.01.L40023_0	2	4	561A3106	A.02.01.L40023_0	27	2
	L.02.04.L40025_0	6	1	561A0430	D.16.01.L40023_0	7	1	561A3185	L.02.08.L40025_0	20	1
	L.02.06.L40025_0	6	1		D.16.02.L40023_0	7	1	561A3316	A.02.01.L40023_0	18	1
	L.02.07.L40025_0	6	1	561A0432	B.05.01.L40025_0	7	2	56271457	D.08.01.L40023_0	22	1
	L.02.08.L40025_0	6	1	561A0433	B.05.01.L40025_0	6	2	56276359	C.02.01.L40025_0	9.2	1
561A0004	L.02.01.L40025_0	8	1	561A0448	M.02.01.L40025_0	5	1	56276360	C.02.01.L40025_0	9.1	1
	L.02.02.L40025_0	8	1	561A0476	M.02.01.L40025_0	6	1	56349629	D.05.01.L40025_0	11	1
	L.02.03.L40025_0	8	1	561A0485	M.02.01.L40025_0	8	1		L.01.01.L40023_0	19	2

SPARE PARTS INSTANCE INDEX

Code	Parts Table	Pos.	Q.ty	Code	Parts Table	Pos.	Q.ty	Code	Parts Table	Pos.	Q.ty
56370018	D.10.01.L40023_0	27	6	56371584	C.01.01.L40025_0	7	0.8	56375407	L.02.01.L40025_0	37	1
	D.10.02.L40023_0	27	6		C.01.02.L40025_0	7	0.8		L.02.02.L40025_0	37	1
56370081	C.01.01.L40025_0	5	1		D.11.01.L40025_0	14,3	0.8		L.02.03.L40025_0	37	1
	D.12.01.L40023_0	14	2	56371585	C.01.01.L40025_0	7	0.8		L.02.04.L40025_0	37	1
56370172	D.10.01.L40023_0	6	3		C.01.02.L40025_0	7	0.8		L.02.06.L40025_0	37	1
	D.10.02.L40023_0	6	3		D.11.01.L40025_0	14,4	0.8		L.02.07.L40025_0	37	1
56370178	C.02.01.L40025_0	18	2	56371586	C.01.01.L40025_0	7	0.8		L.02.08.L40025_0	37	1
56370187	D.13.01.L40023_0	4	1		C.01.02.L40025_0	7	0.8	56375436	A.02.01.L40023_0	9	1
56370228	C.02.01.L40025_0	1.4	2		D.11.01.L40025_0	14,5	0.8	56377112	A.02.01.L40023_0	5	1
	L.01.01.L40023_0	4	1	56371605	D.04.01.L40025_0	4	2	56379266	D.16.01.L40023_0	27	1
56370539	W.01.01.L40023_0	6	3	56371606	D.04.01.L40025_0	3	4		D.16.02.L40023_0	27	1
	W.01.02.L40023_0	6	3	56371613	D.13.01.L40023_0	10	1	56379267	D.14.01.L40023_0	15	1
	W.01.04.L40023_0	6	3	56371646	D.13.01.L40023_0	5	1		D.14.02.L40023_0	15	1
	W.01.05.L40023_0	6	3	56371652	D.08.01.L40023_0	1	1	56379286	D.10.01.L40023_0	9	1
	W.01.06.L40023_0	6	3	56371661	D.08.01.L40023_0	26	0.2		D.10.02.L40023_0	9	1
	W.01.07.L40023_0	6	3	56371662	D.08.01.L40023_0	26	0.2	56379287	D.10.01.L40023_0	7	1
	W.01.08.L40023_0	6	3	56371663	D.08.01.L40023_0	26	0.2		D.10.02.L40023_0	7	1
	W.01.09.L40023_0	6	3	56371664	D.08.01.L40023_0	26	0.2	56379288	D.10.01.L40023_0	11	1
	W.01.10.L40023_0	6	3	56371666	D.01.01.L40025_0	4	1		D.10.02.L40023_0	11	1
	W.01.11.L40023_0	6	3	56371667	D.01.01.L40025_0	12,2	0.25	56379289	D.10.01.L40023_0	10	1
56370583	D.13.01.L40023_0	11	1	56371668	D.01.01.L40025_0	12,3	0.25		D.10.02.L40023_0	10	1
56371440	D.07.01.L40023_0	3	2	56371669	D.01.01.L40025_0	12,4	0.25	56379290	D.10.01.L40023_0	8	1
56371551	D.02.01.L40023_0	14	1	56371670	D.01.01.L40025_0	12,1	0.25		D.10.02.L40023_0	8	1
56371575	D.12.01.L40023_0	5	0.3	56371708	D.04.01.L40025_0	6	2	56379320	D.16.01.L40023_0	25	1
56371576	D.12.01.L40023_0	5	0.3	56371714	D.03.01.L40023_0	8	1		D.16.02.L40023_0	25	1
56371577	D.12.01.L40023_0	5	0.3	56371715	D.03.01.L40023_0	9	1	56379323	D.16.01.L40023_0	12	1
56371578	D.12.01.L40023_0	5	0.3	56371994	D.01.01.L40025_0	18	1		D.16.02.L40023_0	12	1
56371579	D.12.01.L40023_0	5	0.3		D.11.01.L40025_0	9	1	56379325	D.16.01.L40023_0	14	1
56371582	C.01.01.L40025_0	7	0.8	56372067	T.01.02.L40025_0	43	1		D.16.02.L40023_0	14	1
	C.01.02.L40025_0	7	0.8		T.03.01.L40023_0	7	4	56379584	C.02.01.L40025_0	17	1
	D.11.01.L40025_0	14,1	0.8	56373349	D.12.01.L40023_0	5	0.3	56379765	D.06.01.L40025_0	8	1
56371583	C.01.01.L40025_0	7	0.8	56373350	D.12.01.L40023_0	5	0.3	563A0264	B.01.01.L40023_0	2	1
	C.01.02.L40025_0	7	0.8	56373440	D.08.01.L40023_0	26	0.2		B.01.02.L40023_0	2	1
	D.11.01.L40025_0	14,2	0.8	56373542	C.02.01.L40025_0	16	1		B.01.03.L40023_0	2	1



SPARE PARTS INSTANCE INDEX

Code	Parts Table	Pos.	Q.ty	Code	Parts Table	Pos.	Q.ty	Code	Parts Table	Pos.	Q.ty
563A0265	A.01.01.L40023_0	30	1	56479240	D.14.01.L40023_0	22	1	573A0371	D.06.01.L40025_0	29	1
563A0449	M.02.01.L40025_0	15	1		D.14.02.L40023_0	22	1	573A0580V	Y.01.04.L20003_0	40/2	1
563A0450	M.02.01.L40025_0	14	1	56479241	D.15.01.L40023_0	27	1	573A0581V	Y.01.04.L20003_0	40/1	1
563A0461	M.02.01.L40025_0	17	1	56479242	D.15.01.L40023_0	28	1	573A0629	B.04.01.L40025_0	19	1
563A0956	T.01.02.L40025_0	14	2	56479697	D.15.01.L40023_0	1	1	573A0630	B.04.01.L40025_0	20	1
563A0970	T.01.02.L40025_0	38	2	56479768	D.06.01.L40025_0	21	1	573A0784	B.08.02.L40025_0	8	1
563A1689	D.02.01.L40023_0	33	1	56479769	D.06.01.L40025_0	10	1	573A0785	B.09.02.L40025_0	4	1
563A2077	D.06.01.L40025_0	18	1	564A2716	C.02.01.L40025_0	11	1	573A1150	A.03.01.L40023_0	3	1
563A2103	A.01.01.L40023_0	35	1	56571697	D.10.01.L40023_0	21	2	573A2267	B.08.03.L40025_0	12	1
563A2120	D.15.01.L40023_0	12	1		D.10.02.L40023_0	21	2	573A2658	L.02.08.L40025_0	13	1
563A2926	A.01.01.L40023_0	34	1	56572156	C.02.01.L40025_0	27	1	573A2659	L.02.08.L40025_0	14	1
563A2927	A.01.01.L40023_0	25	1	56572623	D.01.01.L40025_0	22	1	573A3126V	B.02.01.L40023_0	28	1
563A3038	F.04.01.L40023_0	7	1	56572624	D.01.01.L40025_0	23	1	58024193	D.08.01.L40023_0	3	0.2
56470797	D.05.01.L40025_0	16	2	56579874	L.01.01.L40023_0	11	1	58024194	D.08.01.L40023_0	3	0.2
56471441	D.07.01.L40023_0	4	1	565A0971	T.01.02.L40025_0	6	2	58024195	D.08.01.L40023_0	3	0.2
56471461	D.08.01.L40023_0	24	1	572A0590	B.04.01.L40025_0	22	1	58024196	D.08.01.L40023_0	3	0.2
56471508	D.01.01.L40025_0	17	1	572A0591	B.04.01.L40025_0	21	1	58035255	E.04.01.L40023_0	20	1
	D.11.01.L40025_0	10	1	57371900	A.05.01.L40023_0	2	1	58048002	B.01.01.L40023_0	12	1
56471654	D.07.01.L40023_0	10	1	57377106	A.02.01.L40023_0	8	1		B.01.02.L40023_0	12	1
56471655	D.08.01.L40023_0	4	1	57377110	A.02.01.L40023_0	7	1		B.01.03.L40023_0	12	1
56471665	D.01.01.L40025_0	5	1	57379771	D.06.01.L40025_0	5	1	58070164	D.10.01.L40023_0	5	3
56471709	D.04.01.L40025_0	7	2	57379931	B.09.01.L40025_0	4	1		D.10.02.L40023_0	5	3
56471813	D.03.01.L40023_0	5	1	57379953	B.03.01.L40025_0	17	1	58070168	D.10.01.L40023_0	25	3
56473890	D.15.01.L40023_0	2	0.3	57379954	B.03.01.L40025_0	18	1		D.10.02.L40023_0	25	3
56474713	D.15.01.L40023_0	2	0.1	573A0049	L.02.01.L40025_0	14	1	58070169	D.10.01.L40023_0	2	3
56474714	D.15.01.L40023_0	2	0.1		L.02.02.L40025_0	14	1		D.10.02.L40023_0	2	3
56475517	D.15.01.L40023_0	2	0.25		L.02.03.L40025_0	14	1	58070198	D.13.01.L40023_0	7	1
56475518	D.15.01.L40023_0	2	0.25		L.02.04.L40025_0	14	1	58070205	D.13.01.L40023_0	13	1
56475568	D.14.01.L40023_0	20	1		L.02.06.L40025_0	14	1	58070366	D.04.01.L40025_0	12	2
	D.14.02.L40023_0	20	1		L.02.07.L40025_0	14	1	58070373	D.05.01.L40025_0	8	1
56475844	D.15.01.L40023_0	33	1	573A0050	L.02.01.L40025_0	13	1	58070741	D.10.01.L40023_0	24	5
56479039	D.15.01.L40023_0	30	1		L.02.04.L40025_0	13	1		D.10.02.L40023_0	24	5
56479221	D.15.01.L40023_0	6	1		L.02.07.L40025_0	13	1		D.16.01.L40023_0	9	2
56479239	D.15.01.L40023_0	5	1	573A0052	L.02.02.L40025_0	13	1		D.16.02.L40023_0	9	2

SPARE PARTS INSTANCE INDEX

Code	Parts Table	Pos.	Q.ty	Code	Parts Table	Pos.	Q.ty	Code	Parts Table	Pos.	Q.ty
58071790	C.01.01.L40025_0	8	1	58075515	D.15.01.L40023_0	32	6	580A0526	L.02.03.L40025_0	48	1
	C.01.02.L40025_0	4	1	58075603	L.01.01.L40023_0	10	1		L.02.04.L40025_0	48	1
58071793	C.02.01.L40025_0	1.1	1	58075873	A.03.01.L40023_0	25	2		L.02.06.L40025_0	48	1
58072389	D.15.01.L40023_0	17	1	58075898	L.02.08.L40025_0	41	1		L.02.07.L40025_0	48	1
58072398	D.15.01.L40023_0	2	4	58076077	B.07.01.L40025_0	12	1	580A0527	L.02.03.L40025_0	58	1
58072399	D.15.01.L40023_0	13	1		B.07.02.L40025_0	12	1		L.02.06.L40025_0	58	1
58072505	D.08.01.L40023_0	11	1		B.07.03.L40025_0	12	1	580A0528	L.02.01.L40025_0	40	1
	D.09.01.L40023_0	10	1	58076752	A.05.01.L40023_0	9	3		L.02.02.L40025_0	40	2
58072510	B.07.01.L40025_0	23	1	58077047	B.07.01.L40025_0	16	1		L.02.03.L40025_0	40	2
	B.07.02.L40025_0	23	1		B.07.02.L40025_0	16	1		L.02.04.L40025_0	40	2
	B.07.03.L40025_0	23	1		B.07.03.L40025_0	16	1		L.02.06.L40025_0	40	2
58072511	B.07.01.L40025_0	17	1	58077305	E.03.01.L40023_0	12	1		L.02.07.L40025_0	40	2
	B.07.02.L40025_0	17	1	58077942	F.01.02.L40025_0	23	2	580A0529	L.02.01.L40025_0	41	1
	B.07.03.L40025_0	17	1	58079278	E.04.01.L40023_0	7	1		L.02.02.L40025_0	41	2
58072573	B.07.01.L40025_0	21	1	58079509	B.07.03.L40025_0	36	1		L.02.03.L40025_0	41	2
	B.07.02.L40025_0	21	1	58079818	T.01.02.L40025_0	41	1		L.02.04.L40025_0	41	2
	B.07.03.L40025_0	21	1	58079929	B.02.01.L40023_0	9	4		L.02.06.L40025_0	41	2
58072575	B.07.01.L40025_0	22	1		B.03.01.L40025_0	15	8		L.02.07.L40025_0	41	2
	B.07.02.L40025_0	22	1		B.03.02.L40025_0	14	8	580A0530	L.02.02.L40025_0	60	1
	B.07.03.L40025_0	22	1		B.05.01.L40025_0	32	8		L.02.03.L40025_0	60	1
58073227	A.02.01.L40023_0	13	2	58093053	A.03.01.L40023_0	27	1		L.02.04.L40025_0	60	1
	D.06.01.L40025_0	28	1	580A0127	E.04.01.L40023_0	19	1		L.02.06.L40025_0	60	1
58073788	D.07.01.L40023_0	18	1	580A0285	B.07.03.L40025_0	34	1		L.02.07.L40025_0	60	1
58074092	D.15.01.L40023_0	11	1	580A0360	D.03.01.L40023_0	4	1	580A0533	L.02.01.L40025_0	35	1
58074109	D.08.01.L40023_0	3	0.2	580A0361	B.04.01.L40025_0	3	4		L.02.02.L40025_0	35	1
58074831	B.01.01.L40023_0	16	1	580A0478	E.01.01.L40023_0	1	1		L.02.03.L40025_0	35	1
	B.01.02.L40023_0	16	1	580A0479	E.01.01.L40023_0	6	2		L.02.04.L40025_0	35	1
	B.01.03.L40023_0	16	1	580A0481	E.03.01.L40023_0	8	1		L.02.06.L40025_0	35	1
58074841	B.07.01.L40025_0	24	1		E.03.02.L40023_0	8	1		L.02.07.L40025_0	35	1
	B.07.02.L40025_0	24	1	580A0495	A.02.01.L40023_0	26	1		L.02.08.L40025_0	35	1
	B.07.03.L40025_0	24	1	580A0520	B.07.01.L40025_0	3	1	580A0534	L.02.01.L40025_0	36	1
58074880	B.07.01.L40025_0	15	1		B.07.02.L40025_0	3	1		L.02.02.L40025_0	36	1
	B.07.02.L40025_0	15	1		B.07.03.L40025_0	3	1		L.02.03.L40025_0	36	1
	B.07.03.L40025_0	15	1	580A0526	L.02.02.L40025_0	48	1		L.02.04.L40025_0	36	1

SPARE PARTS INSTANCE INDEX

Code	Parts Table	Pos.	Q.ty	Code	Parts Table	Pos.	Q.ty	Code	Parts Table	Pos.	Q.ty
580A0534	L.02.06.L40025_0	36	1	580A1122	B.07.01.L40025_0	1	1	580A2134	B.08.01.L40025_0	21	2
	L.02.07.L40025_0	36	1		B.07.02.L40025_0	1	1		B.08.02.L40025_0	21	2
	L.02.08.L40025_0	36	1		B.07.03.L40025_0	1	1		B.08.03.L40025_0	21	2
580A0536	F.04.01.L40023_0	20	1	580A1123	B.07.01.L40025_0	2	1	580A2146	B.07.01.L40025_0	25	4
580A0606	A.03.01.L40023_0	24	1		B.07.02.L40025_0	2	1		B.07.02.L40025_0	25	4
580A0607	A.05.01.L40023_0	18	1		B.07.03.L40025_0	2	1		B.07.03.L40025_0	25	4
580A0788	A.01.01.L40023_0	9	1	580A1189	D.02.01.L40023_0	16	8	580A2171	B.07.01.L40025_0	7	1
580A0972	T.01.02.L40025_0	8	2	580A1227	F.04.01.L40023_0	5	1		B.07.02.L40025_0	7	1
580A1015	B.07.01.L40025_0	5	1	580A1345	L.01.01.L40023_0	16	2		B.07.03.L40025_0	7	1
	B.07.02.L40025_0	5	1	580A1580	B.07.01.L40025_0	19	1	580A2179	B.07.01.L40025_0	9	1
	B.07.03.L40025_0	5	1		B.07.02.L40025_0	19	1		B.07.02.L40025_0	9	1
580A1016	B.07.01.L40025_0	13	1		B.07.03.L40025_0	19	1		B.07.03.L40025_0	9	1
	B.07.02.L40025_0	13	1	580A1581	B.07.01.L40025_0	18	1	580A2180	B.07.01.L40025_0	4	2
	B.07.03.L40025_0	13	1		B.07.02.L40025_0	18	1		B.07.02.L40025_0	4	2
580A1023	B.07.01.L40025_0	10	1		B.07.03.L40025_0	18	1		B.07.03.L40025_0	4	2
	B.07.02.L40025_0	10	1	580A1583	B.07.01.L40025_0	20	1	580A2196	B.07.03.L40025_0	35	1
	B.07.03.L40025_0	10	1		B.07.02.L40025_0	20	1	580A2365	B.03.01.L40025_0	12	1
580A1026	T.01.02.L40025_0	32	2		B.07.03.L40025_0	20	1	580A2605	L.02.08.L40025_0	40	1
580A1037	B.07.01.L40025_0	31	1	580A1605	B.07.01.L40025_0	30	1	580A2606	L.02.04.L40025_0	58	1
	B.07.02.L40025_0	31	1		B.07.02.L40025_0	30	1		L.02.07.L40025_0	58	1
	B.07.03.L40025_0	31	1		B.07.03.L40025_0	30	1	580A2745	E.03.02.L40023_0	13	1
580A1038	B.07.01.L40025_0	28	1	580A1606	B.07.01.L40025_0	32	1	580A2746	E.03.01.L40023_0	3	1
	B.07.02.L40025_0	28	1		B.07.02.L40025_0	32	1		E.03.02.L40023_0	3	1
	B.07.03.L40025_0	28	1		B.07.03.L40025_0	32	1	580A2757	E.03.01.L40023_0	7	1
580A1039	B.07.01.L40025_0	14	1	580A1607	B.07.01.L40025_0	26	1		E.03.02.L40023_0	7	1
	B.07.02.L40025_0	14	1		B.07.02.L40025_0	26	1	580A2758	L.02.01.L40025_0	47	1
	B.07.03.L40025_0	14	1		B.07.03.L40025_0	26	1		L.02.02.L40025_0	63	1
580A1040	A.03.01.L40023_0	30	1	580A1608	B.07.01.L40025_0	33	1		L.02.03.L40025_0	63	1
580A1042	B.07.01.L40025_0	27	1		B.07.02.L40025_0	33	1		L.02.04.L40025_0	63	1
	B.07.02.L40025_0	27	1		B.07.03.L40025_0	33	1		L.02.06.L40025_0	63	1
	B.07.03.L40025_0	27	1	580A1609	B.07.01.L40025_0	29	4		L.02.07.L40025_0	63	1
580A1121	B.07.01.L40025_0	8	1		B.07.02.L40025_0	29	4		L.02.08.L40025_0	47	1
	B.07.02.L40025_0	8	1		B.07.03.L40025_0	29	4	580A2868	B.07.01.L40025_0	6	2
	B.07.03.L40025_0	8	1	580A1908	F.04.01.L40023_0	25	1		B.07.02.L40025_0	6	2

SPARE PARTS INSTANCE INDEX

Code	Parts Table	Pos.	Q.ty	Code	Parts Table	Pos.	Q.ty	Code	Parts Table	Pos.	Q.ty
580A2868	B.07.03.L40025_0	6	2	58172012	L.02.03.L40025_0	57	2	58173119	B.08.03.L40025_0	24,3	1
580A2984	E.04.01.L40023_0	6	1		L.02.04.L40025_0	57	2		B.08.03.L40025_0	25,3	1
580A3010	A.04.01.L40023_0	12	1	58172013	L.02.06.L40025_0	57	2	58173120	B.08.01.L40025_0	25.2	1
580A3013	A.05.01.L40023_0	16	1		L.02.07.L40025_0	57	2		B.08.02.L40025_0	25,2	1
580A3039	F.01.02.L40025_0	30	1	58172014	L.02.02.L40025_0	58	1		B.08.03.L40025_0	25,2	1
580A3040	F.01.02.L40025_0	29	1	58172015	L.02.01.L40025_0	28	1	58173121	B.08.01.L40025_0	24.2	1
580A3097	A.02.01.L40023_0	29	1		L.02.02.L40025_0	28	2		B.08.02.L40025_0	24,2	1
580A3114	A.02.01.L40023_0	28	1		L.02.03.L40025_0	28	2		B.08.03.L40025_0	24,2	1
580A3133	B.07.01.L40025_0	11	1		L.02.04.L40025_0	28	2	58173230	D.06.01.L40025_0	32	1
	B.07.02.L40025_0	11	1		L.02.06.L40025_0	28	2	58173345	B.08.01.L40025_0	14	1
	B.07.03.L40025_0	11	1		L.02.07.L40025_0	28	2		B.08.02.L40025_0	14	1
580A3183	E.03.01.L40023_0	1	1		L.02.08.L40025_0	28	1		B.08.03.L40025_0	14	1
	E.03.02.L40023_0	1	1	58172043	B.08.01.L40025_0	18	1	58173361	L.02.02.L40025_0	49	1
58170077	C.02.01.L40025_0	15	2		B.08.02.L40025_0	18	1		L.02.03.L40025_0	49	1
58170195	D.13.01.L40023_0	3	1		B.08.03.L40025_0	18	1		L.02.04.L40025_0	49	1
58170238	A.05.01.L40023_0	3	1	58172155	C.02.01.L40025_0	30	1		L.02.06.L40025_0	49	1
58170339	A.03.01.L40023_0	33	1	58172304	L.02.02.L40025_0	46	1		L.02.07.L40025_0	49	1
58170571	E.03.01.L40023_0	3,200000	1		L.02.03.L40025_0	46	1	58173506	F.01.01.L40025_0	10	1
	E.03.02.L40023_0	3,2	1		L.02.04.L40025_0	46	1		F.01.02.L40025_0	10	1
58170572	E.03.01.L40023_0	3,099999	1		L.02.06.L40025_0	46	1	58173543	F.01.01.L40025_0	18	1
	E.03.02.L40023_0	3,1	1		L.02.07.L40025_0	46	1		F.01.02.L40025_0	18	1
58170866	A.01.01.L40023_0	19	1	58172400	D.15.01.L40023_0	9	1	58173790	D.08.01.L40023_0	5	1
58171027	A.04.01.L40023_0	1,4	1	58172402	D.15.01.L40023_0	10	1		D.09.01.L40023_0	4	2
58171028	A.04.01.L40023_0	1,3	1	58172447	D.15.01.L40023_0	15	4	58173792	D.09.01.L40023_0	5	2
58171558	D.02.01.L40023_0	11	7	58172448	D.15.01.L40023_0	14	4	58173797	D.08.01.L40023_0	18	1
58171559	D.02.01.L40023_0	12	6	58172463	F.04.01.L40023_0	13	2	58174547	F.04.01.L40023_0	19	1
58171567	D.12.01.L40023_0	10	12	58172571	D.09.01.L40023_0	11	1	58175014	F.01.01.L40025_0	14	1
58171596	D.03.01.L40023_0	2	2	58173116	B.08.01.L40025_0	24.1	1		F.01.02.L40025_0	14	1
	D.05.01.L40025_0	2	2		B.08.02.L40025_0	24,1	1	58175121	A.06.01.L40023_0	5	1
58171653	D.12.01.L40023_0	11	120		B.08.03.L40025_0	24,1	1	58175122	A.04.01.L40023_0	1,5	1
58171706	D.04.01.L40025_0	1	2	58173119	B.08.01.L40025_0	24.3	1		F.01.01.L40025_0	4	1
58171707	D.04.01.L40025_0	2	6		B.08.01.L40025_0	25.3	1		F.01.02.L40025_0	4	1
58171901	B.05.01.L40025_0	14	2		B.08.02.L40025_0	24,3	1	58175187	D.16.01.L40023_0	13	1
58172011	L.02.02.L40025_0	57	1		B.08.02.L40025_0	25,3	1		L.02.01.L40025_0	10	2

SPARE PARTS INSTANCE INDEX

Code	Parts Table	Pos.	Q.ty	Code	Parts Table	Pos.	Q.ty	Code	Parts Table	Pos.	Q.ty
58175187	L.02.02.L40025_0	10	4	58176406	E.03.02.L40023_0	10	4	58177939	E.04.01.L40023_0	1	1
	L.02.03.L40025_0	10	4	58176743	E.01.01.L40023_0	5	4	58179169	D.08.01.L40023_0	8	33
	L.02.04.L40025_0	10	4	58176755	A.04.01.L40023_0	1	1	58179237	D.14.01.L40023_0	4	1
	L.02.06.L40025_0	10	4	58176866	L.02.02.L40025_0	55	1		D.14.02.L40023_0	4	1
	L.02.07.L40025_0	10	4		L.02.03.L40025_0	55	1	58179276	E.04.01.L40023_0	16	1
	L.02.08.L40025_0	10	2		L.02.04.L40025_0	55	1	58179707	A.06.01.L40023_0	1	1
	M.02.01.L40025_0	10	2		L.02.06.L40025_0	55	1	58179811	C.02.01.L40025_0	1.3	5
58175188	L.02.01.L40025_0	7	1		L.02.07.L40025_0	55	1	58179859	D.06.01.L40025_0	20	1
	L.02.02.L40025_0	7	1	58176867	L.02.02.L40025_0	53	1	58179860	D.06.01.L40025_0	3	1
	L.02.03.L40025_0	7	1		L.02.03.L40025_0	53	1	58179928	D.07.01.L40023_0	7	1
	L.02.04.L40025_0	7	1		L.02.04.L40025_0	53	1	581A0071	E.01.01.L40023_0	2	2
	L.02.06.L40025_0	7	1		L.02.06.L40025_0	53	1	581A0108	C.03.01.L40025_0	3	1
	L.02.07.L40025_0	7	1		L.02.07.L40025_0	53	1	581A0128	E.04.01.L40023_0	21	1
	L.02.08.L40025_0	7	1	58177087	B.08.01.L40025_0	3	1	581A0129	E.04.01.L40023_0	22	1
	M.02.01.L40025_0	7	1		B.08.02.L40025_0	3	1	581A0370	W.01.07.L40023_0	1	1
58175211	L.02.01.L40025_0	9	1		B.08.03.L40025_0	3	1		W.01.08.L40023_0	1	4
	L.02.02.L40025_0	9	1	58177111	B.01.01.L40023_0	17	1	581A0376	B.02.01.L40023_0	23	1
	L.02.03.L40025_0	9	1		B.01.02.L40023_0	17	1	581A0585	W.01.11.L40023_0	1	4
	L.02.04.L40025_0	9	1		B.01.03.L40023_0	17	1	581A0660	B.05.01.L40025_0	5	4
	L.02.06.L40025_0	9	1	58177240	D.16.02.L40023_0	13	1	581A0739	E.04.01.L40023_0	23	1
	L.02.07.L40025_0	9	1	58177268	B.08.01.L40025_0	25.1	1	581A0907	L.02.01.L40025_0	1	1
	L.02.08.L40025_0	9	1		B.08.02.L40025_0	25,1	1		L.02.02.L40025_0	1	1
	M.02.01.L40025_0	9	1		B.08.03.L40025_0	25,1	1		L.02.03.L40025_0	1	1
58175318	L.01.01.L40023_0	2	2	58177330	B.05.01.L40025_0	39	2		L.02.04.L40025_0	1	1
58175472	M.02.01.L40025_0	1	1	58177400	A.01.01.L40023_0	8	1		L.02.06.L40025_0	1	1
58175700	E.03.01.L40023_0	2	1	58177547	L.02.01.L40025_0	45	1		L.02.07.L40025_0	1	1
	E.03.02.L40023_0	2	1		L.02.02.L40025_0	62	1		L.02.08.L40025_0	1	1
58175783	T.01.02.L40025_0	17	2		L.02.03.L40025_0	62	1	581A1577	D.10.01.L40023_0	1	3
58175937	D.08.01.L40023_0	10	1		L.02.04.L40025_0	62	1		D.10.02.L40023_0	1	3
58176395	E.01.01.L40023_0	3	2		L.02.06.L40025_0	62	1	581A2277	C.02.01.L40025_0	24	1
58176396	E.03.01.L40023_0	9	2		L.02.07.L40025_0	62	1	581A2284	F.01.01.L40025_0	1	1
	E.03.02.L40023_0	9	2		L.02.08.L40025_0	48	1		F.01.02.L40025_0	1	1
58176406	E.01.01.L40023_0	8	4	58177756	E.03.02.L40023_0	12	1	581A2292	D.01.01.L40025_0	1	1
	E.03.01.L40023_0	10	4		Y.01.01.L20003_0	56	1	581A2354	A.03.01.L40023_0	1	1



SPARE PARTS INSTANCE INDEX

Code	Parts Table	Pos.	Q.ty	Code	Parts Table	Pos.	Q.ty	Code	Parts Table	Pos.	Q.ty
581A2355	F.01.02.L40025_0	19	1	59079612	D.05.01.L40025_0	3	1	590A0093	L.02.03.L40025_0	19	1
581A2792	A.03.01.L40023_0	9	2	59079643	D.03.01.L40023_0	14	1		L.02.04.L40025_0	19	1
581A3052	B.08.01.L40025_0	9	1		D.05.01.L40025_0	5	1		L.02.06.L40025_0	19	1
	B.08.02.L40025_0	9	1	59079654	B.04.01.L40025_0	30	1		L.02.07.L40025_0	19	1
	B.08.03.L40025_0	9	1	59079658	B.04.01.L40025_0	29	1	590A0096V	B.04.01.L40025_0	26	1
59070592	B.05.01.L40025_0	35	1	59079672	D.02.01.L40023_0	6	1	590A0118	D.05.01.L40025_0	1	1
59071518	D.01.01.L40025_0	21	1	59079679	D.03.01.L40023_0	18	1	590A0325V	B.04.01.L40025_0	1	1
	D.11.01.L40025_0	12	1		D.05.01.L40025_0	9	1	590A0359	A.01.01.L40023_0	5	1
59071640	D.03.01.L40023_0	7	1	59079759	D.06.01.L40025_0	1	1	590A0427	D.16.01.L40023_0	11,02	1
59072754	D.16.01.L40023_0	1	1	59079760	D.06.01.L40025_0	2	1	590A0429	D.16.01.L40023_0	11	1
	D.16.02.L40023_0	1	1	59079837	B.05.01.L40025_0	1	1	590A0451	M.02.01.L40025_0	29	1
59074179	D.10.01.L40023_0	19	1	59079844	B.03.01.L40025_0	1	1	590A0454	M.02.01.L40025_0	27	1
59074180	D.10.01.L40023_0	18	1	59079845	B.03.01.L40025_0	2	1	590A0457	M.02.01.L40025_0	30	1
59074181	D.10.01.L40023_0	20	1	59079897V	B.05.01.L40025_0	4	1	590A0462	M.02.01.L40025_0	24	1
59075283	B.01.01.L40023_0	33	1	59079983V	B.02.01.L40023_0	1	1	590A0544	L.02.01.L40025_0	33	1
	B.01.02.L40023_0	33	1	590A0021	B.01.01.L40023_0	25	1		L.02.02.L40025_0	33	1
	B.01.03.L40023_0	33	1		B.01.02.L40023_0	25	1		L.02.03.L40025_0	33	1
59075711	C.02.01.L40025_0	35	1		B.01.03.L40023_0	25	1		L.02.04.L40025_0	33	1
59075712	C.02.01.L40025_0	36	1	590A0031	A.06.01.L40023_0	4	1		L.02.06.L40025_0	33	1
59076685	A.05.01.L40023_0	10	1	590A0057	B.05.01.L40025_0	29	1		L.02.07.L40025_0	33	1
59076690	B.03.01.L40025_0	5	2	590A0058	B.05.01.L40025_0	31	1		L.02.08.L40025_0	33	1
59077101	A.02.01.L40023_0	3	1	590A0059	B.05.01.L40025_0	34	1	590A0562	L.02.01.L40025_0	32	1
59077107	A.02.01.L40023_0	1	1	590A0063	B.03.02.L40025_0	1	1		L.02.02.L40025_0	32	1
59077242	E.03.01.L40023_0	13	1	590A0064	B.03.02.L40025_0	2	1		L.02.03.L40025_0	32	1
59077943	F.01.02.L40025_0	22	2	590A0080	A.04.01.L40023_0	2	1		L.02.04.L40025_0	32	1
59078588	L.01.01.L40023_0	21	1	590A0091	B.05.01.L40025_0	40	1		L.02.06.L40025_0	32	1
59079172	C.03.01.L40025_0	9	1		L.02.01.L40025_0	16	1		L.02.07.L40025_0	32	1
59079319	D.16.01.L40023_0	20	1		L.02.02.L40025_0	16	1		L.02.08.L40025_0	32	1
	D.16.02.L40023_0	20	1		L.02.03.L40025_0	16	1	590A0563	L.02.02.L40025_0	59	1
59079324	D.16.01.L40023_0	18	1		L.02.04.L40025_0	16	1		L.02.03.L40025_0	59	1
	D.16.02.L40023_0	18	1		L.02.06.L40025_0	16	1		L.02.04.L40025_0	59	1
59079592	L.01.01.L40023_0	14	1		L.02.07.L40025_0	16	1		L.02.06.L40025_0	59	1
59079593	L.01.01.L40023_0	15	1	590A0093	L.02.01.L40025_0	19	1		L.02.07.L40025_0	59	1
59079597	D.03.01.L40023_0	1	1		L.02.02.L40025_0	19	1	590A0568	F.01.01.L40025_0	16	1

SPARE PARTS INSTANCE INDEX

Code	Parts Table	Pos.	Q.ty	Code	Parts Table	Pos.	Q.ty	Code	Parts Table	Pos.	Q.ty
590A0568	F.01.02.L40025_0	16	1	590A1993V	B.03.01.L40025_0	14	1	592A0365	W.01.01.L40023_0	1	4
590A0570	F.04.01.L40023_0	17	1	590A1996V	B.05.01.L40025_0	13	1		W.01.09.L40023_0	1	1
590A0571	F.04.01.L40023_0	18	1	590A1997V	B.05.01.L40025_0	12	1	592A1187	D.02.01.L40023_0	10	1
590A0638	M.02.01.L40025_0	16	1	590A2002V	B.03.02.L40025_0	4	1	59377734N	T.03.03.L40023_0	1	1
590A0728	T.03.01.L40023_0	1	1	590A2003V	B.03.02.L40025_0	5	1		T.03.04.L40023_0	1	1
590A0756	D.07.01.L40023_0	23	1	590A2059	D.16.02.L40023_0	11	1	59379041	D.14.01.L40023_0	26	1
	L.01.01.L40023_0	23	1	590A2254	B.03.01.L40025_0	4	1		D.14.02.L40023_0	26	1
590A0848	B.03.01.L40025_0	25	1	590A2346	D.07.01.L40023_0	20	1	59379580	D.11.01.L40025_0	4	1
	B.03.02.L40025_0	13	1		L.01.01.L40023_0	24	1	59379589	F.04.01.L40023_0	1	1
590A0849	B.03.01.L40025_0	24	1	590A2372	B.03.01.L40025_0	11	1	593A0878N	T.03.03.L40023_0	2	1
	B.03.02.L40025_0	12	1	590A2780N	F.01.02.L40025_0	20	1		T.03.04.L40023_0	2	1
590A0950	T.01.02.L40025_0	1	1	590A2782N	F.01.02.L40025_0	21	1	593A2290	D.01.01.L40025_0	13	1
590A0954	T.01.02.L40025_0	2	1	590A2787	D.06.01.L40025_0	7	1	59900006	Y.01.01.L20003_0	16	2
590A0957	T.01.02.L40025_0	15	1	590A2929F	A.01.01.L40023_0	28	1	59900013	Y.01.01.L20003_0	41	1
590A0960	T.01.02.L40025_0	16	1	590A2936	D.10.01.L40023_0	19,1	1	59900026	Y.01.01.L20003_0	12	2
590A0963	T.01.02.L40025_0	23	1		D.10.02.L40023_0	19	1	59900027	Y.01.01.L20003_0	13	2
590A0964	T.01.02.L40025_0	22	1	590A2937	D.10.01.L40023_0	20,1	1	59900028	Y.01.01.L20003_0	14	2
590A0968	T.01.02.L40025_0	24	1		D.10.02.L40023_0	20	1	59900031	Y.01.01.L20003_0	55	2
590A0969	T.01.02.L40025_0	25	1	590A2938	D.10.01.L40023_0	18,1	1	59900034	Y.01.01.L20003_0	11	2
590A0980	T.01.02.L40025_0	10	1		D.10.02.L40023_0	18	1	59900035	Y.01.01.L20003_0	20	4
590A0982	T.01.02.L40025_0	11	1	590A2940V	B.04.01.L40025_0	2	1	59900037	Y.01.01.L20003_0	21	4
590A1030	T.01.02.L40025_0	35	2	590A2942	A.05.01.L40023_0	14	1		Y.01.02.L20003_0	18	1
590A1145	B.01.01.L40023_0	21	1	590A2945F	A.05.01.L40023_0	11	1		Y.01.03.L20003_0	25	1
	B.01.02.L40023_0	21	1	590A2996	A.05.01.L40023_0	20	1	59900046	Y.01.01.L20003_0	29	1
	B.01.03.L40023_0	21	1	590A3087	F.01.01.L40025_0	5	1	59900047	Y.01.01.L20003_0	28	1
590A1645	L.01.01.L40023_0	17	2		F.01.02.L40025_0	5	1	59900051	Y.01.05.L20003_0	22	2
590A1683	D.02.01.L40023_0	22	1	59271011	F.04.01.L40023_0	14	1		Y.01.05.L20003_1	22	2
590A1686	D.02.01.L40023_0	31	1		L.01.01.L40023_0	27	1		Y.01.07.L20003_0	23	2
590A1919N	L.02.02.L40025_0	56	1	59273944	D.12.01.L40023_0	9	2	59900052	Y.01.05.L20003_0	23	2
	L.02.03.L40025_0	56	1	59279877	W.01.05.L40023_0	1	1		Y.01.05.L20003_1	23	2
	L.02.04.L40025_0	56	1	59279887	W.01.04.L40023_0	1	1		Y.01.07.L20003_0	24	2
	L.02.06.L40025_0	56	1		W.01.10.L40023_0	1	4	59900053	Y.01.05.L20003_0	25	3
	L.02.07.L40025_0	56	1	592A0141	W.01.06.L40023_0	1	1		Y.01.05.L20003_1	25	3
590A1992V	B.03.01.L40025_0	13	1	592A0156	W.01.02.L40023_0	1	1		Y.01.07.L20003_0	26	3

SPARE PARTS INSTANCE INDEX

Code	Parts Table	Pos.	Q.ty	Code	Parts Table	Pos.	Q.ty	Code	Parts Table	Pos.	Q.ty
59900054	Y.01.05.L20003_0	24	1	59900106	Y.01.04.L20003_0	16	1	59900404	Y.01.07.L20003_0	15	4
	Y.01.05.L20003_1	24	1	59900107	Y.01.02.L20003_0	23	1	59900405	Y.01.03.L20003_0	17	2
	Y.01.07.L20003_0	25	1		Y.01.03.L20003_0	11	1	59900406	Y.01.03.L20003_0	16	2
59900057	Y.01.05.L20003_0	17	1	59900108	Y.01.01.L20003_0	34	2	59900407	Y.01.02.L20003_0	19	1
	Y.01.05.L20003_1	17	1		Y.01.03.L20003_0	49	1		Y.01.03.L20003_0	6	1
	Y.01.07.L20003_0	33	1	59900109	Y.01.01.L20003_0	45	1	59900408	Y.01.02.L20003_0	20	2
59900058	Y.01.05.L20003_0	16	1		Y.01.02.L20003_0	12	4		Y.01.03.L20003_0	7	2
	Y.01.05.L20003_1	16	1		Y.01.03.L20003_0	35	6	59900409	Y.01.02.L20003_0	21	1
	Y.01.07.L20003_0	32	1		Y.01.04.L20003_0	12	5		Y.01.03.L20003_0	9	1
59900068	Y.01.05.L20003_0	33	1	59900117	Y.01.03.L20003_0	41	2	59900411	Y.01.03.L20003_0	22	1
	Y.01.05.L20003_1	33	1		Y.01.04.L20003_0	10	4	59900414	Y.01.03.L20003_0	15	1
59900070	Y.01.05.L20003_0	36	1	59900138	Y.01.03.L20003_0	19	1	59900415	Y.01.03.L20003_0	18	1
	Y.01.05.L20003_1	36	1	59900347	A.04.01.L40023_0	1,2	1	59900432	Y.01.04.L20003_0	23	3
59900071	Y.01.05.L20003_0	38	2	59900353	A.04.01.L40023_0	1,1	1	59900444	Y.01.05.L20003_0	34	1
59900074	Y.01.02.L20003_0	8	4	59900381	Y.01.01.L20003_0	17	2	59900447	Y.01.05.L20003_0	14	2
	Y.01.03.L20003_0	20	9	59900383	Y.01.01.L20003_0	18	4		Y.01.05.L20003_1	14	2
	Y.01.04.L20003_0	34	1	59900388	Y.01.01.L20003_0	48	1	59900449	Y.01.05.L20003_0	10	1
	Y.01.06.L20003_0	17	4	59900389	Y.01.01.L20003_0	46	1		Y.01.05.L20003_1	10	1
	Y.01.06.L20003_1	17	4	59900393	Y.01.01.L20003_0	43	1	59900455	Y.01.05.L20003_0	47	8
	Y.01.07.L20003_0	14	4	59900395	Y.01.05.L20003_0	21	14		Y.01.05.L20003_1	47	8
59900075	Y.01.01.L20003_0	35	1		Y.01.05.L20003_1	21	14	59900459	Y.01.05.L20003_0	30	1
	Y.01.06.L20003_0	16	2		Y.01.07.L20003_0	20	14		Y.01.05.L20003_1	30	1
	Y.01.06.L20003_1	16	2	59900396	Y.01.01.L20003_0	52	1	59900463	Y.01.05.L20003_0	8	2
	Y.01.07.L20003_0	13	2	59900397	Y.01.01.L20003_0	7	14		Y.01.05.L20003_1	8	2
59900093	Y.01.03.L20003_0	4	1	59900398	Y.01.01.L20003_0	19	4	59900466	Y.01.01.L20003_0	49	2
59900094	Y.01.03.L20003_0	45	1		Y.01.04.L20003_0	26	1	59900468	Y.01.04.L20003_0	29	1
59900102	Y.01.02.L20003_0	6	4		Y.01.06.L20003_0	7	14	59900469	Y.01.05.L20003_1	60	2
	Y.01.02.L20003_0	9	4		Y.01.06.L20003_1	7	14		Y.01.06.L20003_0	20	2
	Y.01.03.L20003_0	21	4		Y.01.07.L20003_0	4	8		Y.01.06.L20003_1	20	2
59900103	Y.01.02.L20003_0	4	4	59900402	Y.01.03.L20003_0	40	2	59900477	Y.01.01.L20003_0	50	2
	Y.01.03.L20003_0	32	5	59900403	Y.01.03.L20003_0	8	1	59900561	Y.01.04.L20003_0	28	1
	Y.01.04.L20003_0	35	1	59900404	Y.01.03.L20003_0	46	1		Y.01.05.L20003_0	7	4
59900106	Y.01.01.L20003_0	36	4		Y.01.06.L20003_0	18	4		Y.01.05.L20003_1	7	4
	Y.01.03.L20003_0	42	2		Y.01.06.L20003_1	18	4		Y.01.07.L20003_0	22	2

SPARE PARTS INSTANCE INDEX

Code	Parts Table	Pos.	Q.ty	Code	Parts Table	Pos.	Q.ty	Code	Parts Table	Pos.	Q.ty
59900564	Y.01.01.L20003_0	10	2	59900652	Y.01.04.L20003_0	33	1	59900725	Y.01.06.L20003_0	5	4
59900565	Y.01.01.L20003_0	37	1	59900665	Y.01.05.L20003_0	18	2		Y.01.06.L20003_1	5	4
59900566	Y.01.01.L20003_0	38	2		Y.01.05.L20003_1	18	2	59900727	Y.01.06.L20003_0	8	2
59900567	Y.01.01.L20003_0	23	1	59900666	Y.01.05.L20003_0	19	3		Y.01.06.L20003_1	8	2
59900576	Y.01.06.L20003_0	21	1		Y.01.05.L20003_1	19	3		Y.01.07.L20003_0	5	2
	Y.01.06.L20003_1	21	1		Y.01.07.L20003_0	34	3	59900728	Y.01.06.L20003_0	9	2
59900577	Y.01.05.L20003_0	9	1	59900667	Y.01.05.L20003_0	20	2		Y.01.06.L20003_1	9	2
	Y.01.05.L20003_1	9	1		Y.01.05.L20003_1	20	2		Y.01.07.L20003_0	6	2
59900590	Y.01.01.L20003_0	51	1		Y.01.07.L20003_0	35	2	59900730	Y.01.06.L20003_0	11	4
59900600	Y.01.03.L20003_0	30	4	59900668	Y.01.05.L20003_0	31	1		Y.01.06.L20003_1	11	4
59900601	Y.01.03.L20003_0	31	2		Y.01.05.L20003_1	31	1		Y.01.07.L20003_0	8	4
59900604	Y.01.02.L20003_0	13	1	59900669	Y.01.05.L20003_0	26	1	59900731	Y.01.06.L20003_0	38	1
	Y.01.03.L20003_0	36	2		Y.01.05.L20003_1	26	1		Y.01.06.L20003_1	38	1
	Y.01.04.L20003_0	13	5		Y.01.07.L20003_0	27	1		Y.01.07.L20003_0	17	1
59900606	Y.01.02.L20003_0	14	1	59900670	Y.01.05.L20003_0	27	1	59900750	Y.01.06.L20003_0	6	10
59900608	Y.01.02.L20003_0	22	1		Y.01.05.L20003_1	27	1		Y.01.06.L20003_1	6	10
	Y.01.03.L20003_0	10	1		Y.01.07.L20003_0	28	1		Y.01.07.L20003_0	3	4
59900616	Y.01.03.L20003_0	28	4	59900671	Y.01.05.L20003_0	28	1	59900751	Y.01.06.L20003_0	12	2
59900624	Y.01.03.L20003_0	37	2		Y.01.05.L20003_1	28	1		Y.01.06.L20003_1	12	2
	Y.01.04.L20003_0	8	4		Y.01.07.L20003_0	29	1		Y.01.07.L20003_0	9	2
59900625	Y.01.02.L20003_0	7	4	59900672	Y.01.05.L20003_0	29	1	59900752	Y.01.06.L20003_0	13	1
59900632	Y.01.04.L20003_0	14/2	1		Y.01.05.L20003_1	29	1		Y.01.06.L20003_1	13	1
59900633	Y.01.04.L20003_0	14/1	1		Y.01.07.L20003_0	30	1		Y.01.07.L20003_0	10	1
59900636	Y.01.04.L20003_0	4/2	1	59900676	Y.01.01.L20003_0	24/1	1	59900773	Y.01.01.L20003_0	15	2
59900637	Y.01.04.L20003_0	4/1	1	59900677	Y.01.01.L20003_0	24/2	1	59900782	Y.01.01.L20003_0	30	1
59900640	Y.01.04.L20003_0	18	1	59900686	Y.01.05.L20003_0	45	4	59900787	Y.01.01.L20003_0	47	1
59900641	Y.01.04.L20003_0	19	1		Y.01.05.L20003_1	45	4	59900799	Y.01.03.L20003_0	38	2
59900644	Y.01.04.L20003_0	25	2	59900688	Y.01.05.L20003_0	43	6		Y.01.04.L20003_0	37	1
59900645	Y.01.04.L20003_0	21/1	1		Y.01.05.L20003_1	43	6	59900802	Y.01.02.L20003_0	15	1
59900646	Y.01.04.L20003_0	21/2	1	59900697	Y.01.05.L20003_0	5	2	59900810	Y.01.03.L20003_0	29	2
59900647	Y.01.04.L20003_0	27	1		Y.01.05.L20003_1	5	2	59900814	Y.01.02.L20003_0	25	1
59900649	Y.01.04.L20003_0	30	1	59900699	Y.01.05.L20003_0	35	2		Y.01.03.L20003_0	13	1
59900650	Y.01.04.L20003_0	31	1		Y.01.05.L20003_1	35	2	59901061	E.04.01.L40023_0	12	1
59900651	Y.01.04.L20003_0	32	1	59900725	Y.01.01.L20003_0	26	1	59901087	E.03.01.L40023_0	9,100000	2



SPARE PARTS INSTANCE INDEX

Code	Parts Table	Pos.	Q.ty	Code	Parts Table	Pos.	Q.ty	Code	Parts Table	Pos.	Q.ty
59901087	E.03.02.L40023_0	9,1	2	59905130	Y.01.01.L20003_0	4	1	59905162	Y.01.04.L20003_0	5	2
59901340	A.04.01.L40023_0	13	1	59905131	Y.01.01.L20003_0	5	1	59905163	Y.01.04.L20003_0	6	2
59905006	Y.01.01.L20003_0	9	4	59905132	Y.01.01.L20003_0	6	6	59905164	Y.01.04.L20003_0	15/1	1
	Y.01.05.L20003_0	6	10	59905133	Y.01.01.L20003_0	8/1	1	59905165	Y.01.04.L20003_0	15/2	1
	Y.01.05.L20003_1	6	10	59905134	Y.01.01.L20003_0	8/2	1	59905166	Y.01.04.L20003_0	38	1
	Y.01.06.L20003_0	33	8	59905135	Y.01.01.L20003_0	22	1	59905167	Y.01.04.L20003_0	39/1	1
	Y.01.06.L20003_1	33	8	59905136	Y.01.01.L20003_0	25	1	59905168	Y.01.04.L20003_0	39/2	1
	Y.01.07.L20003_0	21	2	59905137	Y.01.01.L20003_0	27	1	59905169	Y.01.05.L20003_0	1	1
59905009	Y.01.06.L20003_0	26	1	59905138	Y.01.01.L20003_0	32	1	59905170	Y.01.05.L20003_0	2	1
59905013	Y.01.06.L20003_0	22	1	59905139	Y.01.01.L20003_0	39	1	59905171	Y.01.05.L20003_0	3	1
59905014	Y.01.06.L20003_0	23	1	59905140	Y.01.01.L20003_0	40	1	59905172	Y.01.05.L20003_0	4	1
59905015	Y.01.06.L20003_0	24	1	59905141	Y.01.01.L20003_0	42	1		Y.01.05.L20003_1	4	1
59905042	Y.01.04.L20003_0	7	2	59905142	Y.01.01.L20003_0	53	2	59905173	Y.01.05.L20003_0	11	1
59905043	Y.01.02.L20003_0	5	4		Y.01.06.L20003_0	36	10		Y.01.05.L20003_1	11	1
	Y.01.03.L20003_0	39	2		Y.01.06.L20003_1	36	10	59905174	Y.01.05.L20003_0	12	1
	Y.01.04.L20003_0	36	1	59905143	Y.01.02.L20003_0	1	1		Y.01.05.L20003_1	12	1
59905047	Y.01.04.L20003_0	20/1	1	59905144	Y.01.02.L20003_0	2	1	59905175	Y.01.05.L20003_0	13	1
59905048	Y.01.04.L20003_0	20/2	1	59905145	Y.01.02.L20003_0	3	1		Y.01.05.L20003_1	13	1
59905068	Y.01.05.L20003_0	54	1	59905146	Y.01.02.L20003_0	26	1	59905176	Y.01.05.L20003_0	15	1
59905074	Y.01.05.L20003_0	37	2		Y.01.03.L20003_0	14	1		Y.01.05.L20003_1	15	1
59905075	Y.01.05.L20003_0	32	6	59905147	Y.01.07.L20003_0	36	1		Y.01.07.L20003_0	31	1
	Y.01.05.L20003_1	32	6	59905148	Y.01.03.L20003_0	2	1	59905177	Y.01.05.L20003_0	39	1
59905080	Y.01.05.L20003_0	46	4	59905149	Y.01.03.L20003_0	5	1	59905178	Y.01.05.L20003_0	40	1
	Y.01.05.L20003_1	46	4	59905150	Y.01.07.L20003_0	18	1		Y.01.05.L20003_1	40	1
59905088	Y.01.05.L20003_0	58	4	59905151	Y.01.03.L20003_0	24	1	59905179	Y.01.05.L20003_0	41	1
	Y.01.05.L20003_1	58	4	59905152	Y.01.03.L20003_0	26a	1		Y.01.05.L20003_1	41	1
	Y.01.07.L20003_0	37	2	59905153	Y.01.03.L20003_0	26b	1	59905180	Y.01.05.L20003_0	42	1
59905094	Y.01.06.L20003_0	19	4	59905154	Y.01.03.L20003_0	27a	1		Y.01.05.L20003_1	42	1
	Y.01.06.L20003_1	19	4	59905155	Y.01.03.L20003_0	27b	1	59905181	Y.01.05.L20003_0	44	1
	Y.01.07.L20003_0	16	4	59905156	Y.01.03.L20003_0	44	2		Y.01.05.L20003_1	44	1
59905123	Y.01.03.L20003_0	1	1	59905158	Y.01.04.L20003_0	1/1	1	59905182	Y.01.05.L20003_0	48	1
59905124	Y.01.03.L20003_0	3	1	59905159	Y.01.04.L20003_0	1/2	1	59905183	Y.01.05.L20003_0	49	1
59905126	Y.01.04.L20003_0	2	1	59905160	Y.01.04.L20003_0	3/1	1	59905184	Y.01.05.L20003_0	50	1
59905129	Y.01.01.L20003_0	2	1	59905161	Y.01.04.L20003_0	3/2	1	59905185	Y.01.05.L20003_0	51	1



SPARE PARTS INSTANCE INDEX

Code	Parts Table	Pos.	Q.ty	Code	Parts Table	Pos.	Q.ty	Code	Parts Table	Pos.	Q.ty
59905186	Y.01.05.L20003_0	52	1	59905203	Y.01.06.L20003_1	30	1	59905253	Y.01.06.L20003_1	22	1
59905187	Y.01.05.L20003_0	53	1	59905204	Y.01.06.L20003_0	31	1	59905254	Y.01.06.L20003_1	23	1
59905188	Y.01.05.L20003_0	55	1		Y.01.06.L20003_1	31	1	59905255	Y.01.06.L20003_1	24	1
59905189	Y.01.05.L20003_0	56	1	59905205	Y.01.06.L20003_0	32	2	59905256	Y.01.06.L20003_1	25	1
59905190	Y.01.05.L20003_0	57	1		Y.01.06.L20003_1	32	2	59905257	Y.01.06.L20003_1	26	1
	Y.01.05.L20003_1	57	1	59905206	Y.01.06.L20003_0	34a	1	59905258	Y.01.05.L20003_1	62	1
59905191	Y.01.06.L20003_0	1a	1		Y.01.06.L20003_1	34a	1	59905259	Y.01.05.L20003_1	63	1
	Y.01.06.L20003_1	1a	1	59905207	Y.01.06.L20003_0	34b	1	59905324	Y.01.01.L20003_0	1	1
59905192	Y.01.06.L20003_0	1b	1		Y.01.06.L20003_1	34b	1	59905325	Y.01.01.L20003_0	1/1	1
	Y.01.06.L20003_1	1b	1	59905208	Y.01.06.L20003_0	35	2	59905326	Y.01.01.L20003_0	3	1
59905193	Y.01.06.L20003_0	2	1		Y.01.06.L20003_1	35	2	F0150010905	W.01.04.L40023_0	4	1
	Y.01.06.L20003_1	2	1	59905209	Y.01.07.L20003_0	19	1		W.01.05.L40023_0	4	1
59905194	Y.01.06.L20003_0	3a	1	59905210	Y.01.06.L20003_0	37	6		W.01.07.L40023_0	4	1
	Y.01.06.L20003_1	3a	1		Y.01.06.L20003_1	37	6		W.01.08.L40023_0	4	4
59905195	Y.01.06.L20003_0	3b	1	59905211	Y.01.07.L20003_0	1	1		W.01.10.L40023_0	4	4
	Y.01.06.L20003_1	3b	1	59905234	Y.01.05.L20003_1	1	1		W.01.11.L40023_0	4	44
59905196	Y.01.06.L20003_0	4a	1	59905235	Y.01.05.L20003_1	2	1	F0256112009	A.03.01.L40023_0	26	1
	Y.01.06.L20003_1	4a	1	59905236	Y.01.05.L20003_1	34	1	F0256808000	A.05.01.L40023_0	23	1
59905197	Y.01.06.L20003_0	4b	1	59905237	Y.01.05.L20003_1	37	2	F0256809050	A.03.01.L40023_0	8	1
	Y.01.06.L20003_1	4b	1	59905238	Y.01.05.L20003_1	38	1	F0256910009	A.03.01.L40023_0	2	1
	Y.01.07.L20003_0	2	1	59905239	Y.01.05.L20003_1	39	1	F0801050000	M.02.01.L40025_0	25	4
59905198	Y.01.06.L20003_0	10	2	59905240	Y.01.05.L20003_1	48	1		T.01.02.L40025_0	31	2
	Y.01.06.L20003_1	10	2	59905241	Y.01.05.L20003_1	49	1	F0801095000	D.06.01.L40025_0	17	1
	Y.01.07.L20003_0	7	2	59905242	Y.01.05.L20003_1	50	1	F0801116050	D.16.01.L40023_0	17	1
59905199	Y.01.06.L20003_0	14	2	59905243	Y.01.05.L20003_1	51	1		D.16.02.L40023_0	17	1
	Y.01.06.L20003_1	14	2	59905244	Y.01.05.L20003_1	52	1	F0801175050	D.01.01.L40025_0	25	2
	Y.01.07.L20003_0	11	2	59905245	Y.01.05.L20003_1	53	1	F0801175500	D.14.01.L40023_0	9	1
59905200	Y.01.06.L20003_0	27	1	59905246	Y.01.05.L20003_1	54	1		D.14.02.L40023_0	9	1
	Y.01.06.L20003_1	27	1	59905247	Y.01.05.L20003_1	55	1	F0801241010	D.02.01.L40023_0	30	2
59905201	Y.01.06.L20003_0	28	1	59905248	Y.01.05.L20003_1	56	1		D.07.01.L40023_0	1	1
	Y.01.06.L20003_1	28	1	59905249	Y.01.05.L20003_1	59	1	F0801244080	D.14.01.L40023_0	12	1
59905202	Y.01.06.L20003_0	29	1	59905250	Y.01.05.L20003_1	64	1		D.14.02.L40023_0	12	1
	Y.01.06.L20003_1	29	1	59905251	Y.01.05.L20003_1	65	1	F0801264050	D.15.01.L40023_0	21	2
59905203	Y.01.06.L20003_0	30	1	59905252	Y.01.05.L20003_1	3	1	F0801266000	D.07.01.L40023_0	14	4

SPARE PARTS INSTANCE INDEX

Code	Parts Table	Pos.	Q.ty	Code	Parts Table	Pos.	Q.ty	Code	Parts Table	Pos.	Q.ty
F0801266050	D.07.01.L40023_0	8	2	F0810510000	D.04.01.L40025_0	8	2	F0814627000	D.03.01.L40023_0	10	1
F0801280100	D.08.01.L40023_0	9	1		D.05.01.L40025_0	17	2	F0814647000	C.02.01.L40025_0	8	6
F0801282000	L.02.01.L40025_0	22	4		D.06.01.L40025_0	12	1	F0814695000	C.03.01.L40025_0	4	14
	L.02.02.L40025_0	22	10	F0812525100	D.14.01.L40023_0	7	1		T.03.01.L40023_0	5	10
	L.02.03.L40025_0	22	12		D.14.02.L40023_0	7	1		T.03.03.L40023_0	4	10
	L.02.04.L40025_0	22	12	F0812599090	D.14.01.L40023_0	8	1		T.03.04.L40023_0	4	10
	L.02.06.L40025_0	22	12		D.14.02.L40023_0	8	1	F0814794000	B.03.01.L40025_0	9	2
	L.02.07.L40025_0	22	12	F0812631000	D.11.01.L40025_0	3	1	F0817500470	D.10.01.L40023_0	4	3
	L.02.08.L40025_0	22	4	F0812686100	D.08.01.L40023_0	14	1		D.10.02.L40023_0	4	3
F0801297050	D.14.01.L40023_0	24	2	F0812689000	D.09.01.L40023_0	12	2	F0817640003	D.10.01.L40023_0	29	3
	D.14.02.L40023_0	24	2	F0812689050	D.15.01.L40023_0	25	1		D.10.02.L40023_0	29	3
	L.01.01.L40023_0	13	2	F0812732080	D.08.01.L40023_0	16	1	F0819180080	D.02.01.L40023_0	25	2
F0801331000	D.15.01.L40023_0	23	1	F0812736010	D.07.01.L40023_0	15	1	F0822537050	D.03.01.L40023_0	3	1
F0801331050	D.07.01.L40023_0	19	1		D.15.01.L40023_0	7	1		D.05.01.L40025_0	4	1
F0801346000	D.12.01.L40023_0	6	2	F0812737000	D.07.01.L40023_0	5	2	F0824022000	A.03.01.L40023_0	28	3
F0801346200	D.07.01.L40023_0	12	1	F0812747000	C.02.01.L40025_0	14	2		F.04.01.L40023_0	29	1
F0801408000	D.02.01.L40023_0	4	4	F0812750000	D.07.01.L40023_0	2	1	F0824110000	F.01.02.L40025_0	32	1
F0802088050	D.02.01.L40023_0	27	1	F0812871030	D.08.01.L40023_0	21	2		L.02.01.L40025_0	31	14
F0802187050	D.02.01.L40023_0	2	1	F0812895000	C.01.01.L40025_0	9	2		L.02.02.L40025_0	31	26
F0802190010	D.01.01.L40025_0	8	1		C.01.02.L40025_0	5	2		L.02.03.L40025_0	31	27
F0802228005	D.14.01.L40023_0	25	1		D.11.01.L40025_0	13	2		L.02.04.L40025_0	31	27
	D.14.02.L40023_0	25	1	F0812899000	D.14.01.L40023_0	5	2		L.02.06.L40025_0	31	27
F0802700150	D.12.01.L40023_0	1	2		D.14.02.L40023_0	5	2		L.02.07.L40025_0	31	27
F0803072050	F.04.01.L40023_0	4	1	F0812918050	D.08.01.L40023_0	13	1		L.02.08.L40025_0	31	16
F0803186000	D.04.01.L40025_0	5	4		D.09.01.L40023_0	8	1	F0824113000	E.04.01.L40023_0	13	1
F0803199010	D.14.01.L40023_0	28	1	F0812951200	D.14.01.L40023_0	19	1	F0824141000	F.01.02.L40025_0	33	4
	D.14.02.L40023_0	28	1		D.14.02.L40023_0	19	1		L.02.01.L40025_0	44	2
	F.04.01.L40023_0	3	1	F0812973000	D.12.01.L40023_0	2	4		L.02.02.L40025_0	44	5
F0803209000	D.13.01.L40023_0	2	1	F0814545000	A.03.01.L40023_0	17	2		L.02.03.L40025_0	44	7
F0806533000	D.03.01.L40023_0	17	1	F0814547000	B.02.01.L40023_0	11	6		L.02.04.L40025_0	44	6
	D.05.01.L40025_0	10	1		B.03.01.L40025_0	20	6		L.02.06.L40025_0	44	7
F0808060100	T.03.01.L40023_0	9	1		B.03.02.L40025_0	9	8		L.02.07.L40025_0	44	6
F0810510000	A.03.01.L40023_0	29	3		B.05.01.L40025_0	33	8		L.02.08.L40025_0	44	2
	D.03.01.L40023_0	6	1		F.01.02.L40025_0	27	2	F0824185000	F.01.01.L40025_0	9	2

SPARE PARTS INSTANCE INDEX

Code	Parts Table	Pos.	Q.ty	Code	Parts Table	Pos.	Q.ty	Code	Parts Table	Pos.	Q.ty
F0824185000	F.01.02.L40025_0	9	2	F0828468050	D.16.02.L40023_0	19	1	F0842505030	L.02.07.L40025_0	26	1
F0825115010	B.08.01.L40025_0	23	1	F0831065000	B.01.01.L40023_0	13	1		L.02.08.L40025_0	26	1
	B.08.02.L40025_0	23	1		B.01.02.L40023_0	13	1	F0843107000	F.04.01.L40023_0	23	1
	B.08.03.L40025_0	23	1		B.01.03.L40023_0	13	1		L.02.01.L40025_0	38	2
F0825400060	B.08.01.L40025_0	22	1	F0835023000	L.02.01.L40025_0	42	1		L.02.02.L40025_0	38	2
	B.08.02.L40025_0	22	1		L.02.02.L40025_0	42	3		L.02.03.L40025_0	38	2
	B.08.03.L40025_0	22	1		L.02.03.L40025_0	42	4		L.02.04.L40025_0	38	2
F0825403050	B.08.01.L40025_0	11	1		L.02.04.L40025_0	42	4		L.02.06.L40025_0	38	2
	B.08.02.L40025_0	11	1		L.02.06.L40025_0	42	4		L.02.07.L40025_0	38	2
	B.08.03.L40025_0	11	1		L.02.07.L40025_0	42	4		L.02.08.L40025_0	38	2
F0825414000	B.05.01.L40025_0	30	1		L.02.08.L40025_0	42	1	F0843109020	L.02.01.L40025_0	30	5
F0825416000	B.08.03.L40025_0	26	4	F0835040000	L.02.01.L40025_0	43	2		L.02.02.L40025_0	30	9
F0825438000	E.03.01.L40023_0	4	1		L.02.02.L40025_0	43	4		L.02.03.L40025_0	30	9
	E.03.02.L40023_0	4	1		L.02.03.L40025_0	43	4		L.02.04.L40025_0	30	9
F0825488000	D.05.01.L40025_0	21	1		L.02.04.L40025_0	43	5		L.02.06.L40025_0	30	9
F0825493000	E.03.01.L40023_0	14	1		L.02.06.L40025_0	43	4		L.02.07.L40025_0	30	9
F0825500200	B.08.01.L40025_0	19	1		L.02.07.L40025_0	43	5		L.02.08.L40025_0	30	5
	B.08.02.L40025_0	19	1	F0835040030	L.02.02.L40025_0	51	1	F0843116000	F.01.02.L40025_0	28	2
	B.08.03.L40025_0	19	1		L.02.03.L40025_0	51	2		L.02.02.L40025_0	45	1
F0825500210	B.08.01.L40025_0	20	1		L.02.04.L40025_0	51	1		L.02.03.L40025_0	45	2
	B.08.02.L40025_0	20	1		L.02.06.L40025_0	51	2		L.02.04.L40025_0	45	1
	B.08.03.L40025_0	20	1		L.02.07.L40025_0	51	1		L.02.06.L40025_0	45	2
F0825980030	L.02.01.L40025_0	25	2	F0838475000	C.02.01.L40025_0	7	2		L.02.07.L40025_0	45	1
	L.02.02.L40025_0	25	5	F0838535050	C.02.01.L40025_0	6	4	F0843526000	B.08.01.L40025_0	16	4
	L.02.03.L40025_0	25	6	F0838610000	T.03.01.L40023_0	4	10		B.08.02.L40025_0	16	4
	L.02.04.L40025_0	25	6		T.03.03.L40023_0	3	10		B.08.03.L40025_0	16	4
	L.02.06.L40025_0	25	6		T.03.04.L40023_0	3	10		F.04.01.L40023_0	6	1
	L.02.07.L40025_0	25	6	F0838660000	C.03.01.L40025_0	11	8	F0843561000	E.04.01.L40023_0	10	2
	L.02.08.L40025_0	25	2	F0838660100	C.03.01.L40025_0	12	6		T.01.02.L40025_0	34	4
F0826016000	T.01.02.L40025_0	26	4	F0842505030	L.02.01.L40025_0	26	1	F0843570000	A.01.01.L40023_0	22	2
F0826056000	C.02.01.L40025_0	13	2		L.02.02.L40025_0	26	1		A.02.01.L40023_0	24	1
	L.01.01.L40023_0	9	1		L.02.03.L40025_0	26	1		A.03.01.L40023_0	6	6
	T.01.02.L40025_0	3	2		L.02.04.L40025_0	26	1		B.01.01.L40023_0	23	6
F0828468050	D.16.01.L40023_0	19	1		L.02.06.L40025_0	26	1		B.01.02.L40023_0	23	6

SPARE PARTS INSTANCE INDEX

Code	Parts Table	Pos.	Q.ty	Code	Parts Table	Pos.	Q.ty	Code	Parts Table	Pos.	Q.ty
F0843570000	B.01.03.L40023_0	23	6	F0843643060	D.05.01.L40025_0	7	1	F0843755000	L.02.04.L40025_0	12	6
	B.02.01.L40023_0	6	4		D.06.01.L40025_0	14	2		L.02.06.L40025_0	12	6
	B.04.01.L40025_0	25	6		D.14.01.L40023_0	36	2		L.02.07.L40025_0	12	6
	B.05.01.L40025_0	25	8		D.16.01.L40023_0	3	3		L.02.08.L40025_0	12	2
	D.03.01.L40023_0	13	2		D.16.02.L40023_0	3	3		T.01.02.L40025_0	5	2
	D.16.02.L40023_0	29	1		F.01.01.L40025_0	3	7		T.01.02.L40025_0	13	6
	E.03.02.L40023_0	15	1		F.01.02.L40025_0	3	7	F0843771000	F.04.01.L40023_0	16	4
	E.04.01.L40023_0	5	8		L.02.01.L40025_0	5	3		M.02.01.L40025_0	13	1
	F.04.01.L40023_0	12	2		L.02.02.L40025_0	5	7	F0843813000	B.04.01.L40025_0	39	1
	L.02.01.L40025_0	24	3		L.02.03.L40025_0	5	7	F0843818000	L.02.01.L40025_0	20	2
	L.02.02.L40025_0	24	4		L.02.04.L40025_0	5	7		L.02.02.L40025_0	20	2
	L.02.03.L40025_0	24	4		L.02.06.L40025_0	5	7		L.02.03.L40025_0	20	2
	L.02.04.L40025_0	24	4		L.02.07.L40025_0	5	7		L.02.04.L40025_0	20	2
	L.02.06.L40025_0	24	4		L.02.08.L40025_0	5	4		L.02.06.L40025_0	20	2
	L.02.07.L40025_0	24	4		M.02.01.L40025_0	3	13		L.02.07.L40025_0	20	2
	L.02.08.L40025_0	24	3		T.01.02.L40025_0	37	2	F0843843060	B.05.01.L40025_0	3	4
	M.02.01.L40025_0	12	2	F0843696000	A.05.01.L40023_0	22	2		T.03.01.L40023_0	6	10
F0843641000	D.14.01.L40023_0	30	1	F0843711000	A.01.01.L40023_0	12	1		T.03.03.L40023_0	5	10
	D.14.02.L40023_0	30	1	F0843755000	A.01.01.L40023_0	4	2		T.03.04.L40023_0	5	10
F0843643060	A.01.01.L40023_0	17	8		A.03.01.L40023_0	11	2	F0843907000	F.04.01.L40023_0	24	2
	A.02.01.L40023_0	12	2		A.05.01.L40023_0	13	4		L.02.01.L40025_0	39	4
	A.03.01.L40023_0	15	1		A.06.01.L40023_0	3	2		L.02.02.L40025_0	39	4
	A.04.01.L40023_0	4	1		B.04.01.L40025_0	31	4		L.02.03.L40025_0	39	4
	A.06.01.L40023_0	8	1		B.05.01.L40025_0	11	2		L.02.04.L40025_0	39	4
	B.02.01.L40023_0	21	2		B.08.01.L40025_0	7	4		L.02.06.L40025_0	39	4
	B.02.01.L40023_0	33	2		B.08.02.L40025_0	7	4		L.02.07.L40025_0	39	4
	B.03.01.L40025_0	30	6		B.08.03.L40025_0	7	4		L.02.08.L40025_0	39	4
	B.03.02.L40025_0	7	4		D.05.01.L40025_0	20	4	F0843921030	B.01.01.L40023_0	31	2
	B.03.02.L40025_0	20	6		D.06.01.L40025_0	36	1		B.01.02.L40023_0	31	2
	B.04.01.L40025_0	8	14		F.01.01.L40025_0	13	2		B.01.03.L40023_0	31	2
	B.05.01.L40025_0	17	8		F.01.02.L40025_0	13	2	F0843948000	F.04.01.L40023_0	15	1
	B.05.01.L40025_0	37	2		L.02.01.L40025_0	12	2		L.01.01.L40023_0	28	1
	D.02.01.L40023_0	20	2		L.02.02.L40025_0	12	6	F0843993060	W.01.01.L40023_0	9	3
	D.03.01.L40023_0	16	1		L.02.03.L40025_0	12	6		W.01.02.L40023_0	9	3

SPARE PARTS INSTANCE INDEX

Code	Parts Table	Pos.	Q.ty	Code	Parts Table	Pos.	Q.ty	Code	Parts Table	Pos.	Q.ty
F0843993060	W.01.04.L40023_0	9	3	F0848681000	W.01.11.L40023_0	5	4	F0852550200	L.02.07.L40025_0	27/03	1
	W.01.05.L40023_0	9	3	F0848681500	W.01.08.L40023_0	5	4		L.02.08.L40025_0	27	1
	W.01.06.L40023_0	9	3	F0848681600	W.01.07.L40023_0	5	1	F0852550220	L.02.02.L40025_0	27/02	1
	W.01.07.L40023_0	9	3	F0848844000	W.01.06.L40023_0	4	1		L.02.03.L40025_0	27/02	1
	W.01.08.L40023_0	9	3	F0848855000	W.01.02.L40023_0	4	1		L.02.04.L40025_0	27/02	1
	W.01.09.L40023_0	9	3	F0848887000	W.01.01.L40023_0	4	4		L.02.06.L40025_0	27/02	1
	W.01.10.L40023_0	9	3		W.01.09.L40023_0	4	1		L.02.07.L40025_0	27/02	1
	W.01.11.L40023_0	9	3	F0849500001	A.05.01.L40023_0	1,1	1	F0852550230	L.02.02.L40025_0	27/01	2
F0844030070	D.16.01.L40023_0	26	1	F0849500002	A.05.01.L40023_0	1,2	1		L.02.03.L40025_0	27/01	3
	D.16.02.L40023_0	26	1	F0851180000	D.10.01.L40023_0	17	5		L.02.04.L40025_0	27/01	3
	E.04.01.L40023_0	17	1		D.10.02.L40023_0	17	5		L.02.06.L40025_0	27/01	3
F0844150000	T.01.02.L40025_0	39	2	F0851226000	D.15.01.L40023_0	31	1		L.02.07.L40025_0	27/01	3
	W.01.01.L40023_0	3	12	F0851260000	D.13.01.L40023_0	12	1	F0852578060	D.15.01.L40023_0	1,1	2
	W.01.02.L40023_0	3	3	F0851267050	D.13.01.L40023_0	6	1		F.04.01.L40023_0	27	1
	W.01.04.L40023_0	3	3	F0851486000	L.01.01.L40023_0	22	1	F0861830100	B.02.01.L40023_0	17	4
	W.01.05.L40023_0	3	3		T.01.02.L40025_0	42	7	F0861867050	A.05.01.L40023_0	4	6
	W.01.06.L40023_0	3	3		T.03.01.L40023_0	8	4		E.01.01.L40023_0	4	16
	W.01.07.L40023_0	3	3	F0851497000	B.01.01.L40023_0	34	1	F0861941000	E.03.01.L40023_0	5	3
	W.01.08.L40023_0	3	3		B.01.02.L40023_0	34	1		E.03.02.L40023_0	5	3
	W.01.09.L40023_0	3	3		B.01.03.L40023_0	18	1	F0861973100	L.02.01.L40025_0	15	8
	W.01.10.L40023_0	3	3		T.03.01.L40023_0	10	1		L.02.02.L40025_0	15	8
	W.01.11.L40023_0	3	3	F0852538010	C.02.01.L40025_0	2	1		L.02.03.L40025_0	15	8
F0844200050	F.04.01.L40023_0	8	1	F0852550100	L.02.01.L40025_0	18	2		L.02.04.L40025_0	15	8
F0844273090	C.01.01.L40025_0	4	1		L.02.02.L40025_0	18	5		L.02.06.L40025_0	15	8
	D.12.01.L40023_0	15	2		L.02.03.L40025_0	18	6		L.02.07.L40025_0	15	8
	E.04.01.L40023_0	15	1		L.02.04.L40025_0	18	6		L.02.08.L40025_0	15	8
F0847434000	D.10.01.L40023_0	23	5		L.02.06.L40025_0	18	6	F0862090000	D.12.01.L40023_0	8	6
	D.10.02.L40023_0	23	5		L.02.07.L40025_0	18	6		L.02.01.L40025_0	4	4
	D.16.01.L40023_0	10	1		L.02.08.L40025_0	18	2	F0862129000	B.05.01.L40025_0	41	1
	D.16.02.L40023_0	10	1	F0852550200	L.02.01.L40025_0	27	1		L.02.01.L40025_0	23	1
F0848635000	W.01.01.L40023_0	5	4		L.02.02.L40025_0	27/03	1		L.02.02.L40025_0	23	2
F0848648000	W.01.09.L40023_0	5	1		L.02.03.L40025_0	27/03	2		L.02.03.L40025_0	23	2
F0848655000	W.01.02.L40023_0	5	1		L.02.04.L40025_0	27/03	1		L.02.04.L40025_0	23	2
F0848672100	W.01.06.L40023_0	5	1		L.02.06.L40025_0	27/03	2		L.02.06.L40025_0	23	2

SPARE PARTS INSTANCE INDEX

Code	Parts Table	Pos.	Q.ty
F0862129000	L.02.07.L40025_0	23	2
F0862345000	F.04.01.L40023_0	11	2
F0862448100	D.14.01.L40023_0	29	1
	D.14.02.L40023_0	29	1
	F.04.01.L40023_0	28	1
F0862479020	B.03.01.L40025_0	27	2
	B.03.02.L40025_0	16	2
F0862479034	B.04.01.L40025_0	17	8
F0862495010	B.05.01.L40025_0	15	2
F0862593050	C.02.01.L40025_0	31	1
F0862655000	D.12.01.L40023_0	13	6
F0862657000	D.01.01.L40025_0	3	1
F0862694000	D.10.01.L40023_0	28	4
F0863079000	B.04.01.L40025_0	35	2
F0863105000	D.10.01.L40023_0	22	2
	D.10.02.L40023_0	22	2
F0863208050	F.01.02.L40025_0	26	2
F0863267050	C.02.01.L40025_0	22	8
	D.01.01.L40025_0	14	8
	D.11.01.L40025_0	5	8
F0863359000	C.02.01.L40025_0	5	2
	L.01.01.L40023_0	7	4
F0864290010	B.01.01.L40023_0	27	2
	B.01.02.L40023_0	27	2
	B.01.03.L40023_0	27	2
F0864314000	W.01.01.L40023_0	8	3
	W.01.02.L40023_0	8	3
	W.01.04.L40023_0	8	3
	W.01.05.L40023_0	8	3
	W.01.06.L40023_0	8	3
	W.01.07.L40023_0	8	3
	W.01.08.L40023_0	8	3
	W.01.09.L40023_0	8	3
	W.01.10.L40023_0	8	3

Code	Parts Table	Pos.	Q.ty
F0864314000	W.01.11.L40023_0	8	3
F0864335020	B.01.01.L40023_0	26	1
	B.01.02.L40023_0	26	1
	B.01.03.L40023_0	26	1
F0864377000	B.03.01.L40025_0	8	2
F0864410500	W.01.01.L40023_0	2	12
	W.01.02.L40023_0	2	3
	W.01.04.L40023_0	2	3
	W.01.05.L40023_0	2	3
	W.01.06.L40023_0	2	3
	W.01.07.L40023_0	2	3
	W.01.08.L40023_0	2	3
	W.01.09.L40023_0	2	3
	W.01.10.L40023_0	2	3
	W.01.11.L40023_0	2	3
F0865040000	B.08.01.L40025_0	1	1
	B.08.02.L40025_0	1	1
	B.08.03.L40025_0	1	1
F0865040020	B.08.01.L40025_0	2	1
	B.08.02.L40025_0	2	1
	B.08.03.L40025_0	2	1
P000000005008	D.10.02.L40023_0	28	4
P000000007984	C.02.01.L40025_0	1.2	1
P000000309112	M.02.01.L40025_0	28	2
P236331000000	B.04.01.L40025_0	4	4
P238105000000	B.08.01.L40025_0	5	1
	B.08.02.L40025_0	5	1
	B.08.03.L40025_0	5	1
P238106000000	A.02.01.L40023_0	16	1
P241171000000	L.02.01.L40025_0	34	1
	L.02.02.L40025_0	34	1
	L.02.03.L40025_0	34	1
	L.02.04.L40025_0	34	1
	L.02.06.L40025_0	34	1

Code	Parts Table	Pos.	Q.ty
P241171000000	L.02.07.L40025_0	34	1
	L.02.08.L40025_0	34	1
P254124000000	F.04.01.L40023_0	22	6
P281207000000	F.04.01.L40023_0	26	2
P439149000000	B.03.01.L40025_0	7	2
P453524010000	D.04.01.L40025_0	14	2
P470330000000	D.14.01.L40023_0	31	1
	D.14.02.L40023_0	31	1
P470433000000	D.14.01.L40023_0	32	1
	D.14.02.L40023_0	32	1
P917280000000	B.03.01.L40025_0	6	2